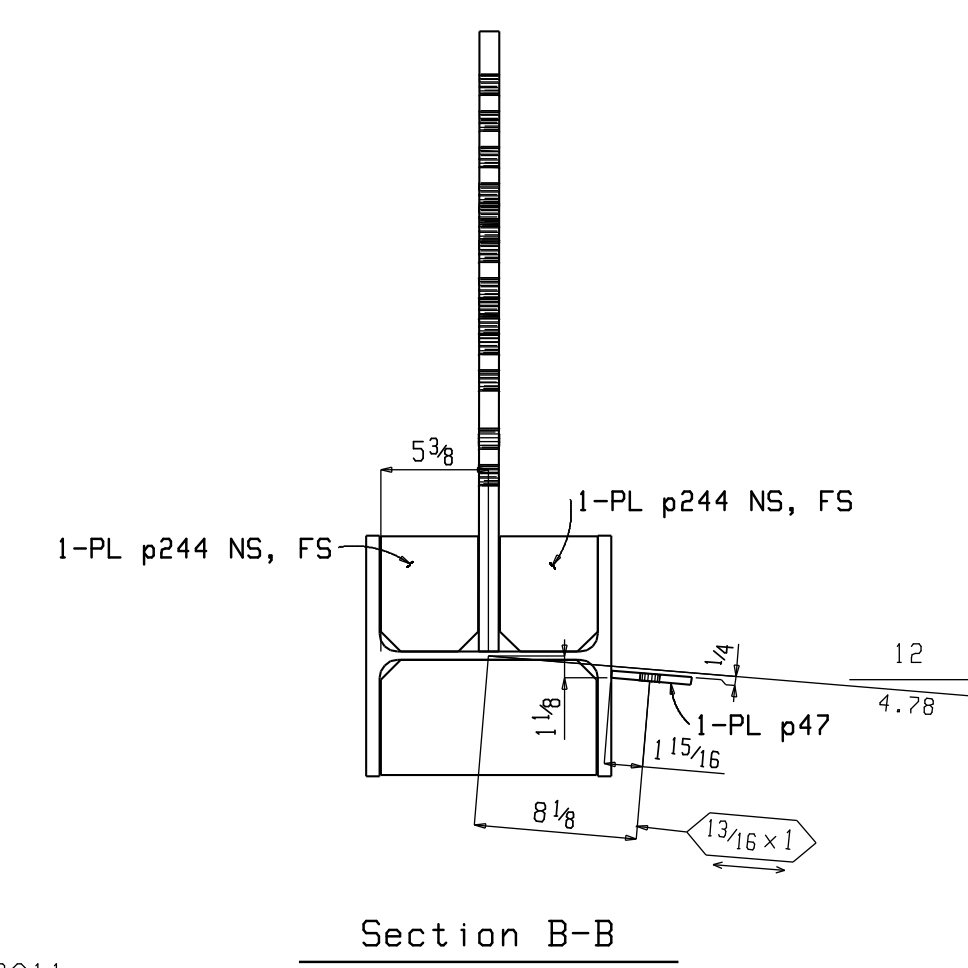
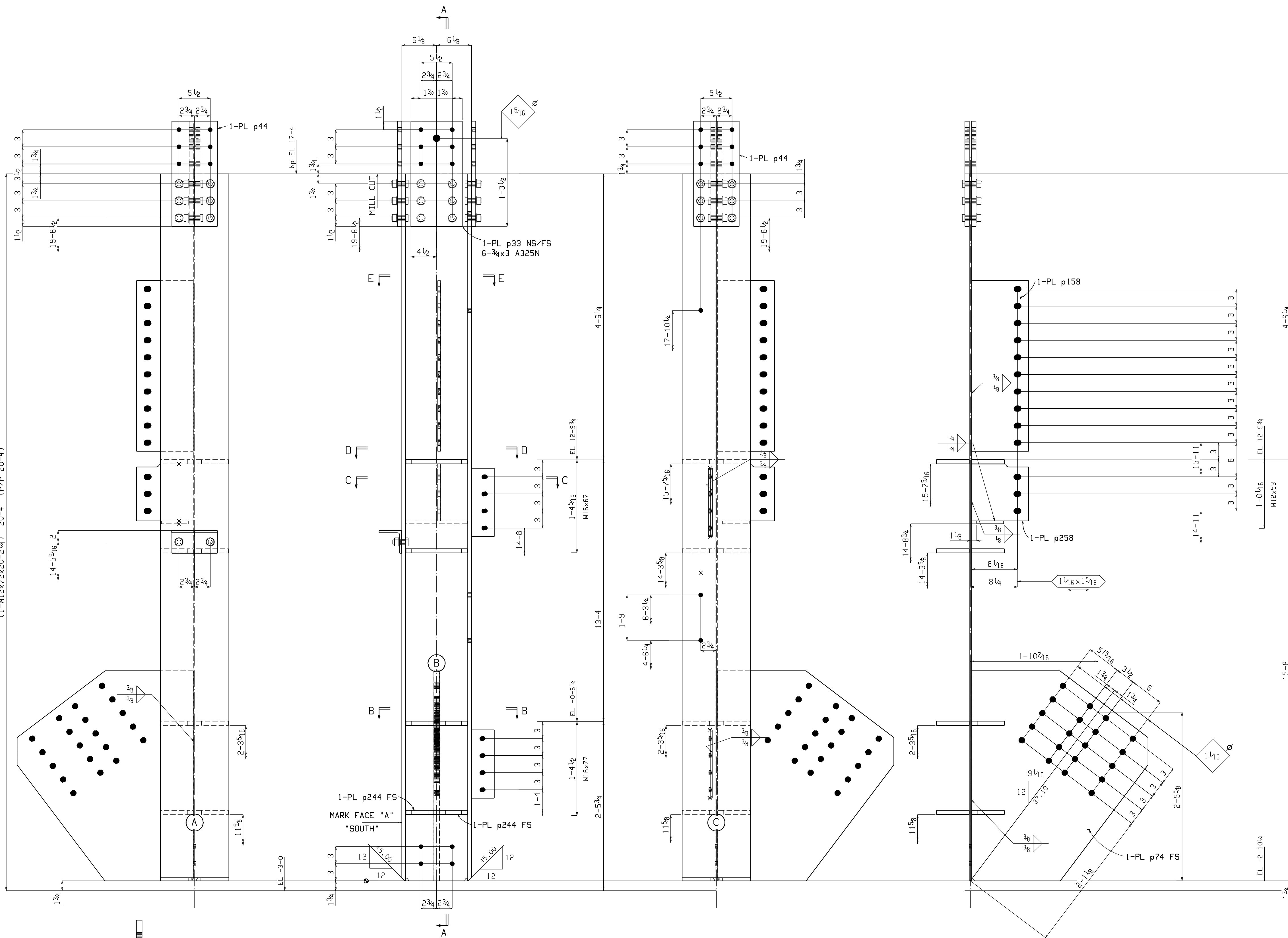


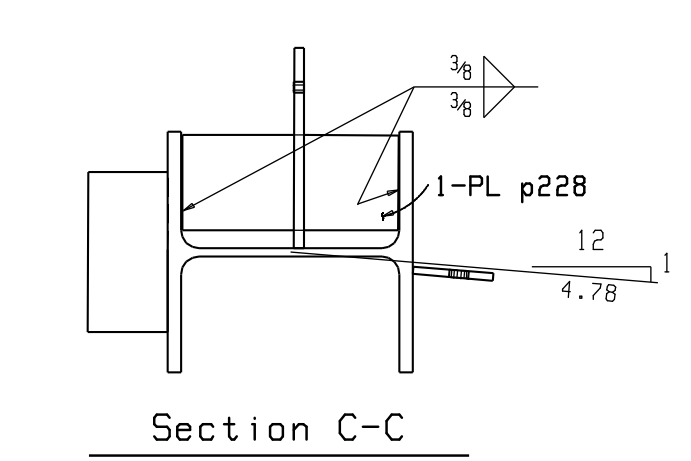
(1-112x72x20-2 1/4) 20-4 (P/P 20-4)



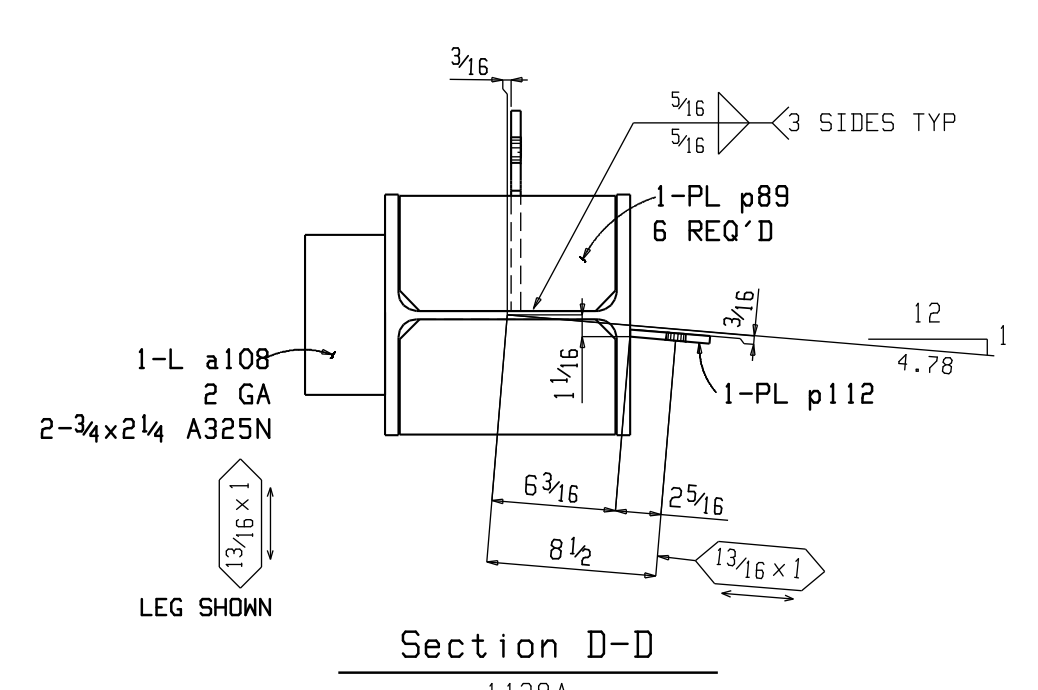
Section B-B
1128A

ONE COLUMN 1128A

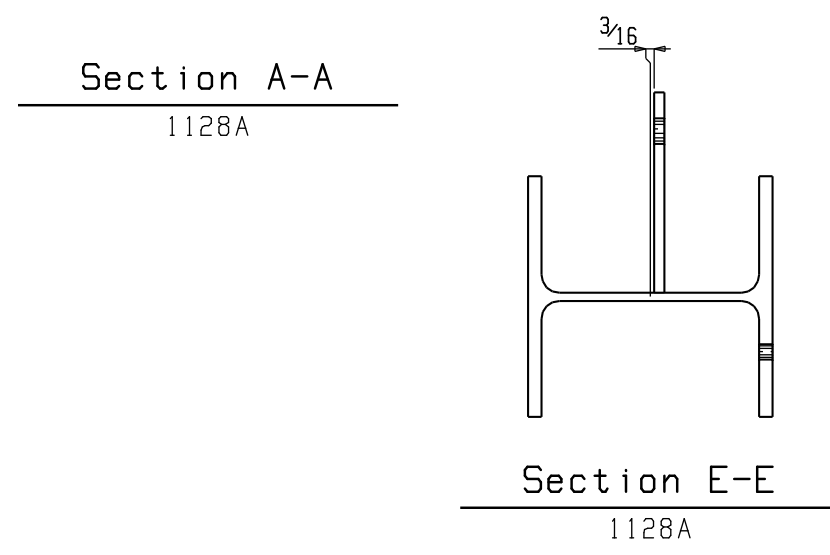
W 12 1/4 x 7 1/8	FIELD BOLTS:
AT GRID: 23 & D.7	12-3/4 x 2 1/2 A325N
	F 12 1/16 x 1 1/16 6-3/4 x 3 A325N
	K 1 3/16 x 1 1/8 4-TC 3/4 x 3 A325N
	SHOP BOLTS (Unless Noted):
	12-3/4 x 2 1/2 A325N



Section C-C
1128A



Section D-D
1128A



Section E-E
1128A

BILL OF MATERIAL

Quantity	Quantity	Piece	Weight	Weight	Minor	Steel
Unit	Total	Description	Mark	Length	Unit	Total
		ONE COLUMN	1128A		2110	2110
1	1	W12x72		20	2 1/4	1454
1	1	L4x4x3/8		0	8	7
1	1	PL1x31		3	0 15/16	324
2	2	PL3/4x9		1	6 1/2	35
2	2	PL3/4x8		1	6 1/2	31
6	6	PL3/4x5 3/4		0	10 13/16	13
4	4	PL3/4x4 1/8		0	5 3/4	6
1	1	PL1/2x10		2	6	43
1	1	PL1/2x10		0	10	14
1	1	PL1/2x4 1/4		0	10 13/16	7
1	1	PL3/8x4		1	0	5
1	1	PL3/8x4		1	0	5
6	6	3/4 Dia A325N		0	3	1
12	12	3/4 Dia A325N		0	2 1/2	1
2	2	3/4 Dia A325N		0	2 1/4	1

1. ACCUMULATIVE DIMENSIONS ARE TAKEN FROM THE \odot LINE
2. ALL GAS RE-ENTRANT CUTS WILL HAVE A RADIUS OF $1/2$ " U.N.O.
3. ALL CONN. MAT. A36 (U.N.), PIPE A53, TUBE A500 Gr.B
4. TOLERANCES-AISC UNLESS NOTED
5. DEBURRING OF HOLES IS REQUIRED IF BURR EXCEEDS $1/16$ "
6. \otimes INDICATES SIDE OF PLATE SHOP IS TO PAINT A SPOT ON FOR ERECTION PURPOSES.

ORANGE COUNTY IRONWORKS LLC
 27 STONE CASTLE ROAD ROCK TAVERN N.Y. 12575
 845-564-8421

PRINT RECORD			STRUCTURE WASHINGTON BRIDGE VIEW	
QUANTITY	DATE	COPY	LOCATION	BRONX, NY
			CONTRACTOR	ARTEC CONSTRUCTION
			OWNER	WASHINGTON BRIDGE VIEW

Conns	Unless Noted	ENG. OR ARCH'T	DANDOIS		
Holes	1 3/16 Unless Noted	REV	DATE	DESCRIPTION	PROJ NO.
Paint	NO PAINT UNO	1	04-11-08	RELEASED FOR APPROVAL	8028
Made	JPT Date 04-09-08	2	08-15-08	RELEASED FOR FABRICATION	1128
Chk'd	LRH Date 04-10-08	3			
		4			