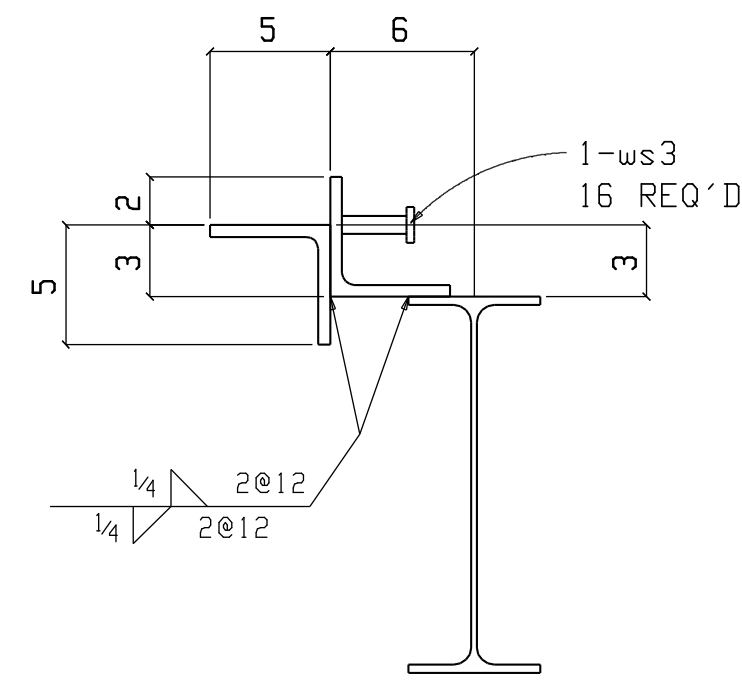
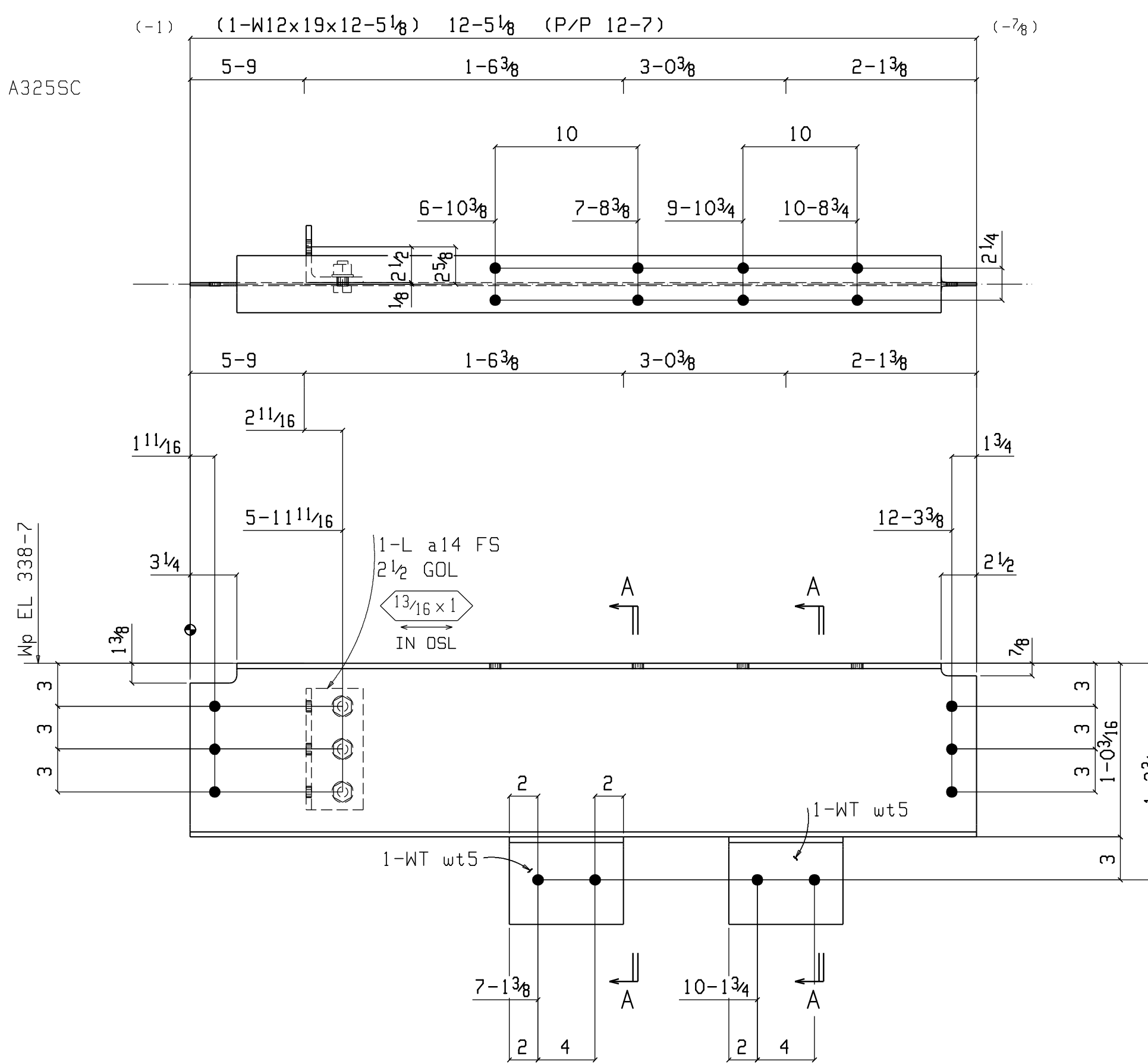


ONE BEAM 1217A

FIELD BOLTS:
 8-TC 3/4x1 3/4 A325SS
 SHOP BOLTS:
 15-3/4x1 3/4 A325SS

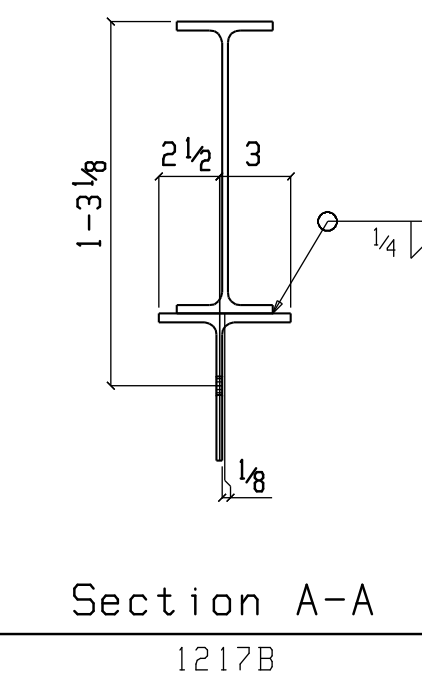


Section A-A
1217A

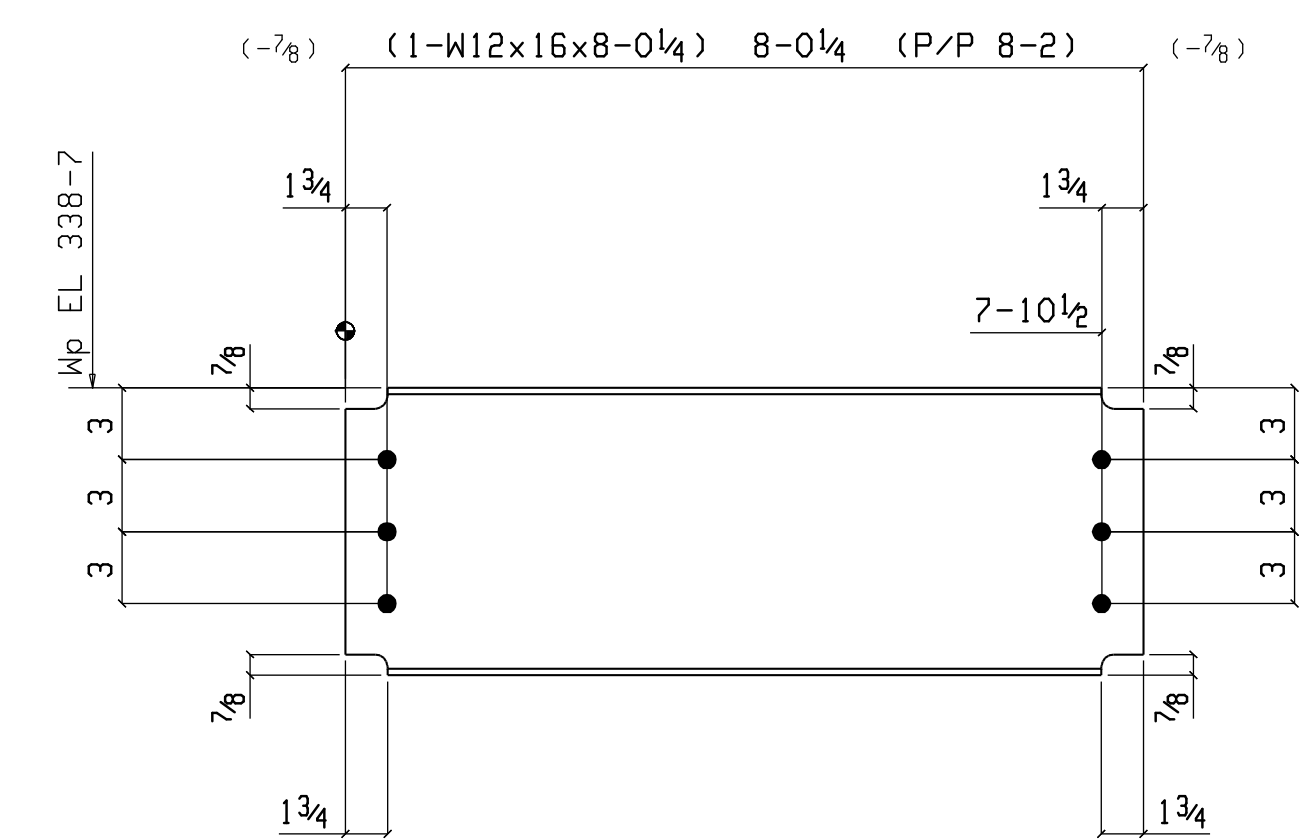


ONE BEAM 1217B

FIELD BOLTS:
 8-TC 3/4x2 1/4 A325SS
 6-TC 3/4x1 3/4 A325SS
 SHOP BOLTS:
 3-3/4x1 3/4 A325SS



Section A-A
1217B



ONE BEAM 1217D

FIELD BOLTS:
 6-TC 3/4x1 3/4 A325SS
 SHOP BOLTS:
 15-3/4x1 3/4 A325SS

BILL OF MATERIAL

Quantity	Unit	Description	Piece Mark	Length	Weight Unit	Weight Total	Remarks	Minor Mark	Steel Grade
ONE BEAM 1217A									
1		1 W16x26	1217A	24	596	1190		1217A	A992
1		1 L5x5x1/2		8	2	132		a33	A36
1		1 L5x5x1/2		8	2	132		a84	A36
1		1 L5x5x1/2		7	4	119		a21	A36
1		1 L5x5x1/2		7	4	119		a34	A36
5		5 L4x4x3/8		0	8 1/2	7	35	a14	A36
16		16 WS3		0	3	0	8	ws3	A108
15		15 3/4 Dia A325SS		0	1 3/4	1	9		1HD WASH
FIELD BOLTS									
8		TC 3/4 Dia A325SS		0	1 3/4				1HD WASH
ONE BEAM 1217B									
1		1 W12x19	1217B	12	5 1/2	236		1217B	A992
2		2 W16x13		0	8	9	17	w15	A992
1		1 L4x4x3/8		0	8 1/2	7	7	a14	A36
3		3 3/4 Dia A325SS		0	1 3/4	1	2		1HD WASH
FIELD BOLTS									
8		TC 3/4 Dia A325SS		0	2 1/4				1HD WASH
6		TC 3/4 Dia A325SS		0	1 3/4				1HD WASH
ONE BEAM 1217D									
1		1 W12x16	1217D	8	0 1/4	128		1217D	A992
FIELD BOLTS									
6		TC 3/4 Dia A325SS		0	1 3/4				1HD WASH

- ACCUMULATIVE DIMENSIONS ARE TAKEN FROM THE \odot LINE
- ALL GAS RE-ENTRANT CUTS WILL HAVE A RADIUS OF 1/2" U.N.O.
- ALL CONN. MAT. A36 (U.N.), PIPE A53, TUBE A500 Gr.B
- TOLERANCES-AISC UNLESS NOTED
- DEBURRING OF HOLES IS REQUIRED IF BURR EXCEEDS 1/16"
- ⊗ INDICATES SIDE OF PLATE SHOP IS TO PAINT A SPOT ON FOR ERECTION PURPOSES.
- NO PAINT WITHIN 3" OF OPEN HOLES
- SPLICE WELD, FLAT PLATE, BENT PLATE OR ANGLES WHERE NEEDED

ORANGE COUNTY IRONWORKS LLC

36 MAYBROOK ROAD MONTGOMERY N.Y. 12549
 845-769-3000

PRINT RECORD			STRUCTURE HUDSON VALLEY MEDICAL BUILDING				
QUANTITY	DATE	COPY	LOCATION CORTLANDT MANOR, NY				
			CONTRACTOR BARR & BARR, INC.				
			OWNER HUDSON VALLEY MEDICAL BUILDING, LLC				
CONNS A36 Unless Noted			ENG. OR ARCH'T PALLANTE DESIGN				
Holes 1 3/16 Unless Noted			REV DATE DESCRIPTION PROJ NO. SHEET NO.				
Surf.Prep SP-3			1	09-24-10	RELEASED FOR APPROVAL	10100	1217
D.F.T. 2.0 mils			2	11-04-10	RELEASED FOR FAB		
Paint STD. SHOP PRIMER UNO			3				
Made JL Date 09-20-10			4				
Chk'd JPT Date 09-21-10							

SHOP NOTE:
 NO PAINT TOP FLANGE OF
 ALL BEAMS ON THIS SHEET