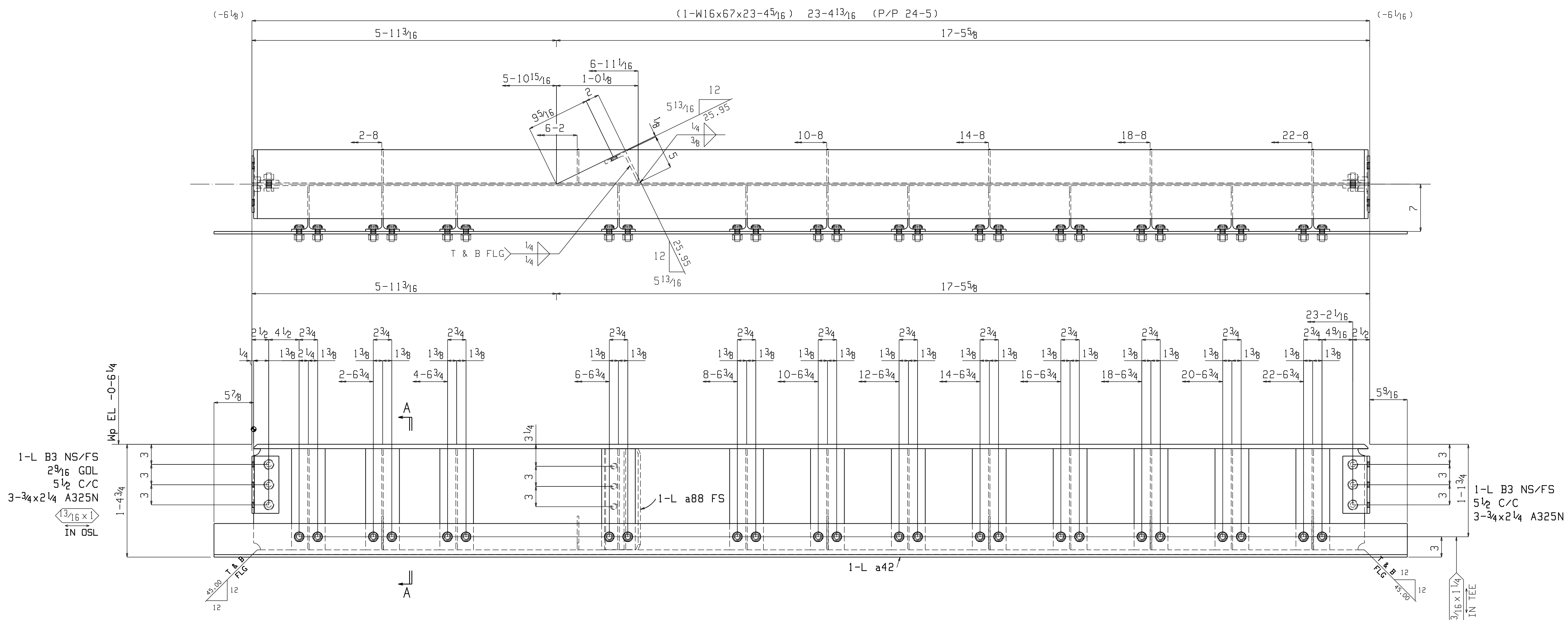


BILL OF MATERIAL

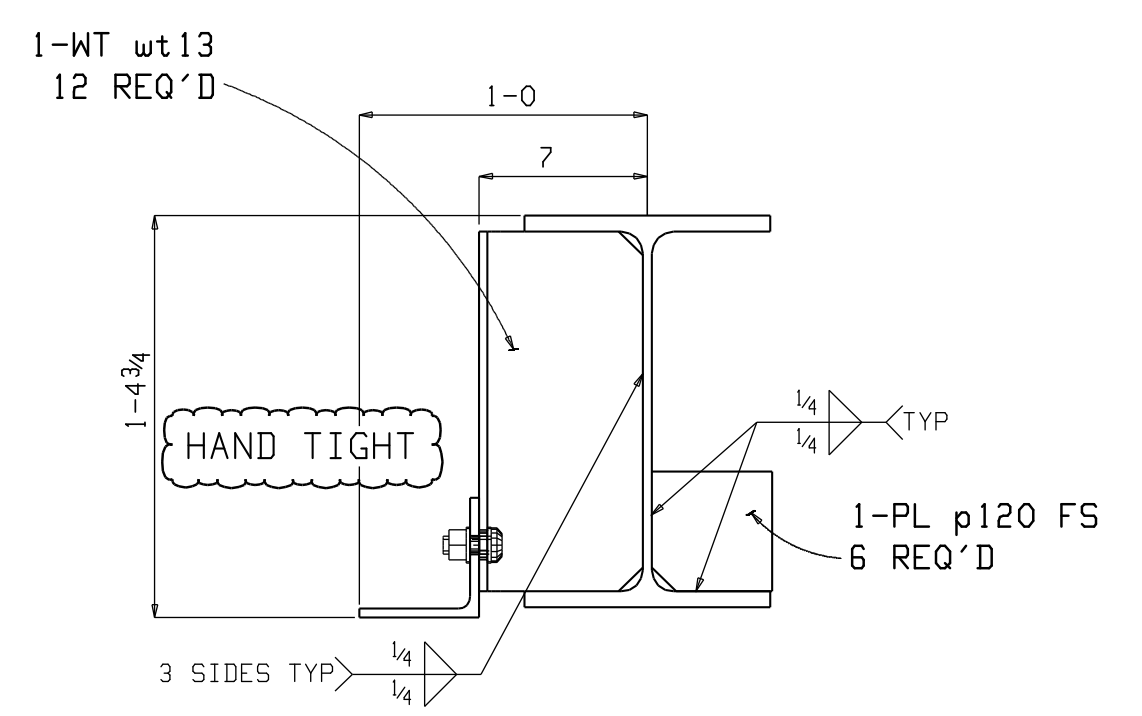
Quantity	Unit	Description	Mark	Length	Weight	Weight	Remarks	Minor	Steel
Total					Unit	Total		Mark	Grade
1	ONE BEAM	1237A			2101	2101			
1	1	W16x67		23	4 ³ / ₈	1565		1237A	A992
12	12	WT7x11		1	3	14		wt13	A992
1	1	L5x5x ³ / ₈		24	4	299		a42	A36
1	1	L5x3 ¹ / ₂ x ³ / ₈		1	2 ¹ / ₂	13		a88	A36
4	4	L4x4x ³ / ₈		0	8 ¹ / ₂	7		B3	A36
6	6	PL4x5		0	5	2		p120	A36
6	6	³ / ₄ Dia A325N		0	2 ¹ / ₄	1		4	1HD WASH
24	24	TC ³ / ₄ Dia A325N		0	2	1		17	2HD WASH



ONE BEAM 1237A

W | 16⁵/₁₆ x 3³/₈
 F | 10¹/₄ x 11¹/₁₆
 K | 19¹/₁₆ x 1¹/₈

SHOP BOLTS (Unless Noted):
 24-TC ³/₄ x 2 A325N



RELIEVING ANGLE
 TO BE PRIME PAINTED

Section A-A
 1237A

1. ACCUMULATIVE DIMENSIONS ARE TAKEN FROM THE ● LINE
2. ALL GAS RE-ENTRANT CUTS WILL HAVE A RADIUS OF 1/2" U.N.O.
3. ALL CONN. MAT. A36 (U.N.), PIPE A53, TUBE A500 Gr.B
4. TOLERANCES-AISC UNLESS NOTED
5. DEBURRING OF HOLES IS REQUIRED IF BURR EXCEEDS 1/16"
6. ☒ INDICATES SIDE OF PLATE SHOP IS TO PAINT A SPOT ON FOR ERECTION PURPOSES.

ORANGE COUNTY IRONWORKS LLC
 27 STONE CASTLE ROAD ROCK TAVERN N.Y. 12575
 845-564-8421

PRINT RECORD			STRUCTURE WASHINGTON BRIDGE VIEW	
QUANTITY	DATE	COPY	LOCATION	BRONX, NY
			CONTRACTOR ARTEC CONSTRUCTION	
			OWNER WASHINGTON BRIDGE VIEW	
Conns Unless Noted Holes 13/16 Unless Noted Paint NO PAINT UNO			ENG. OR ARCH'T DANDIOIS REV DATE DESCRIPTION PROJ NO. SHEET NO. 1 04-11-08 RELEASED FOR APPROVAL 8028 1237 2 08-15-08 RELEASED FOR FABRICATION 3 4	
Made	JPT	Date 04-09-08		
Chk'd	LRH	Date 04-10-08		