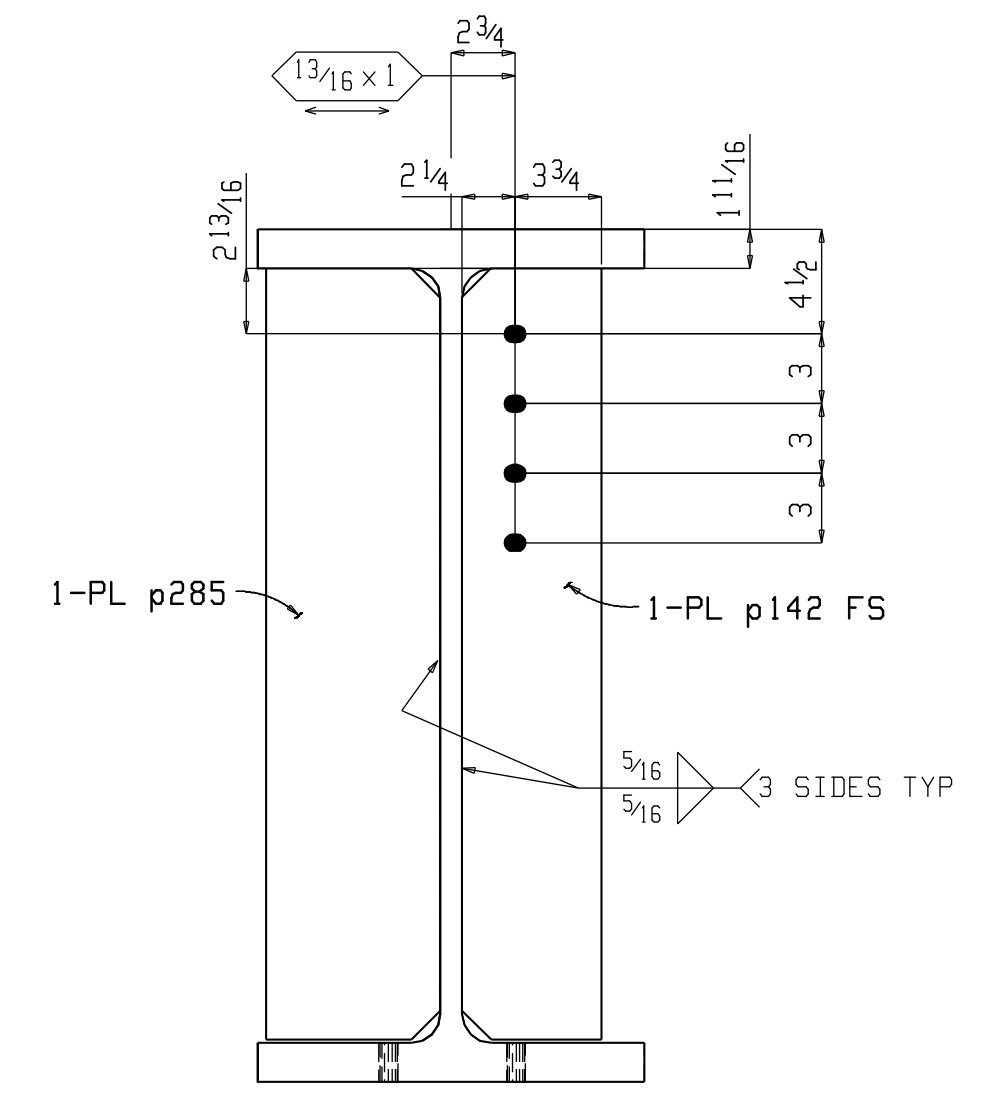


Section C-C
1246A



Section B-B
1246A

Section A-A
1246A

ONE BEAM 1246A

W	F	K	FIELD BOLTS:
36 3/4 x 1 5/16	16 5/8 x 1 1/16	21 5/16 x 1 3/4	20-1 x 3 A490N
			12-1 x 2 1/2 A490N
			8-3/4 x 3 1/2 A325N

BILL OF MATERIAL

Quantity	Unit	Description	Piece Mark	Length	Weight Unit	Weight Total	Remarks	Minor Mark	Steel Grade
1	ONE BEAM		1246A		10518	10518			
1		1 W36x300		33 11 1/4	10181	10181		1246A	A992
2		2 WT6x36		2 9 1/2	100	200		wt11	A992
2		2 L4x4x 1/2		2 5 1/2	31	63		a94	A36
1		1 PL 1/2 x 7 1/2		2 9 1/4	35	35		p285	A36
1		1 PL 1/2 x 6		2 9 1/4	28	28		p142	A36
1		1 PL 3/8 x 4 1/2		1 0 1/2	6	6		p180	A36
1		1 PL 3/8 x 4 1/2		0 9	4	4		p51	A36

1. ACCUMULATIVE DIMENSIONS ARE TAKEN FROM THE \odot LINE
2. ALL GAS RE-ENTRANT CUTS WILL HAVE A RADIUS OF $1/2$ " U.N.O.
3. ALL CONN. MAT. A36 (U.N.), PIPE A53, TUBE A500 Gr.B
4. TOLERANCES-AISC UNLESS NOTED
5. DEBURRING OF HOLES IS REQUIRED IF BURR EXCEEDS $1/16$ "
6. \otimes INDICATES SIDE OF PLATE SHOP IS TO PAINT A SPOT ON FOR ERECTION PURPOSES.

ORANGE COUNTY IRONWORKS LLC
 27 STONE CASTLE ROAD ROCK TAVERN N.Y. 12575
 845-564-8421

PRINT RECORD			STRUCTURE WASHINGTON BRIDGE VIEW	
QUANTITY	DATE	COPY	LOCATION	BRONX, NY
			CONTRACTOR	ARTEC CONSTRUCTION
			OWNER	WASHINGTON BRIDGE VIEW

CONNS	UNLESS NOTED	ENG. OR ARCH'T	DANDIIS	REV	DATE	DESCRIPTION	PROJ NO.	SHEET NO.
Holes	1 3/16	Unless Noted		1	04-11-08	RELEASED FOR APPROVAL	8028	1246
Paint	NO PAINT UNO			2	08-15-08	RELEASED FOR FABRICATION		
Made	JPT	Date	04-09-08	3				
Chk'd	LRH	Date	04-10-08	4				