

BILL OF MATERIAL

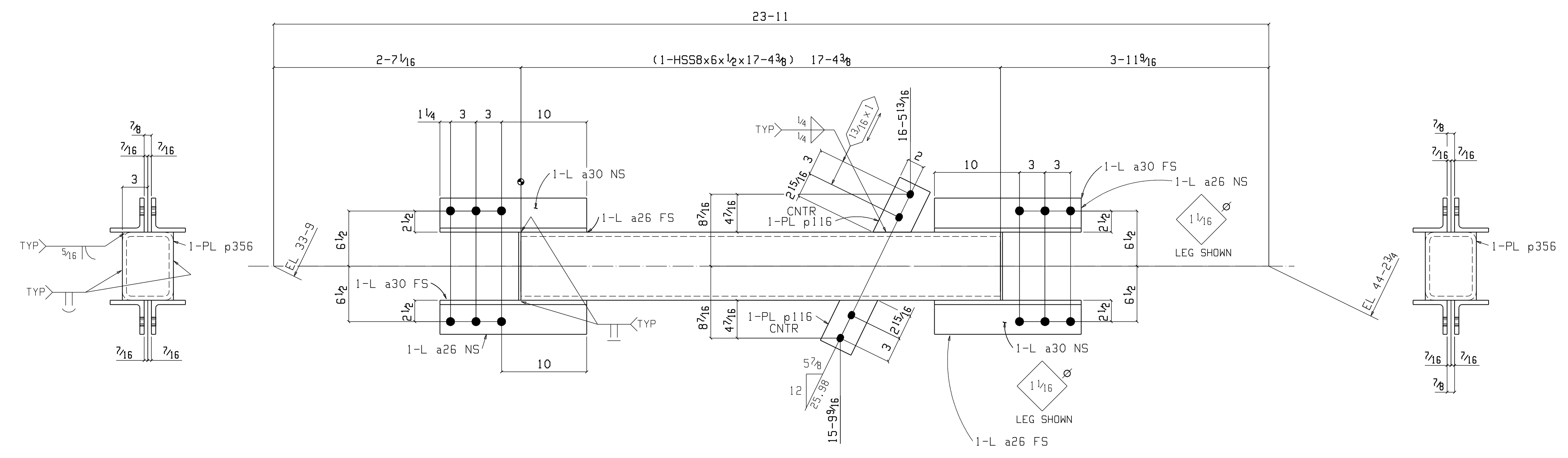
| Quantity | Unit | Quantity | Total | Description | Piece Mark | Length | Weight | Weight | Remarks | Minor Mark | Steel Grade |
|----------|------|----------|-------|---------------------------|------------|------------|--------|--------|----------|------------|-------------|
| | | | | ONE VERTICAL BRACE | 1301A | | 888 | 888 | | | |
| 1 | | 1 | | HSSB $6 \times 1/2$ | | 17-4 $3/8$ | 730 | 730 | | 1301A | A500B |
| 4 | | 4 | | L $4 \times 4 \times 1/2$ | | 1-5 $1/4$ | 18 | 74 | | a26 | A36 |
| 4 | | 4 | | L $4 \times 4 \times 1/2$ | | 1-5 $1/4$ | 18 | 74 | | a30 | A36 |
| 2 | | 2 | | PL $1/4 \times 6$ | | 0-8 | 3 | 7 | | p356 | A36 |
| 2 | | 2 | | PL $1/4 \times 4$ | | 0-7 $3/16$ | 2 | 4 | | p116 | A36 |
| | | | | FIELD BOLTS | | | | | | | |
| 12 | | 12 | | 1 Dia A490SC | | 0-3 | | | 1HD WASH | | |
| | | | | ONE VERTICAL BRACE | 1301B | | 892 | 892 | | | |
| 1 | | 1 | | HSSB $6 \times 1/2$ | | 17-5 $1/2$ | 734 | 734 | | 1301B | A500B |
| 4 | | 4 | | L $4 \times 4 \times 1/2$ | | 1-5 $1/4$ | 18 | 74 | | a26 | A36 |
| 4 | | 4 | | L $4 \times 4 \times 1/2$ | | 1-5 $1/4$ | 18 | 74 | | a30 | A36 |
| 2 | | 2 | | PL $1/4 \times 6$ | | 0-8 | 3 | 7 | | p356 | A36 |
| 2 | | 2 | | PL $1/4 \times 4$ | | 0-7 $3/16$ | 2 | 4 | | p116 | A36 |
| | | | | FIELD BOLTS | | | | | | | |
| 12 | | 12 | | 1 Dia A490SC | | 0-3 $1/4$ | | | 1HD WASH | | |

FOR APPROVAL ONLY
NOT FOR FABRICATION

- ACCUMULATIVE DIMENSIONS ARE TAKEN FROM THE \odot LINE
- ALL GAS RE-ENTRANT CUTS WILL HAVE A RADIUS OF $1/2$ " U.N.O.
- ALL CONN. MAT. A36 (U.N.), PIPE A53, TUBE A500 Gr.B
- TOLERANCES-AISC UNLESS NOTED
- DEBURRING OF HOLES IS REQUIRED IF BURR EXCEEDS $1/16$ "
- \otimes INDICATES SIDE OF PLATE SHOP IS TO PAINT A SPOT ON FOR ERECTION PURPOSES.
- NO PAINT WITHIN 3" OF OPEN HOLES
- SPLICE WELD, FLAT PLATE, BENT PLATE OR ANGLES WHERE NEEDED

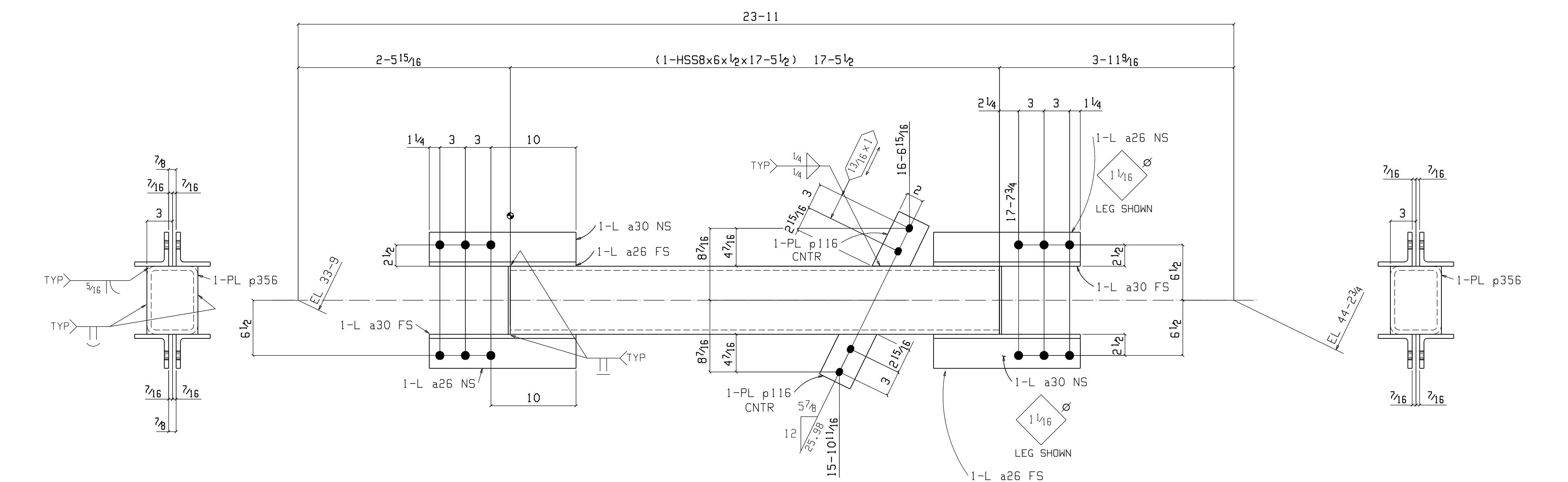
ORANGE COUNTY IRONWORKS LLC
36 MAYBROOK ROAD MONTGOMERY N.Y. 12549
845-769-3000

| PRINT RECORD | | | STRUCTURE ALL CITY LEADERSHIP | | | | |
|--------------|---------|---------------|-------------------------------|---------------------|---------------------------|----------|-----------|
| QUANTITY | DATE | COPY | LOCATION | CONTRACTOR | | | |
| | | | BROOKLYN, NY | MORGAN CONSTRUCTION | | | |
| | | | OWNER NYC SCA | | | | |
| | | | ENG. OR ARCH'T SCA | | | | |
| Conns | A36 | Unless Noted | REV | DATE | DESCRIPTION | PROJ NO. | SHEET NO. |
| Holes | $13/16$ | Unless Noted | 1 | 10-27-10 | RELEASED FOR APPROVAL | 10058 | 1301 |
| Surf.Pre | | SSP1 UNO | 2 | 01-14-11 | RELEASED FOR 2nd APPROVAL | | |
| D.F.T. | | N/A | 3 | | | | |
| Paint | | NO PAINT UNO | 4 | | | | |
| Made | LRH | Date 07-13-10 | | | | | |
| Chk'd | JPT | Date 08-03-10 | | | | | |



ONE VERTICAL BRACE 1301A

FIELD BOLTS:
12-1x3 A490SC



ONE VERTICAL BRACE 1301B

FIELD BOLTS:
12-1x3 1/4 A490SC