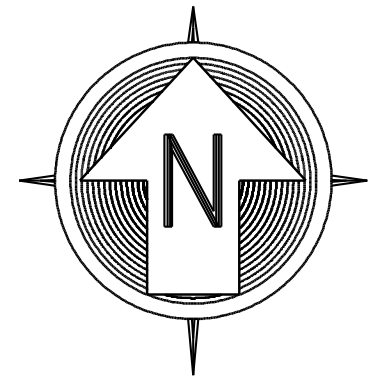


PLEASE PROVIDE SIZES OF BEAM WEB OPENINGS

SEQUENCE 1

FIRST FLOOR FRAMING PLAN

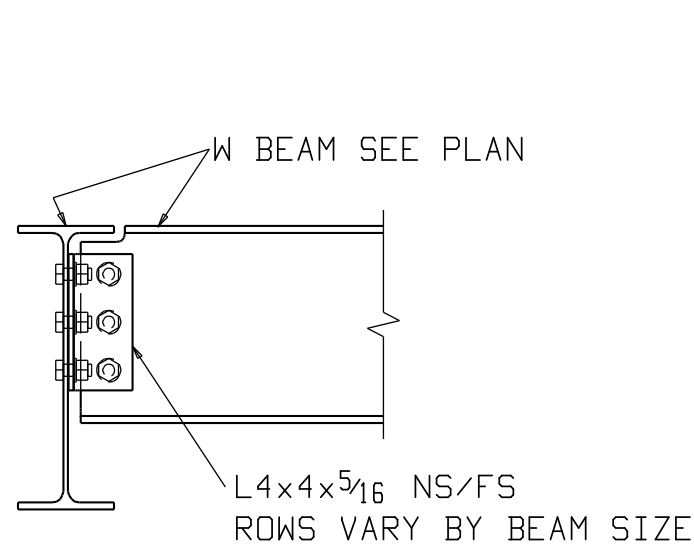


- NOTES:
1. TOP OF STEEL = 44-11 $\frac{3}{4}$ U.N.O. (\pm) FROM 44-11 $\frac{3}{4}$
 2. (#) INDICATES NUMBER OF $\frac{3}{4}$ " ϕ x5" LONG HEADED SHEAR STUDS
 3. \blacktriangleright INDICATES MOMENT CONNECTION
 4. - - - - INDICATES BRACED FRAME
 5. * INDICATES 1" A325 BOLTS
 6. \times INDICATES BEAM WEB OPENING

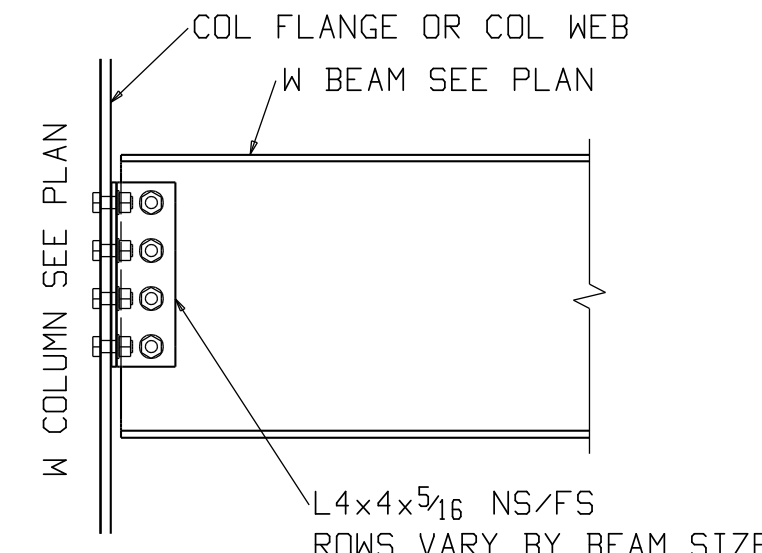
APPROVER VERIFY/ADVISE ALL CLOUDED ITEMS

APPROVER:
ANY CLOUDED ITEMS NOT ADDRESSED DURING APPROVAL PROCESS WILL BE CONSIDERED CORRECT AS SHOWN AND RELEASED FOR FABRICATION/FIELD USE

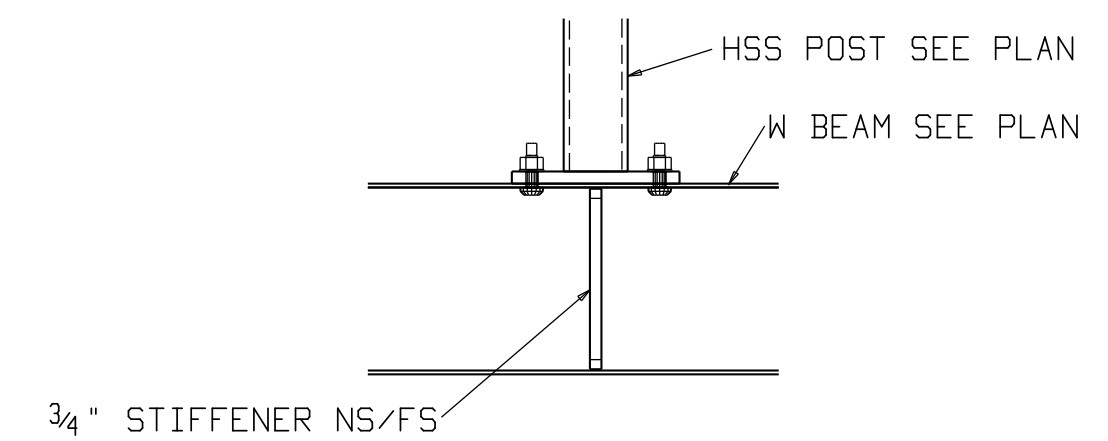
FOR APPROVAL ONLY
NOT FOR CONSTRUCTION



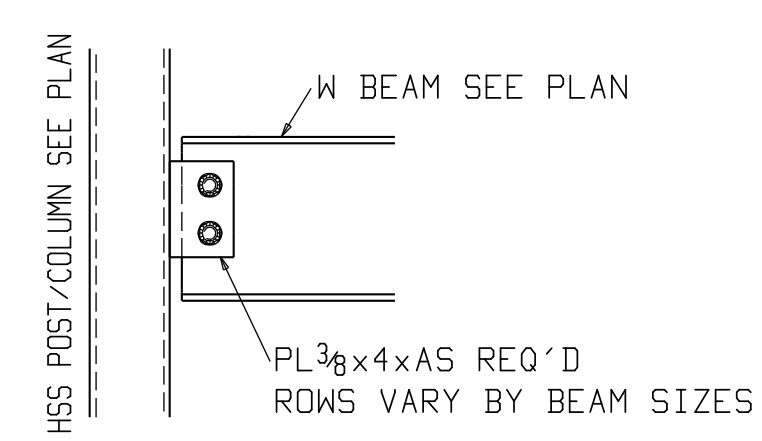
TYP BM TO BM



TYP BM TO COL



TYP POST ON BEAM



TYP BM TO TUBE COL

| | | | |
|--|---------------|-------------------------------|--|
| ORANGE COUNTY IRONWORKS LLC | | | |
| 36 MAYBROOK ROAD MONTGOMERY N.Y. 12549 845-769-3000 | | | |
| PRINT RECORD | | STRUCTURE ALL CITY LEADERSHIP | |
| QUANTITY | DATE | COPY | LOCATION BROOKLYN, NY |
| | | | CONTRACTOR MORGAN CONSTRUCTION |
| | | | OWNER NYC SCA |
| Conn's A36 | Unless Noted | ENG. OR ARCH'T SCA | |
| Holes 13/16 | Unless Noted | REV | DATE DESCRIPTION PROJ NO. SHEET NO. |
| Surf. Prep | | 1 | 10-27-10 RELEASED FOR APPROVAL 10058 1E1 |
| Paint | | 2 | 01-14-11 RELEASED FOR 2nd APPROVAL |
| Made JL | Date 07-20-10 | 3 | |
| Chk'd AC | Date 07-26-10 | 4 | |