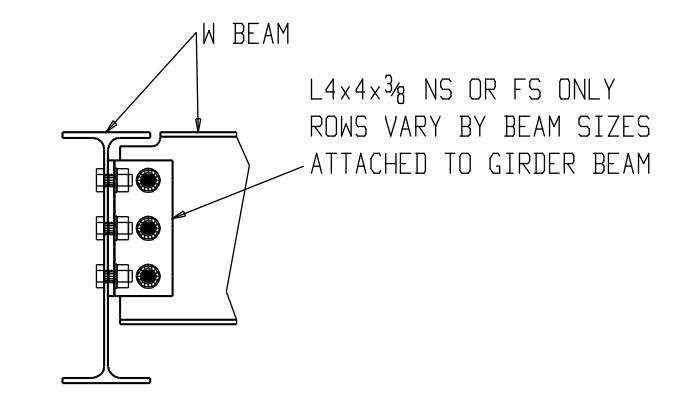
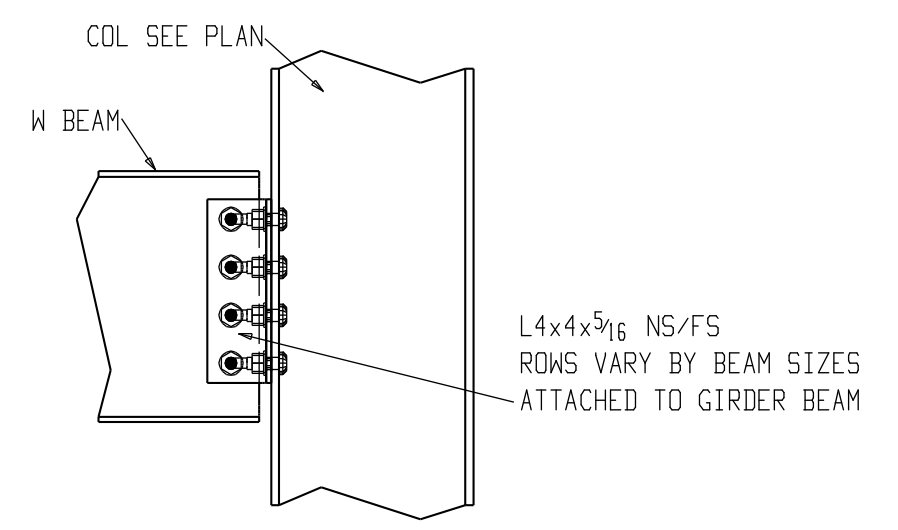


1st FLOOR FRAMING PLAN

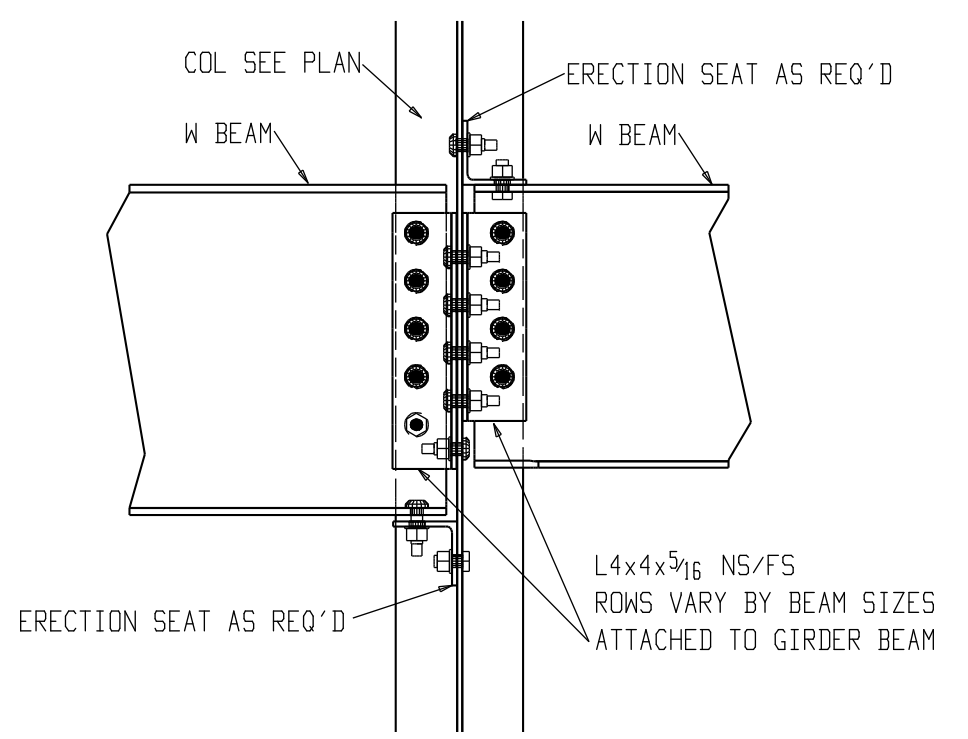
- NOTES:  
 1. TOP OF STEEL ELEVATION = 338-7 U.N.D (+) FROM 338-7  
 2. DENOTES MOMENT CONNECTION  
 3. (X) DENOTES THE NUMBER OF SHEAR STUDS PER BEAM  
 4. \* DENOTES 1" A325 BOLTS IN WEB CONNECTION  
 5. ALL MOMENT PADDEL PLATES ARE 1" @ A490 BOLTS



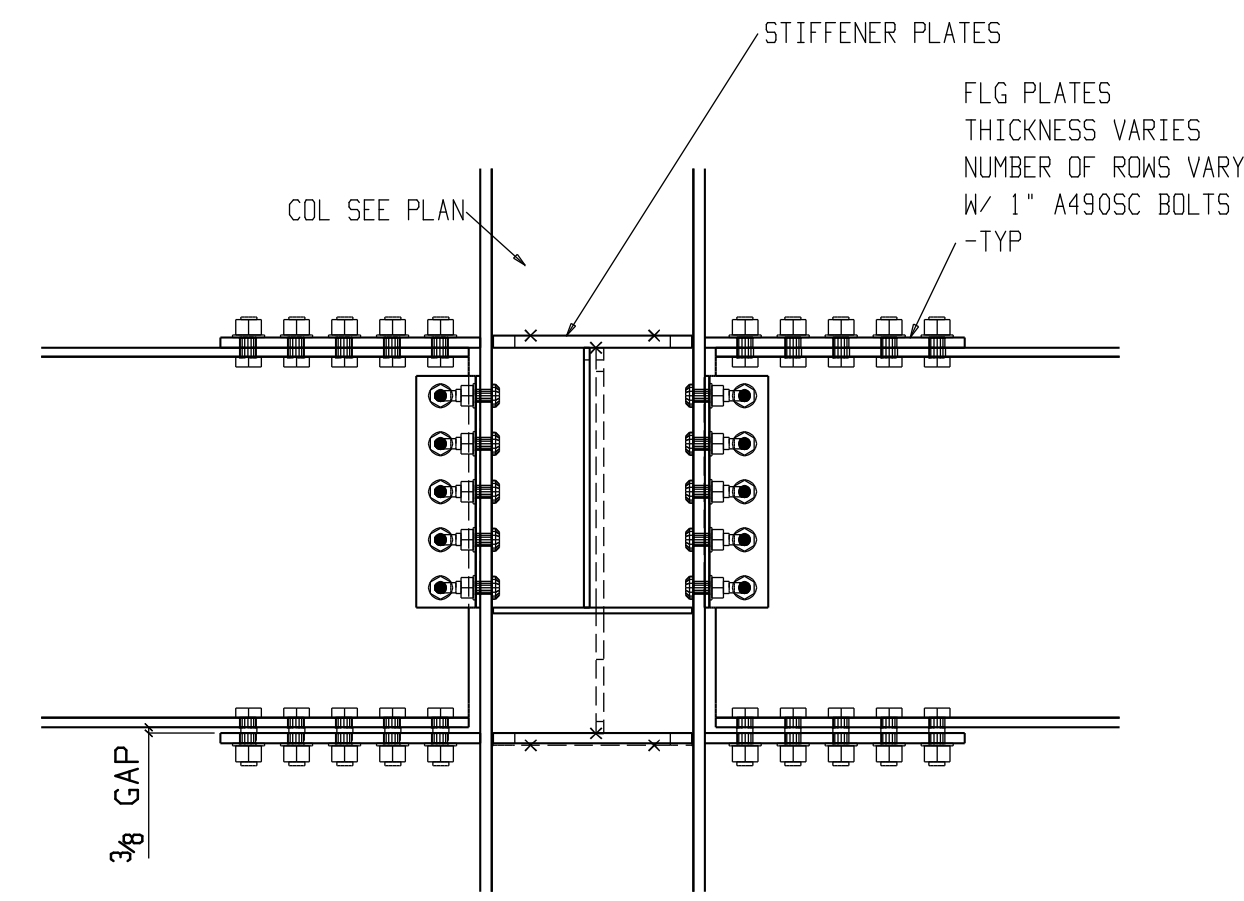
TYP BM/BM



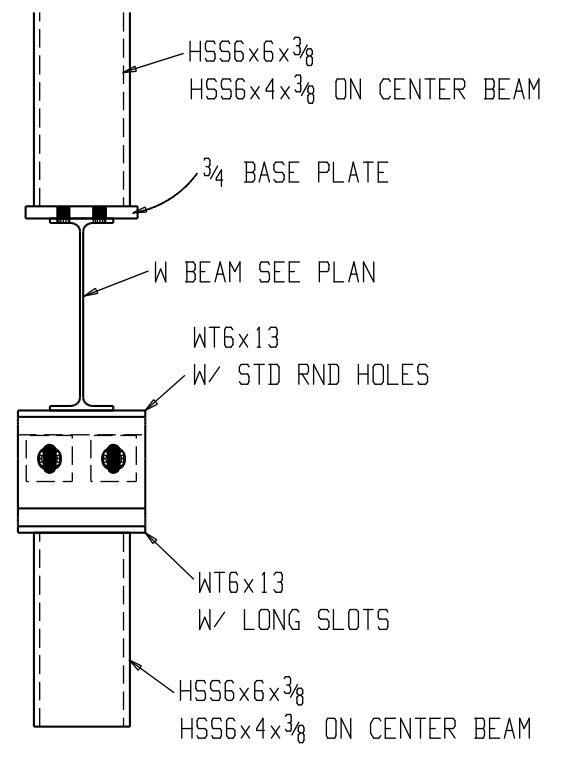
TYP BM/COL FLG



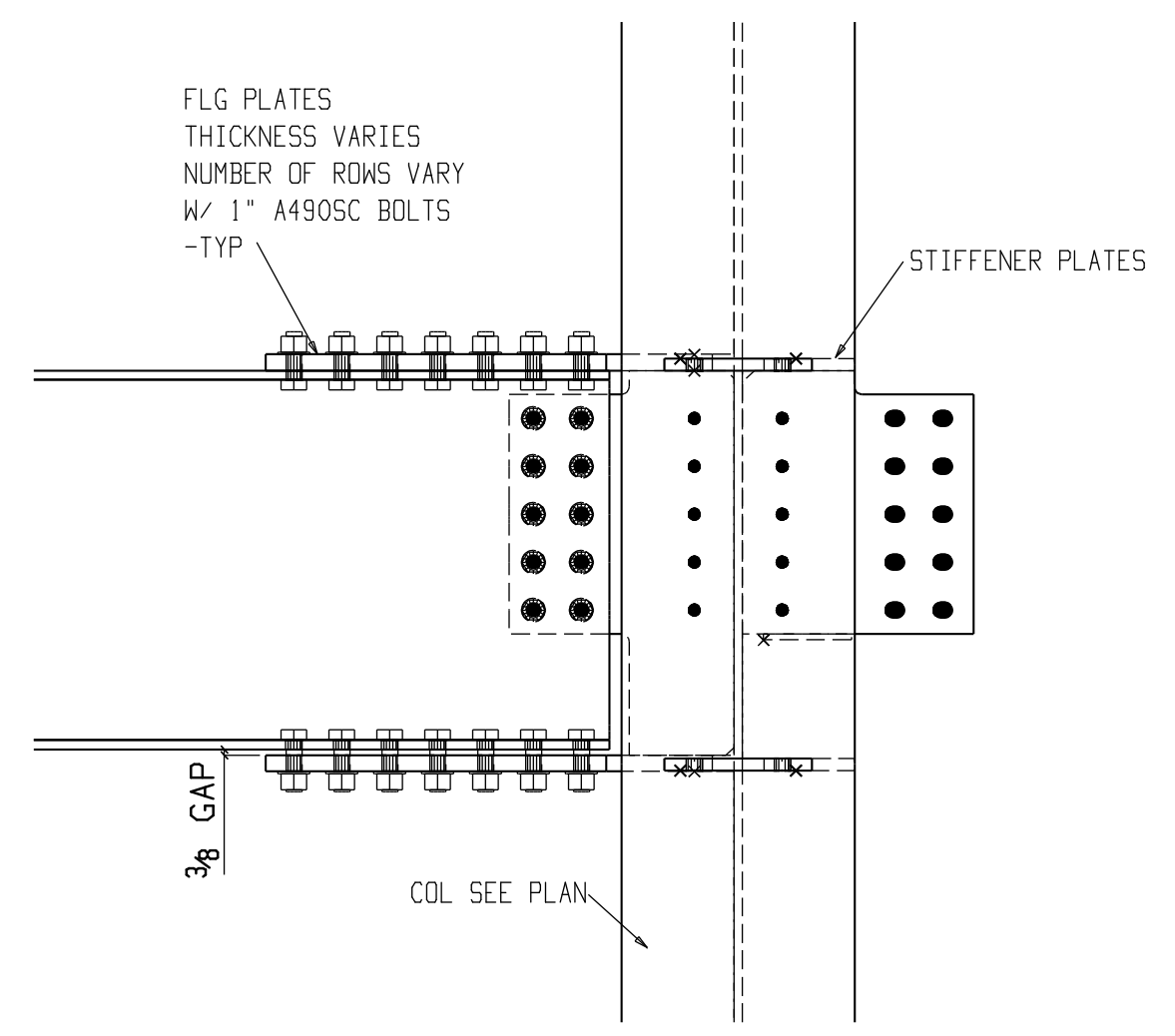
TYP BM/COL WEB



TYP MOM COL FLG



TYP ELEV. RAIL SUPPORT @ BEAMS



TYP MOM COL WEB

<b>ORANGE COUNTY IRONWORKS LLC</b>			
36 MAYBROOK ROAD MONTGOMERY N.Y. 12549 845-769-3000			
PRINT RECORD		STRUCTURE HUDSON VALLEY MEDICAL BUILDING	
QUANTITY	DATE	COPY	LOCATION CORTLANDT MANOR, NY
			CONTRACTOR BARR & BARR, INC.
			OWNER HUDSON VALLEY MEDICAL BUILDING, LLC
Conns. A36	Unless Noted	ENG. OR ARCH'T PALLANTE DESIGN	
Holes 13/16	Unless Noted	REV	DATE DESCRIPTION PROJ NO. SHEET NO.
Surf. Prep		1	09-24-10 RELEASED FOR APPROVAL 10100 1E1
Paint		2	11-04-10 RELEASED FOR FIELD
Made	JL Date 09-20-10	3	11-13-10 REVISED 1216E BEAM LOC
Chk'd	JPI Date 09-21-10	4	11-16-10 REV'D PER STAIR COORD