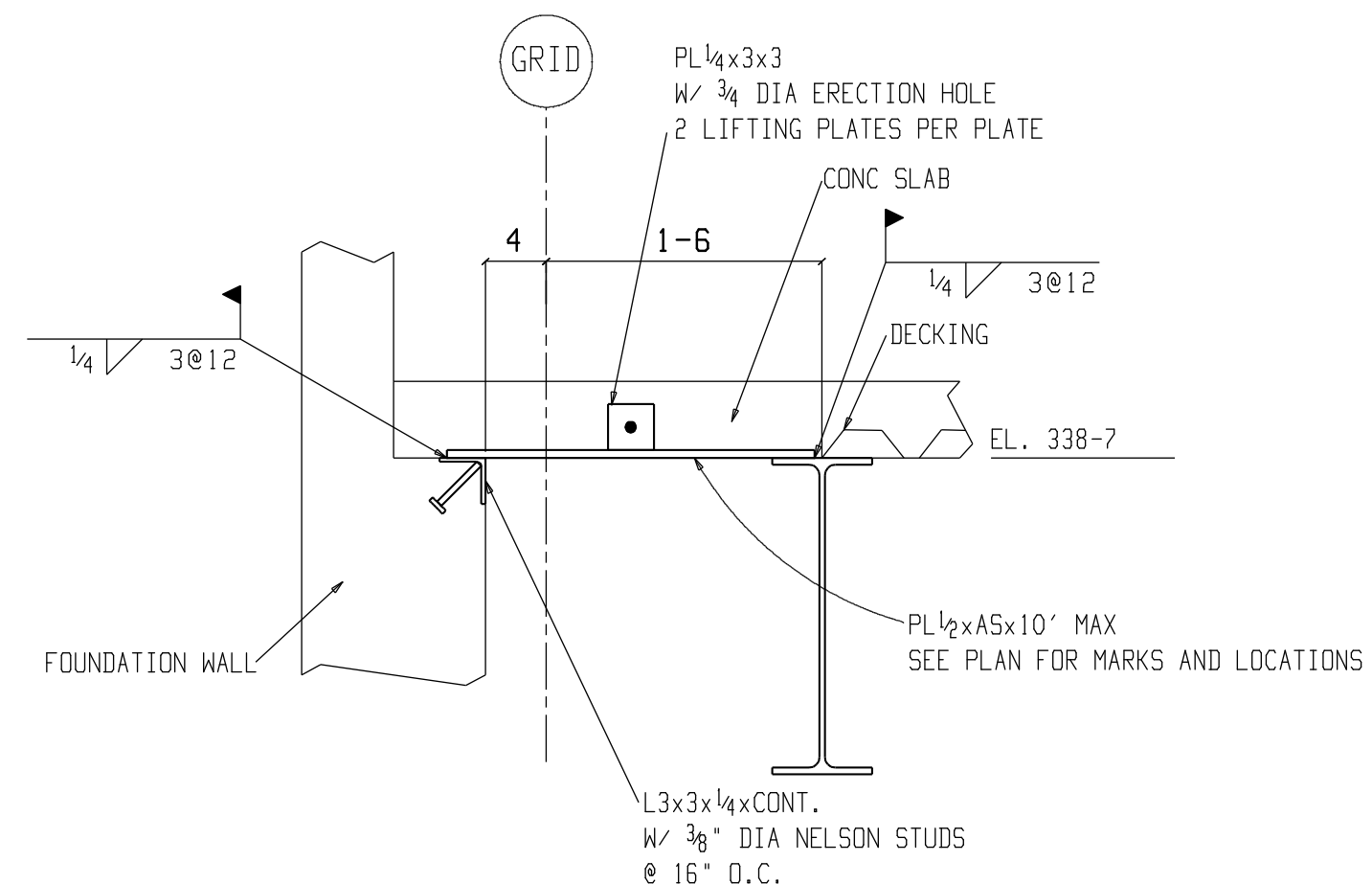
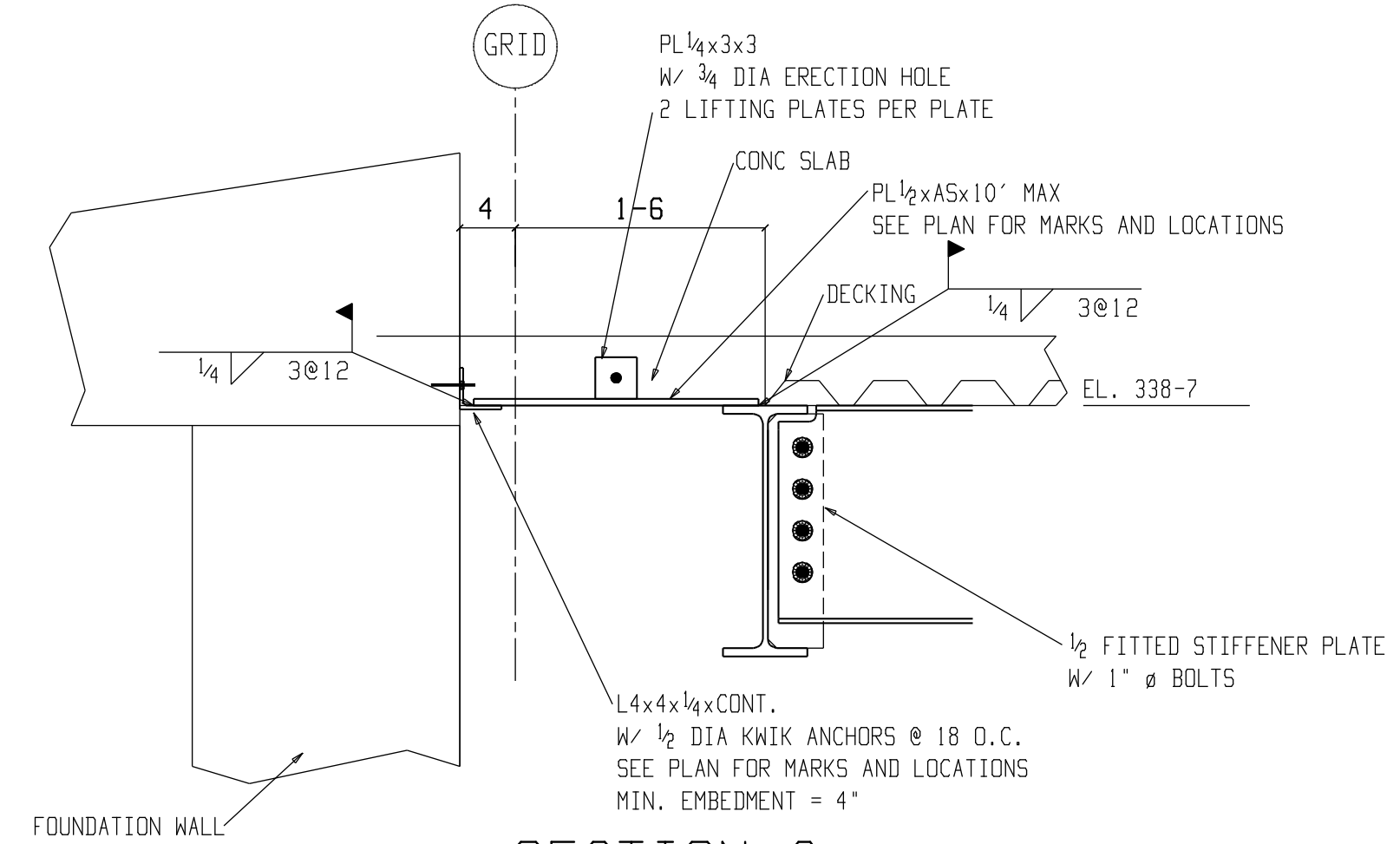


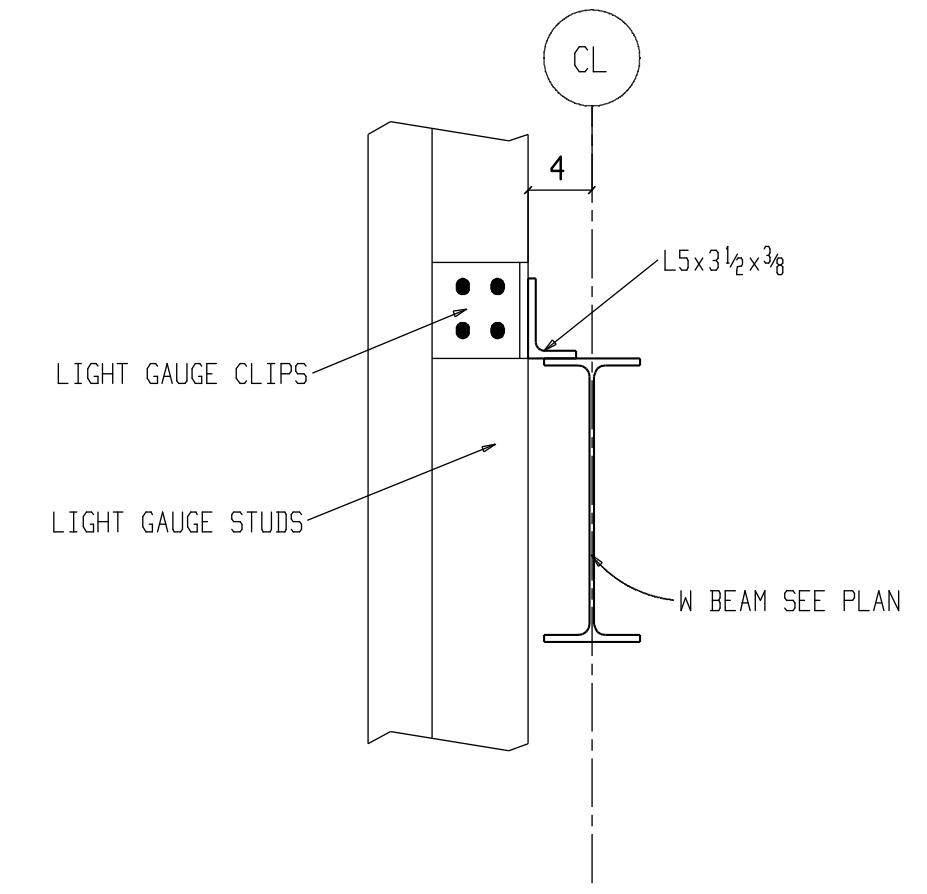
SECTION A



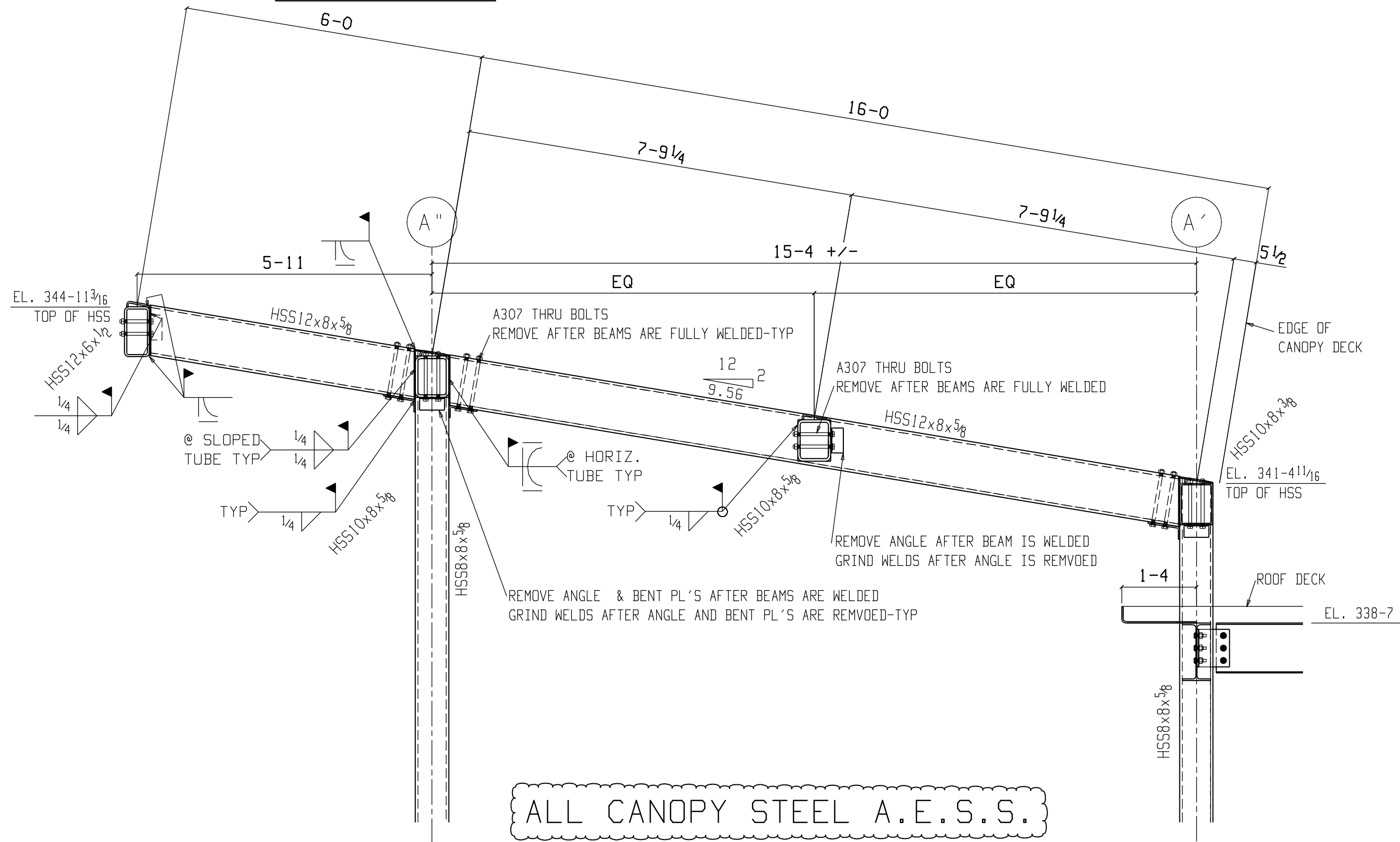
SECTION B



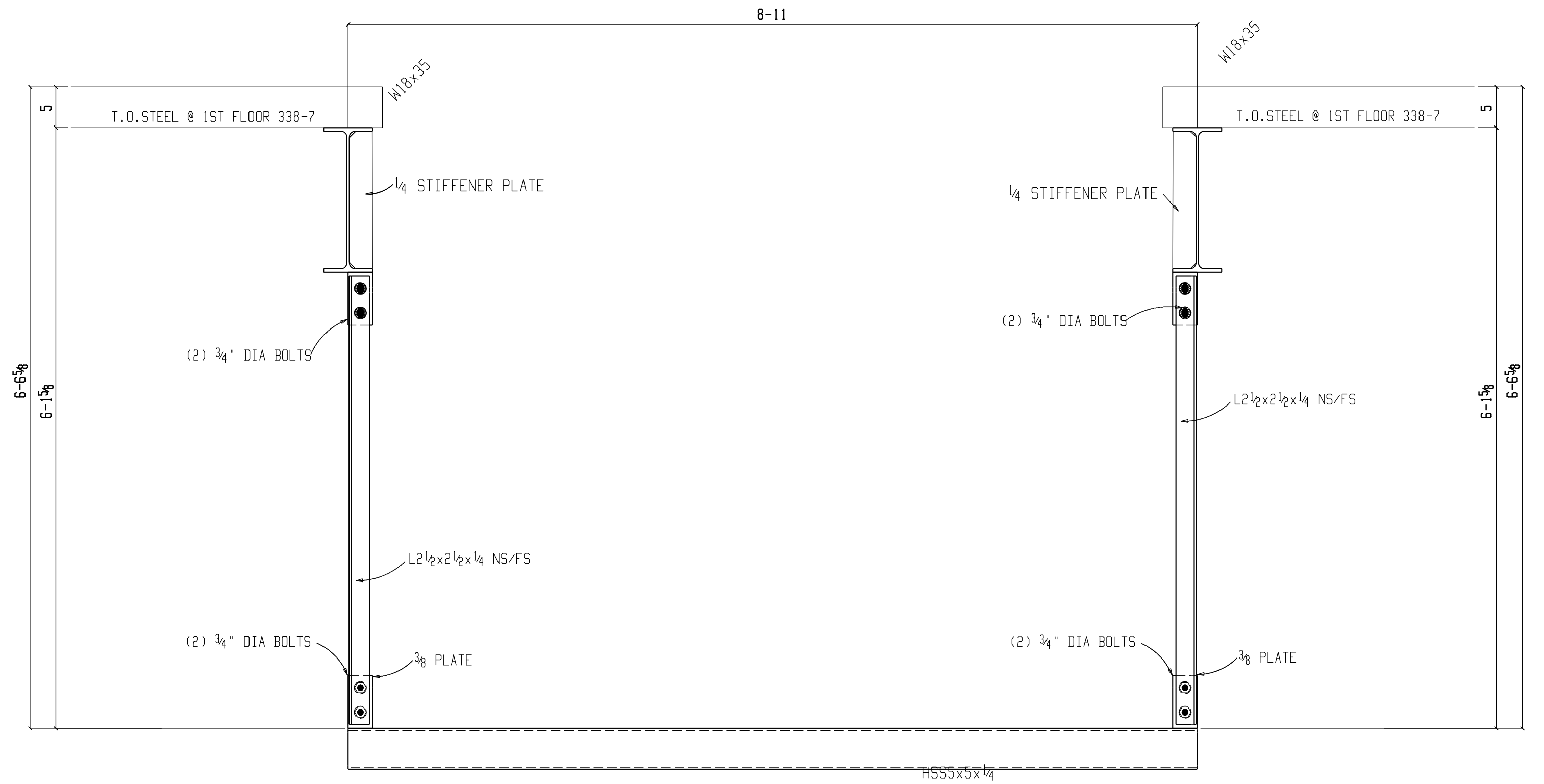
SECTION C



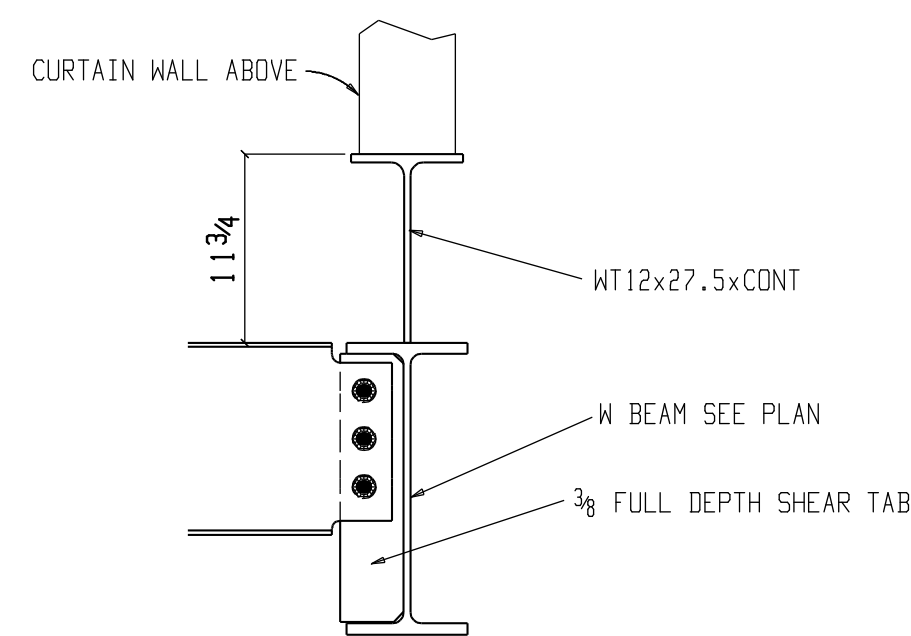
SECTION D



SECTION E



SECTION G



SECTION F

<b>ORANGE COUNTY IRONWORKS LLC</b>					
36 MAYBROOK ROAD MONTGOMERY N.Y. 12549 845-769-3000					
PRINT RECORD			STRUCTURE HUDSON VALLEY MEDICAL BUILDING		
QUANTITY	DATE	COPY	LOCATION CORTLANDT MANOR, NY		
			CONTRACTOR BARR & BARR, INC.		
			OWNER HUDSON VALLEY MEDICAL BUILDING, LLC		
Conns	A36	Unless Noted	ENG. OR ARCH'T PALLANTE DESIGN		
Holes	13/16	Unless Noted	REV	DATE	DESCRIPTION
Surf. Prep			1	09-24-10	RELEASED FOR APPROVAL
Paint			2	11-04-10	RELEASED FOR FIELD
Made	JL	Date 09-20-10	3		
Chk'd	JPI	Date 09-21-10	4		
			PROJ NO.	SHEET NO.	
			10100	1E2	