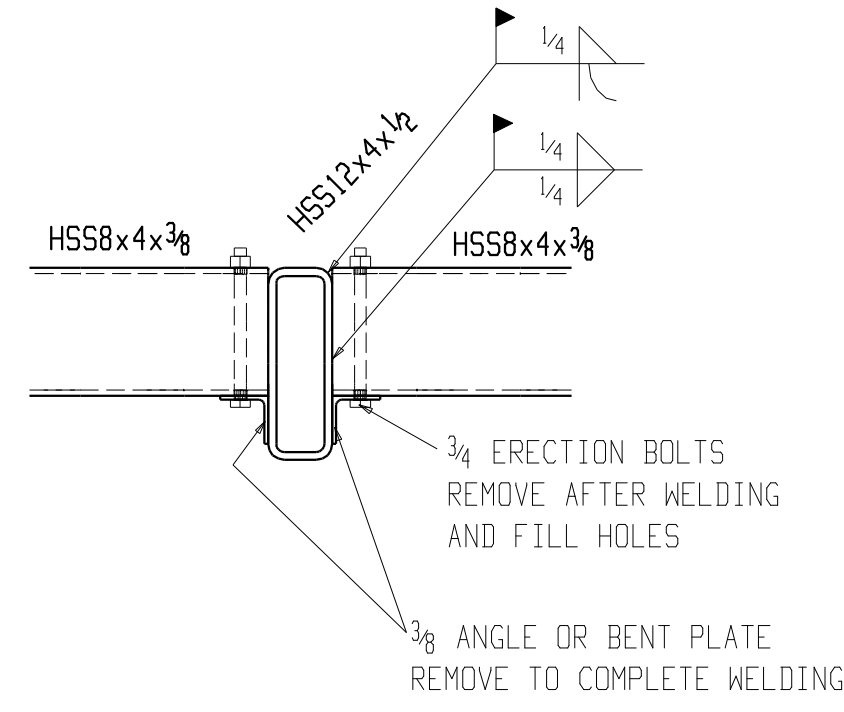
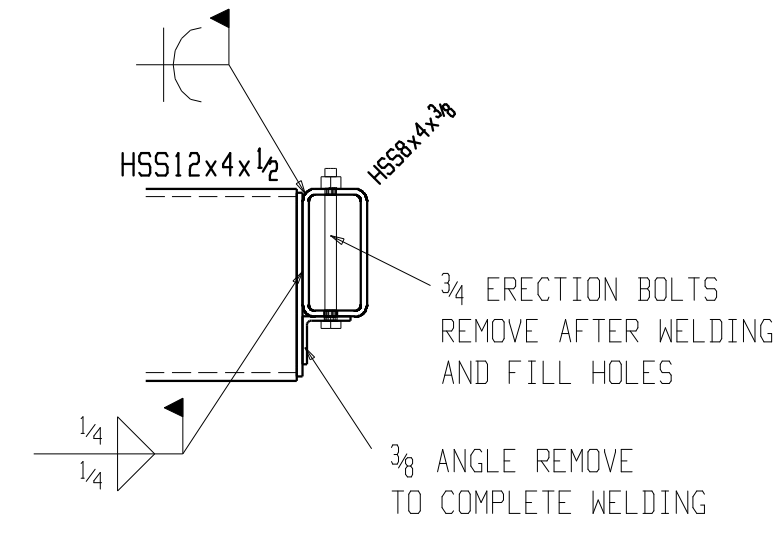


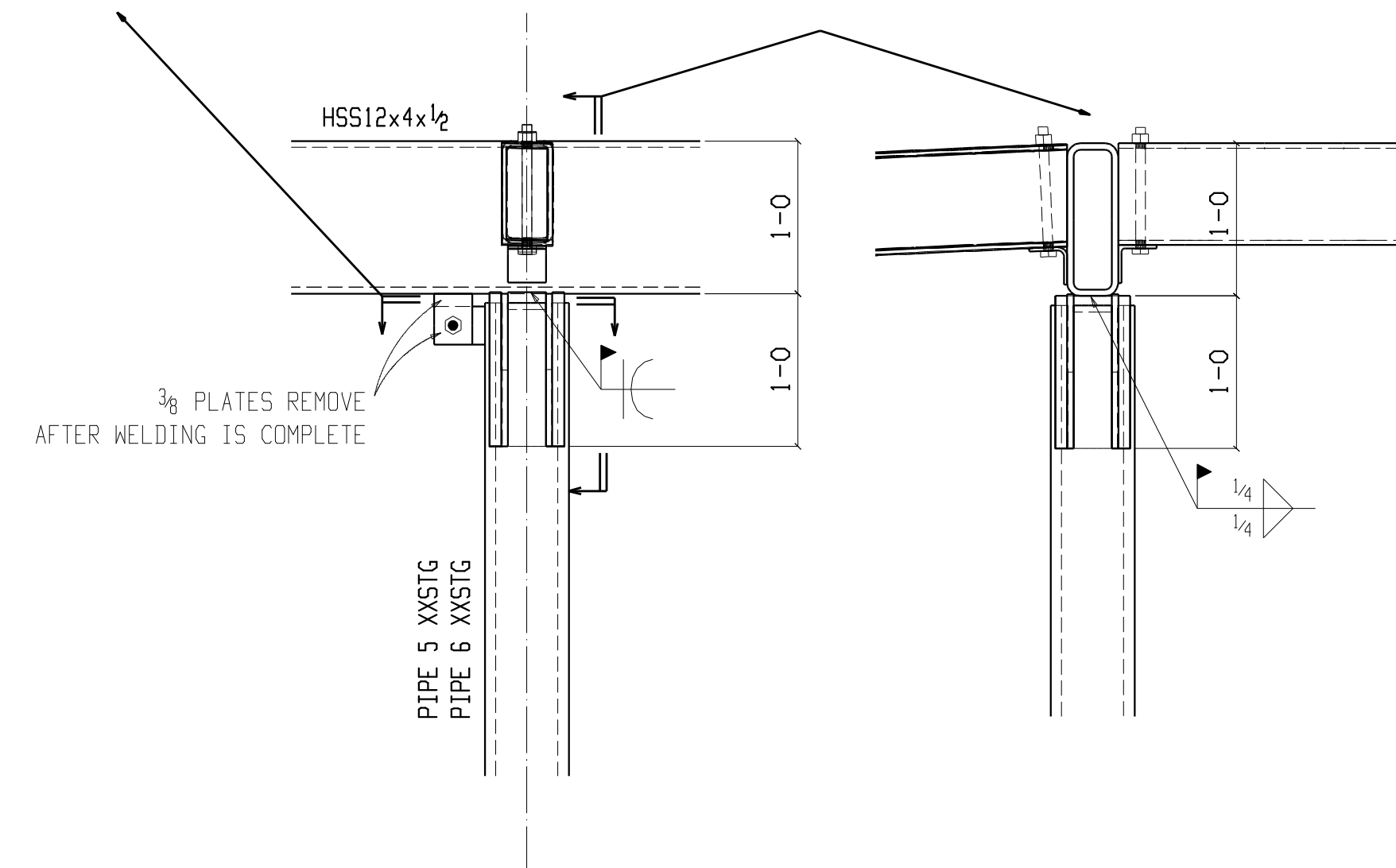
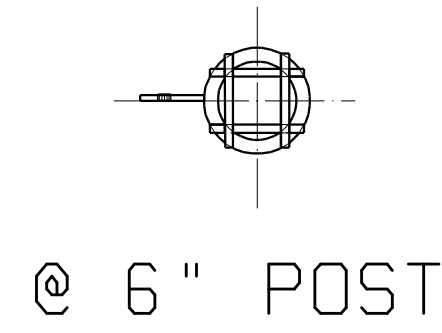
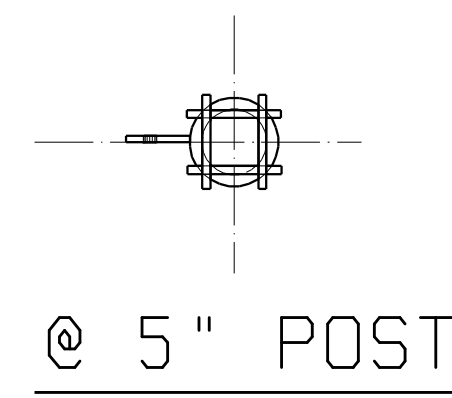
SECTION A-A



SECTION B-B



SECTION C-C



TYP @ TOP OF POST

FOR APPROVAL ONLY
NOT FOR CONSTRUCTION

ORANGE COUNTY IRONWORKS LLC

36 MAYBROOK ROAD MONTGOMERY N.Y. 12549
845-769-3000

PRINT RECORD			STRUCTURE CONEY ISLAND STEEPLCHASE				
QUANTITY	DATE	COPY	LOCATION BROOKLYN, NEW YORK				
			CONTRACTOR HUNTER ROBERTS CONSTRUCTION GROUP				
			OWNER CITY OF NEW YORK PARKS & RECREATION				
Conns. A36 Unless Noted			ENG. OR ARCH'T ROCKWELLGROUP				
Holes 13/16 Unless Noted			REV	DATE	DESCRIPTION	PROJ NO.	SHEET NO.
Surf. Prep			1	03-09-12	RELEASED FOR APPROVAL	11101	1E2
Paint			2				
Made JPT Date 12-15-11			3				
Chk'd JLD Date 03-08-12			4				