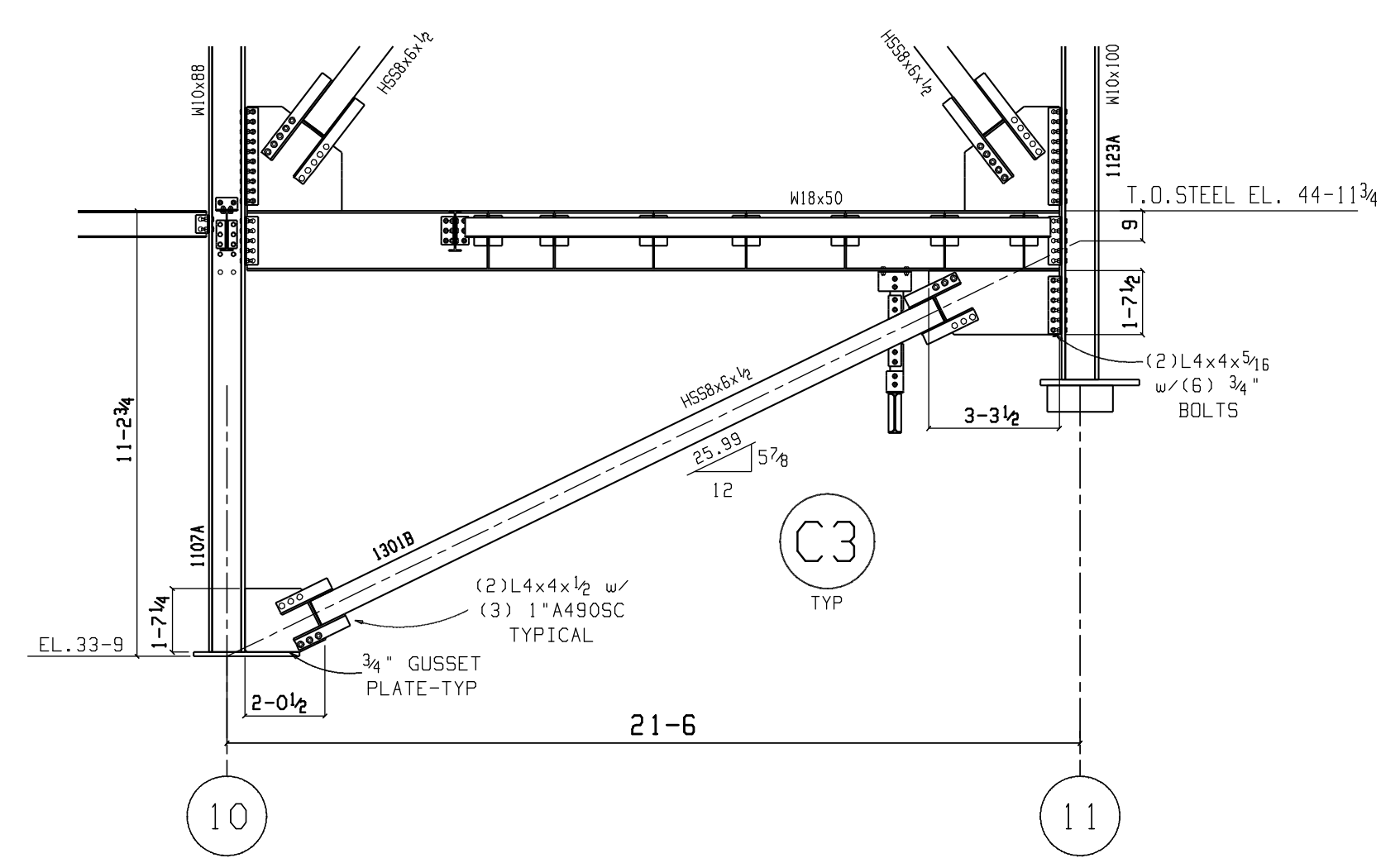
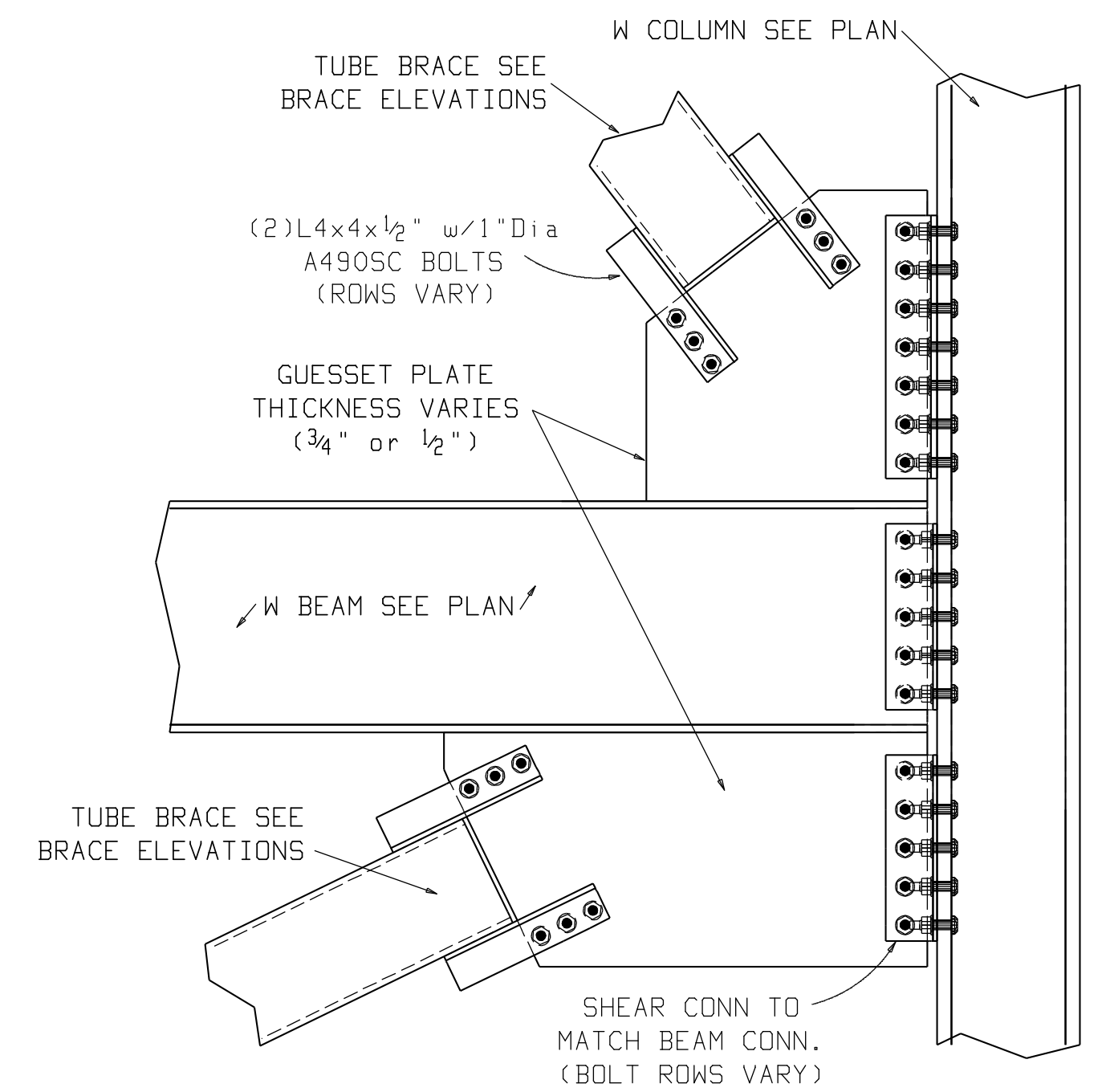


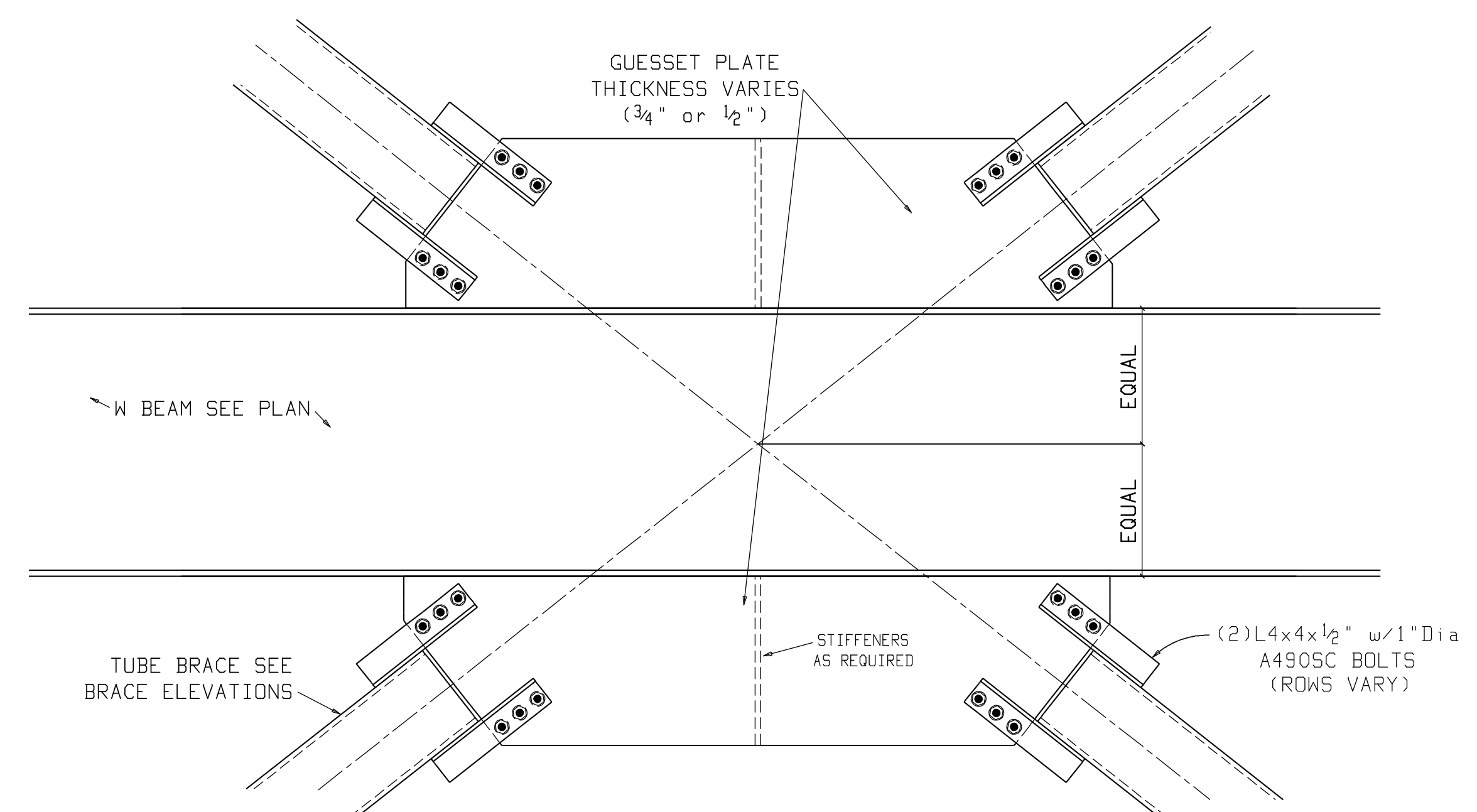
**BRACED FRAME #2**  
ALONG GRID LINE B



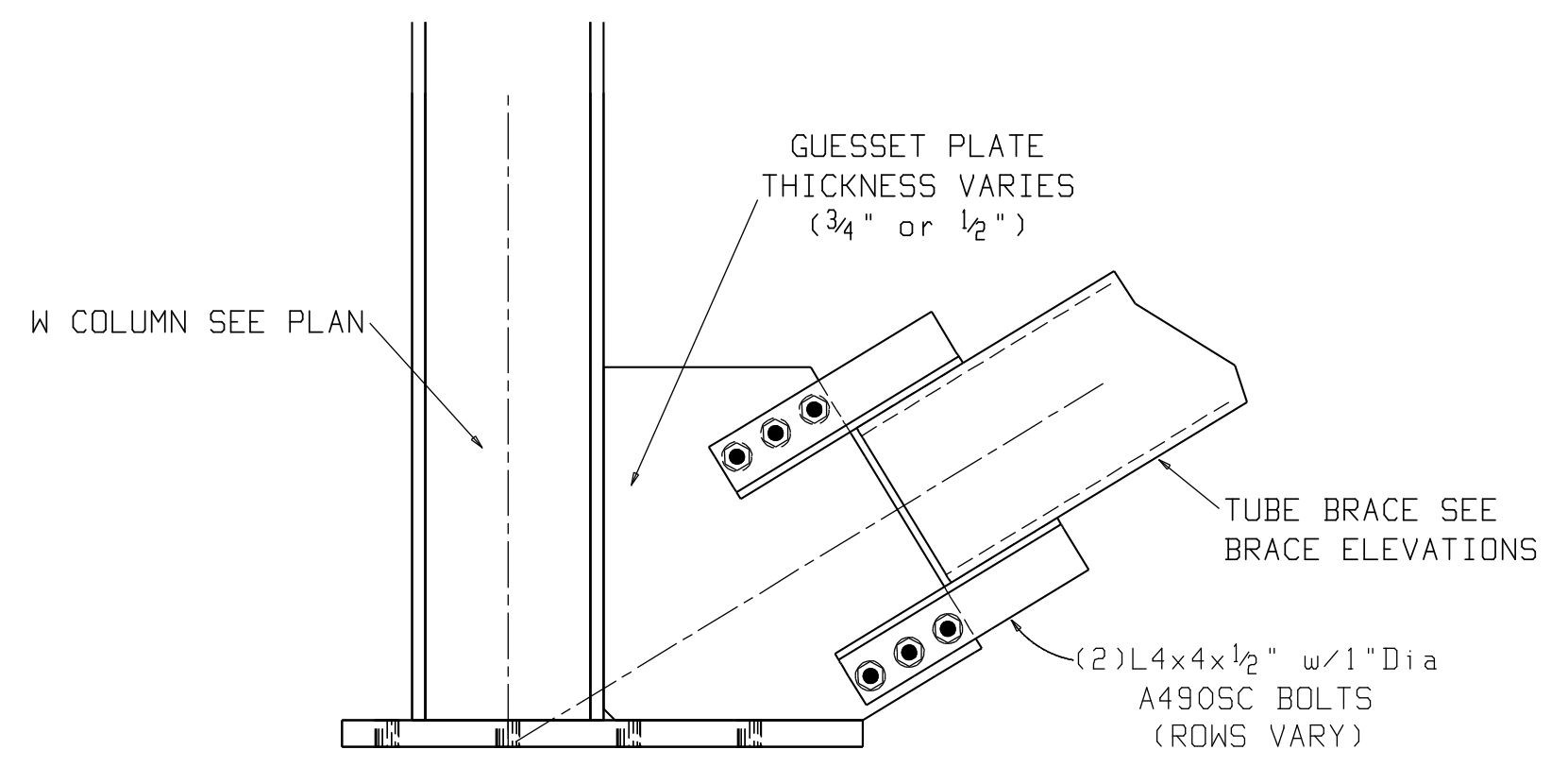
**BRACED FRAME #3**  
ALONG GRID LINE C



**TYP VB AT BEAM TO COL**



**TYP VB AT MIDSPAN OF BEAM**



**TYP VB AT COL BASE PL**

APPROVER VERIFY/ADVISE ALL CLOUDED ITEMS

APPROVER:  
ANY CLOUDED ITEMS NOT ADDRESSED DURING APPROVAL PROCESS WILL BE CONSIDERED CORRECT AS SHOWN AND RELEASED FOR FABRICATION/FIELD USE

FOR APPROVAL ONLY  
NOT FOR CONSTRUCTION

**ORANGE COUNTY IRONWORKS LLC**  
36 MAYBROOK ROAD MONTGOMERY N.Y. 12549  
845-769-3000

PRINT RECORD			STRUCTURE ALL CITY LEADERSHIP				
QUANTITY	DATE	COPY	LOCATION	BROOKLYN, NY			
			CONTRACTOR MORGAN CONSTRUCTION				
			OWNER NYC SCA				
Conns	A36	Unless Noted	ENG. OR ARCH'T SCA				
Holes	13/16	Unless Noted	REV	DATE	DESCRIPTION	PROJ NO.	SHEET NO.
Surf.Pre			1	10-27-10	RELEASED FOR APPROVAL	10058	1E3
Paint			2	01-14-11	RELEASED FOR 2nd APPROVAL		
Made	JL	Date 07-20-10	3				
Chk'd	AC	Date 07-26-10	4				