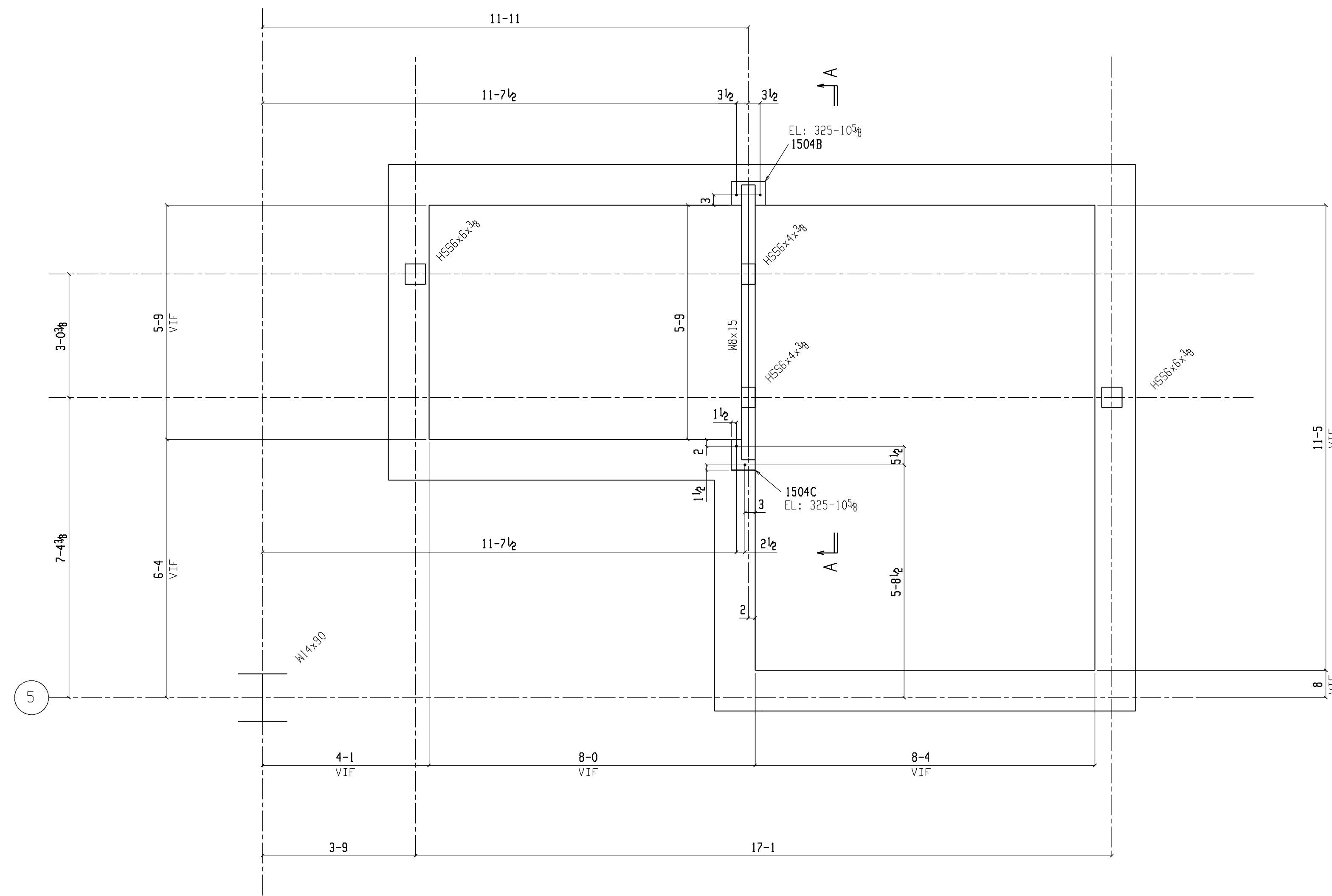


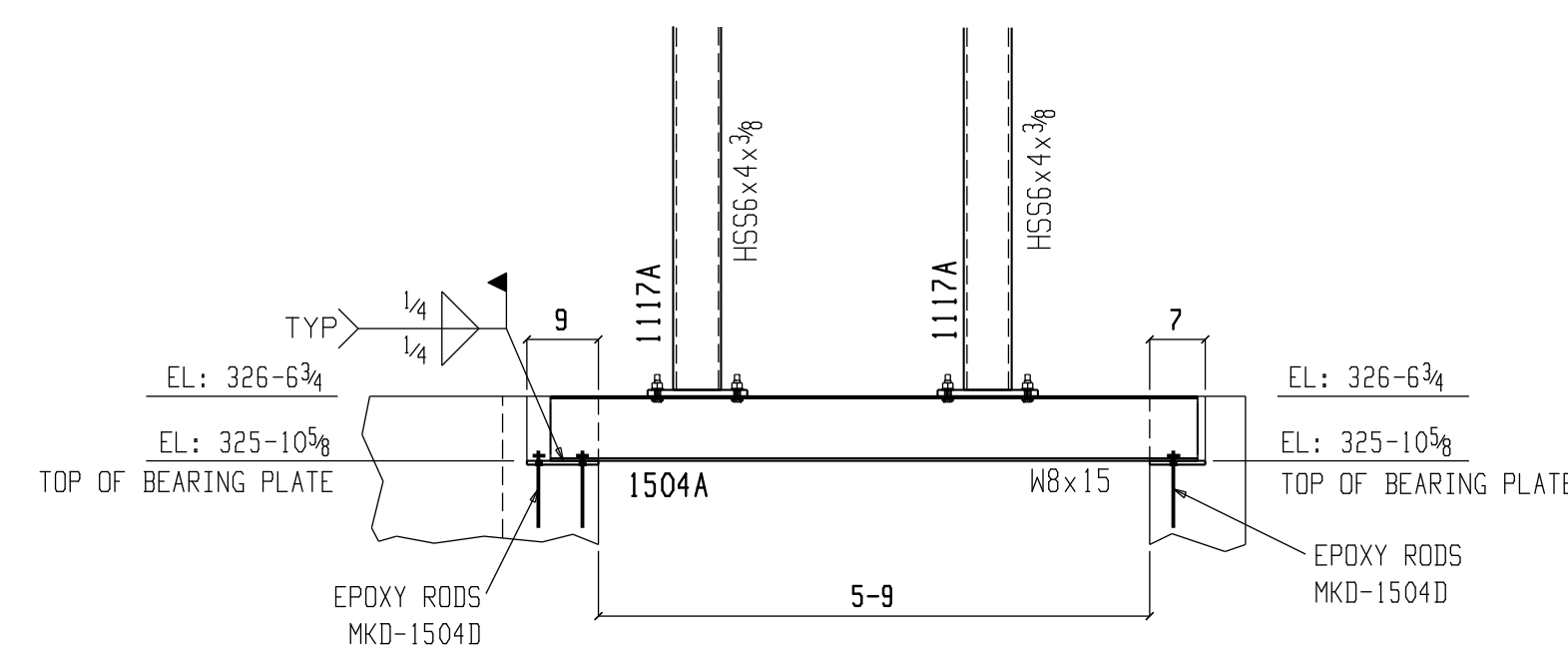
PARTIAL GROUND FLOOR PLAN @ ELEVATOR

- NOTES:
 1. TOP OF STEEL ELEVATION = 326-6 3/4 U.N.O (±) FROM 326-6 3/4
 2. ▶ DENOTES MOMENT CONNECTION
 3. (X) DENOTES THE NUMBER OF SHEAR STUDS PER BEAM
 4. * DENOTES 1" A325 BOLTS IN WEB CONNECTION
 5. ALL MOMENT PADDEL PLATES ARE 1" ø A490 BOLTS



PARTIAL GROUND FLOOR BEARING PLATE PLAN

- NOTES:
 1. SEE PLAN FOR TOP OF BEARING PLATE ELEVATION



SECTION A

ORANGE COUNTY IRONWORKS LLC			
36 MAYBROOK ROAD MONTGOMERY N.Y. 12549			
845-769-3000			
PRINT RECORD		STRUCTURE HUDSON VALLEY MEDICAL BUILDING	
QUANTITY	DATE	COPY	LOCATION CORTLANDT MANOR, NY
			CONTRACTOR BARR & BARR, INC.
			OWNER HUDSON VALLEY MEDICAL BUILDING, LLC
Conns	A36	Unless Noted	ENG. OR ARCH'T PALLANTE DESIGN
Holes	13/16	Unless Noted	REV DATE DESCRIPTION PROJ NO. SHEET NO.
Surf.Pre			1 11-23-10 RELEASED FOR FIELD 10100 1E3
Paint			2
Made	JL	Date 11-23-10	3
Chk'd		Date	4