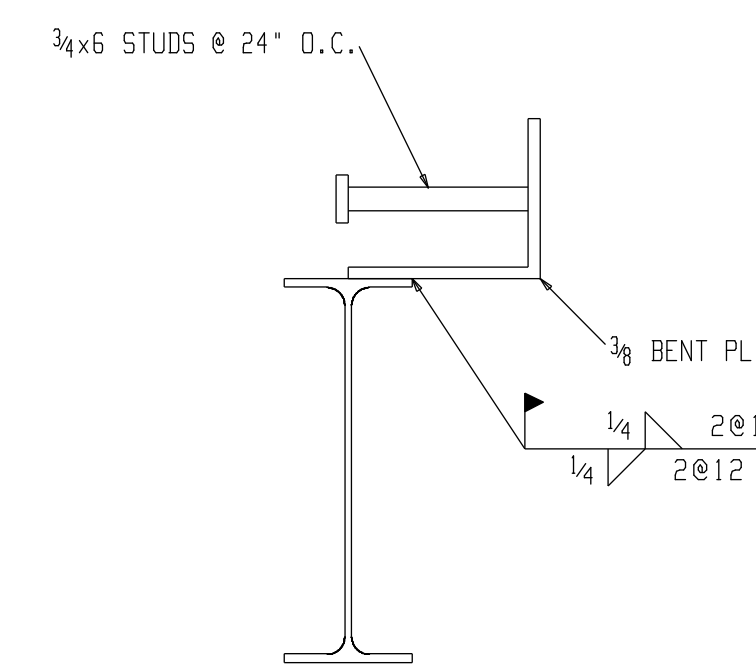


BENT PLATE PLAN @ STAIRS



TYPICAL BNT PL SECTION

<b>ORANGE COUNTY IRONWORKS LLC</b>				
36 MAYBROOK ROAD MONTGOMERY N.Y. 12549 845-769-3000				
PRINT RECORD			STRUCTURE HUDSON VALLEY MEDICAL BUILDING	
QUANTITY	DATE	COPY	LOCATION CORTLANDT MANOR, NY	
			CONTRACTOR BARR & BARR, INC.	
			OWNER HUDSON VALLEY MEDICAL BUILDING, LLC	
Conns. A36 Unless Noted			ENG. OR ARCH'T PALLANTE DESIGN	
Holes 13/16 Unless Noted	REV	DATE	DESCRIPTION	PROJ NO. SHEET NO.
Surf. Prep	1	01-03-11	RELEASED FOR FIELD	10100 1E4
Paint	2			
Made JL Date 01-03-11	3			
Chk'd Date	4			