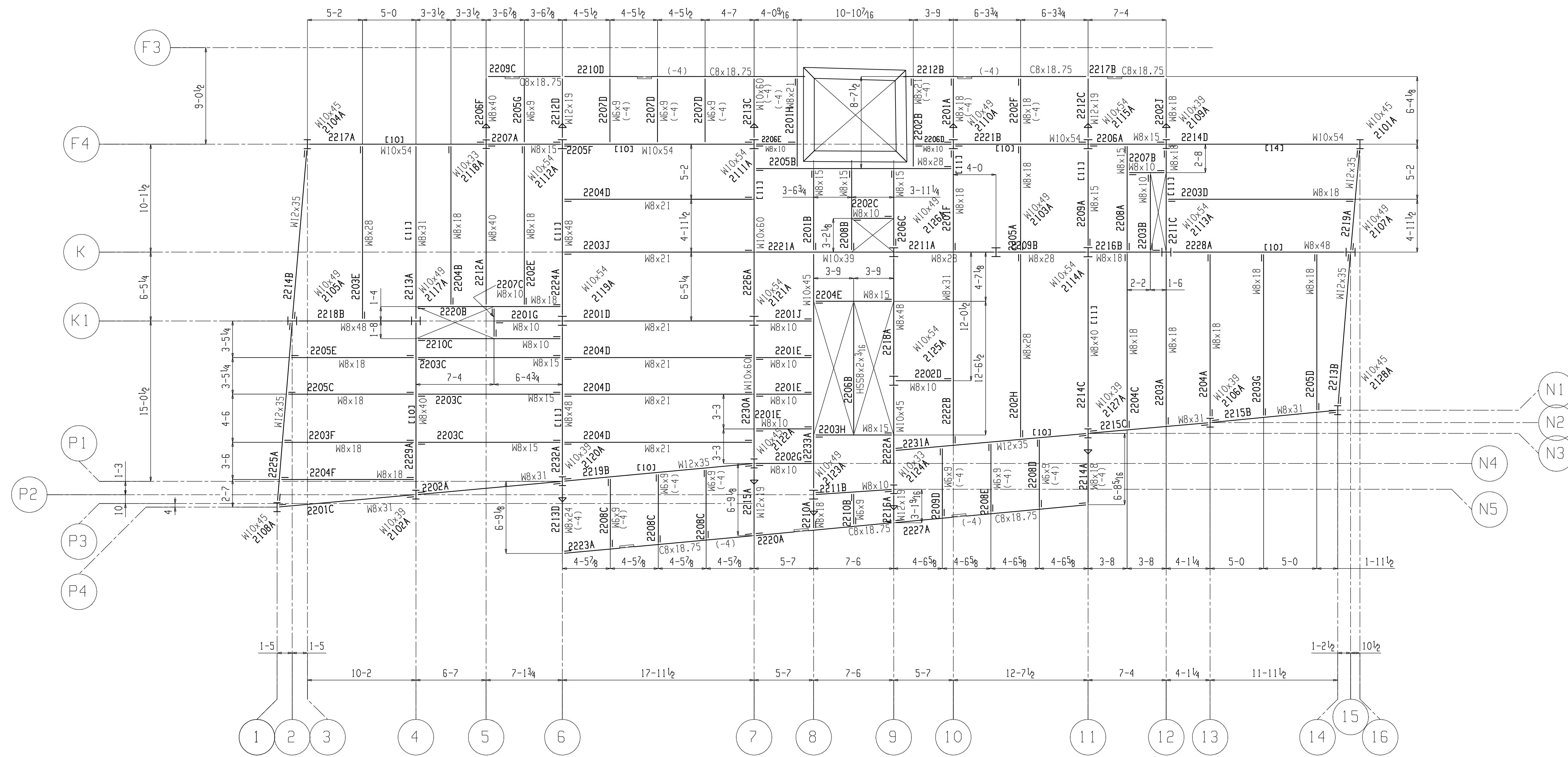


PLAN KEY



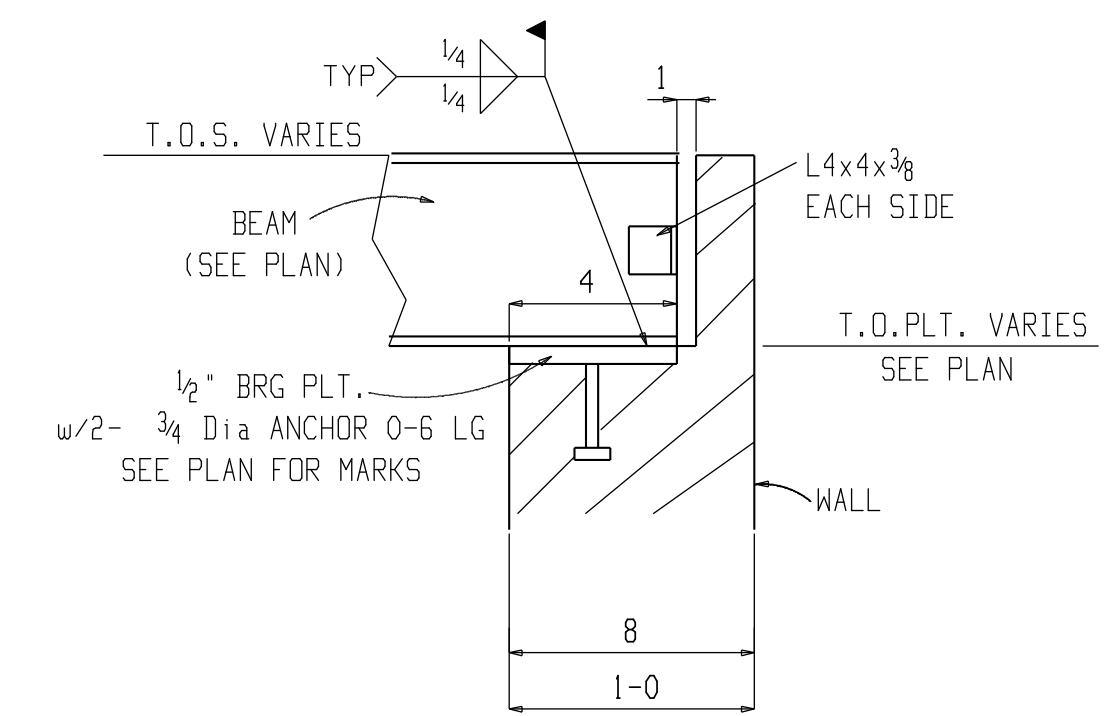
SEQUENCE ~2

### 3RD FLOOR PLAN BUILDING SECTION "B"

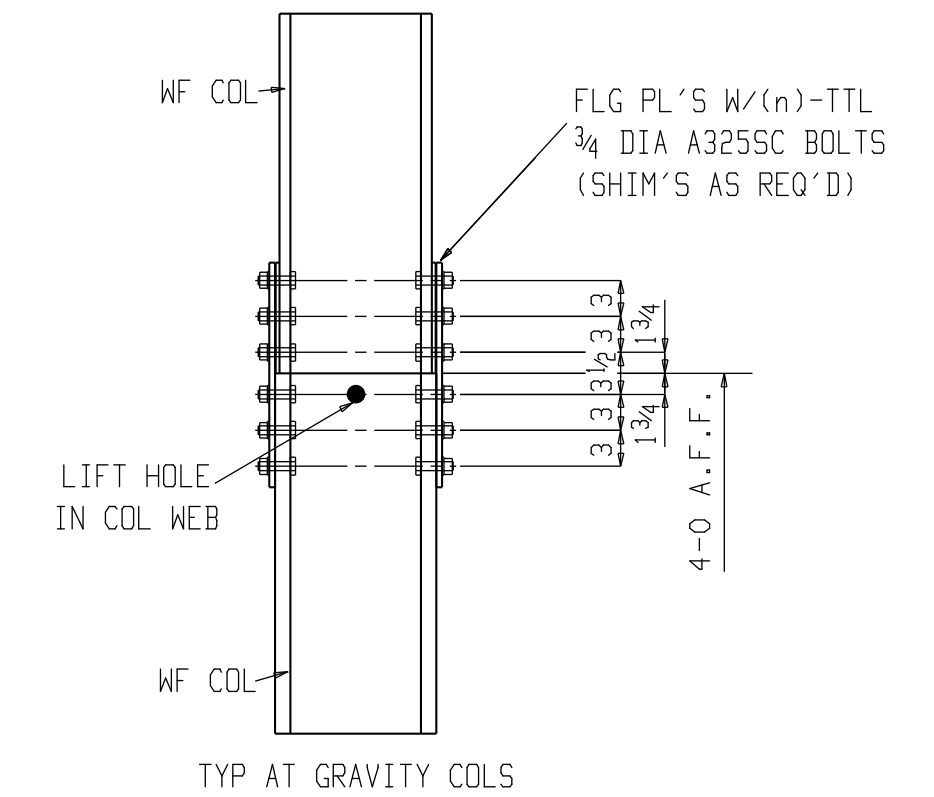
TOS Elevation: 19-8 (U.N.)

▶ INDICATES MOMENT CONNECTION.

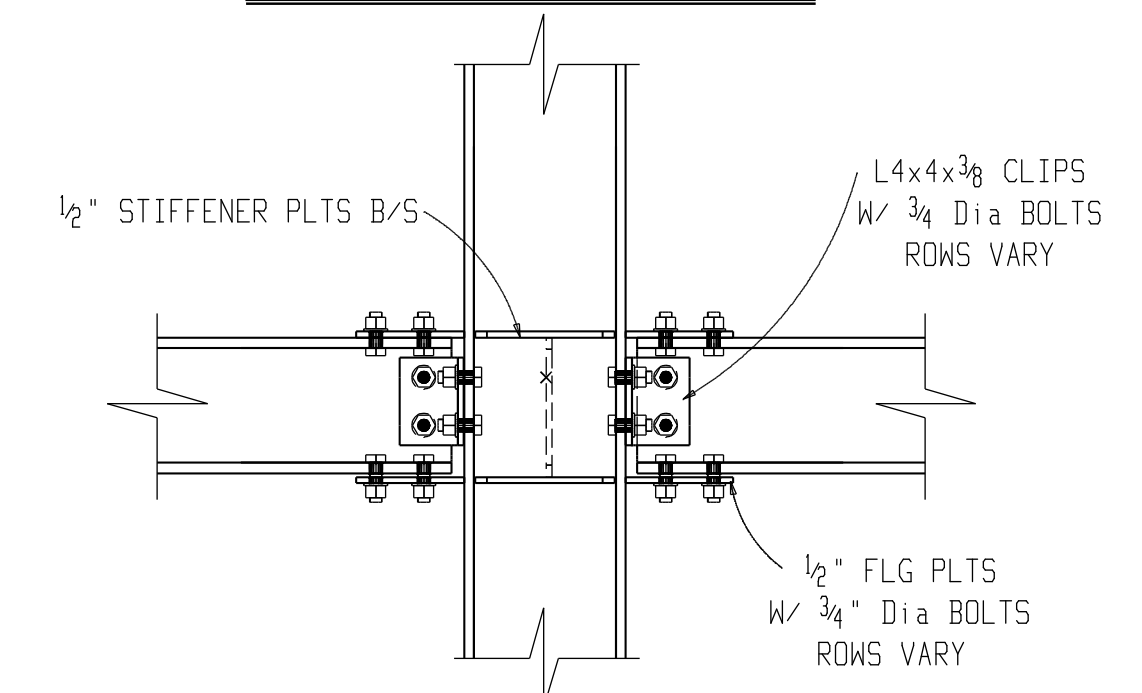
[...] DENOTES NUMBER OF 3/4" Dia 3" HEADED SHEAR STUDS



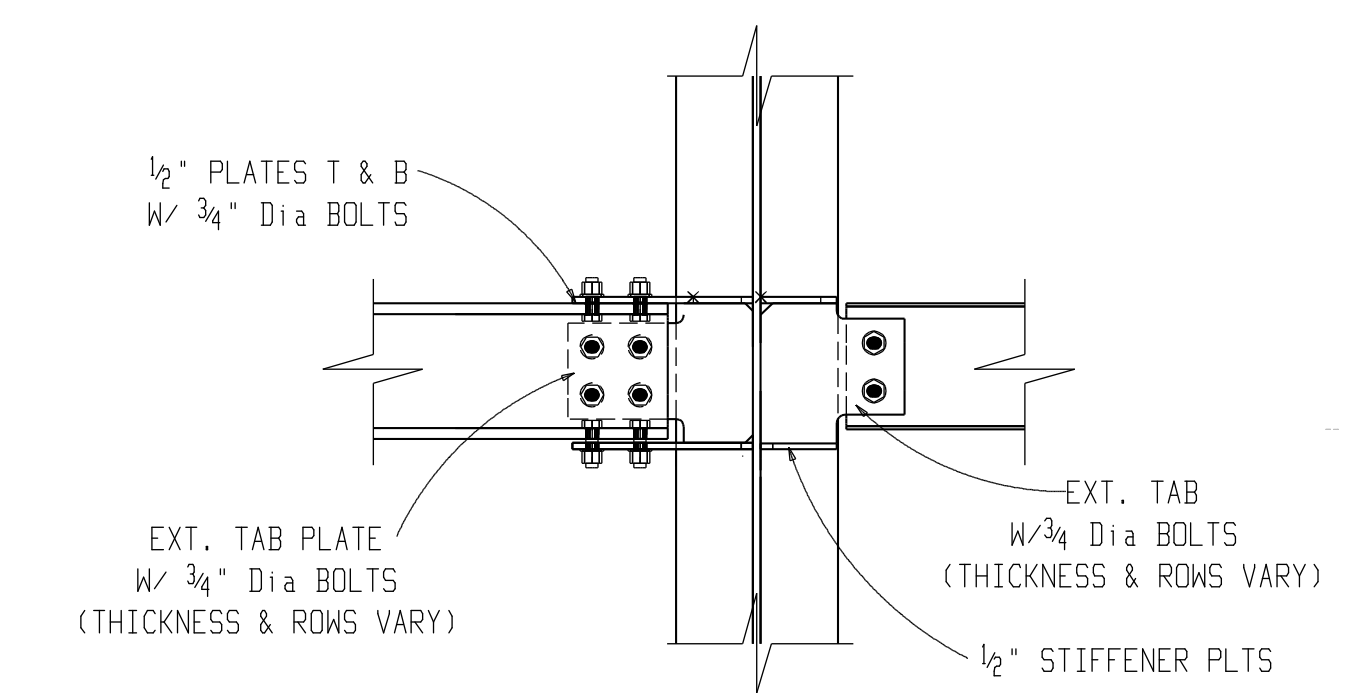
TYP BEAM BEARING DETAIL



TYP COLUMN SPLICE



TYP STG AXIS MOMENT CONN



TYP WEAK AXIS MOMENT CONN

<b>ORANGE COUNTY IRONWORKS LLC</b>			
27 STONE CASTLE ROAD ROCK TAVERN N.Y. 12575			
845-564-8421			
PRINT RECORD		STRUCTURE 50 NORTH 1st STREET	
QUANTITY	DATE	COPY	LOCATION BROOKLYN, NY
			CONTRACTOR WTC CONSTRUCTION
			OWNER
Conns	Unless Noted	ENG. OR ARCH'T	ALAN PATRICK BRUTON
Holes	13/16	Unless Noted	
Paint	NO PAINT	REV	DATE DESCRIPTION PROJ NO. SHEET NO.
Made	LRH Date 03-03-08	1	03-03-08 RELEASED FOR APPROVAL 8011 2E1
Chk'd	JPT Date 03-08-08	2	05-01-08 REVISED & RELEASED FOR FIELD
		3	05-13-08 REVISED & RELEASED FOR FIELD
		4	