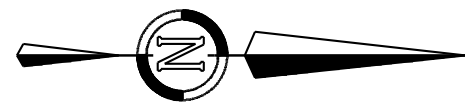


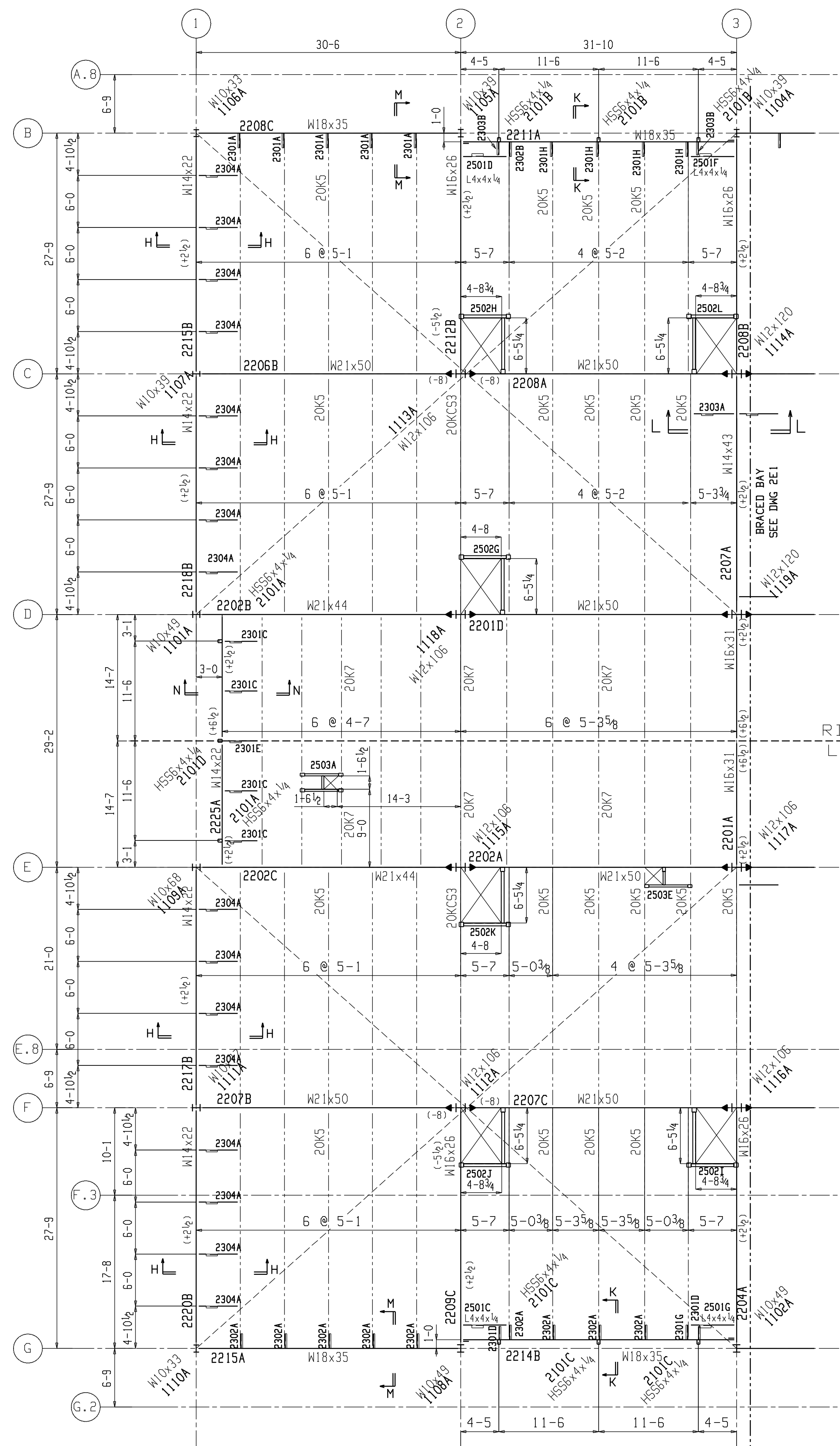
SEQUENCE #2



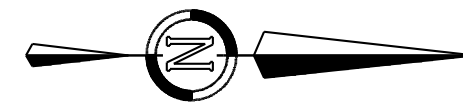
4TH FLOOR FRAMING PLAN

TOS EL: 41-0 (U.N.)

DENOTES MOMENT CONNECTION
 [...] DENOTES SHEAR STUD QUANTITY
 SEE DWG 2E2 & 2E3 FOR TYP DETAILS AND SECTIONS



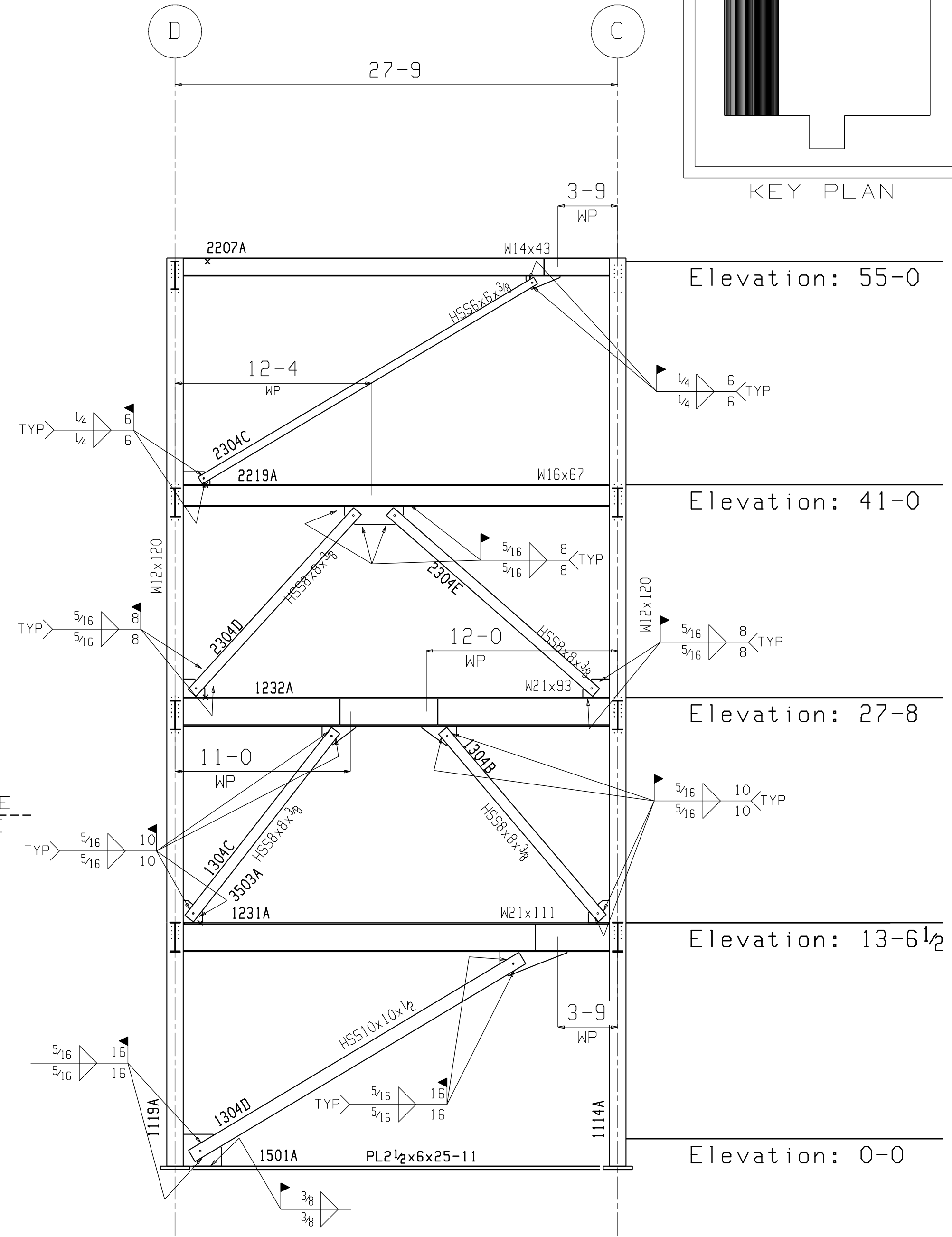
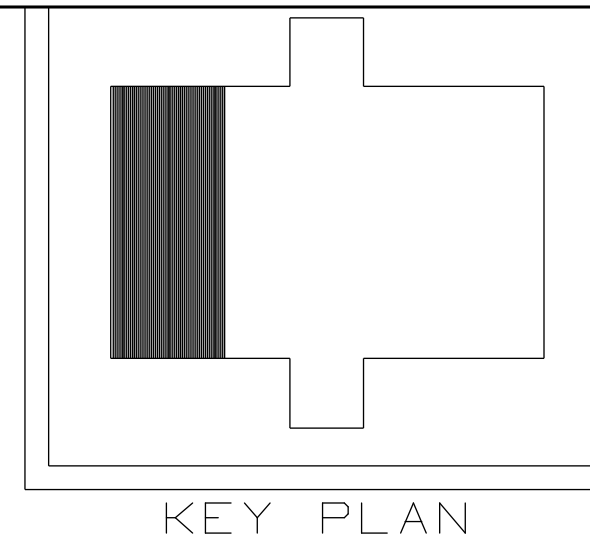
SEQUENCE #2



ROOF FRAMING PLAN

TOS EL: 55-0 (U.N.)

DENOTES MOMENT CONNECTION
 [...] DENOTES SHEAR STUD QUANTITY
 SEE DWG 2E2 & 2E3 FOR TYP DETAILS AND SECTIONS



LINE 3 BRACING

ORANGE COUNTY IRONWORKS LLC
 27 STONE CASTLE ROAD ROCK TAVERN N.Y. 12575
 845-564-8421

PRINT RECORD			STRUCTURE CRYSTAL RUN HEALTHCARE				
QUANTITY	DATE	COPY	LOCATION WALLKILL, NY				
			CONTRACTOR BBL CONSTRUCTION SERVICES				
			OWNER BBL MEDICAL FACILITIES				
Conns			ENG. OR ARCH'T HCP ARCHITECTS				
Holes			REVISIONS				
Paint			REV	DATE	DESCRIPTION	PROJ NO.	SHEET NO.
Made			1	05-08-08	RELEASED FOR APPROVAL	8037	2E1
Chk'd			2	07-09-08	RELEASED FOR FABRICATION		
			3	07-16-08	RE-RELEASED FOR FAB		