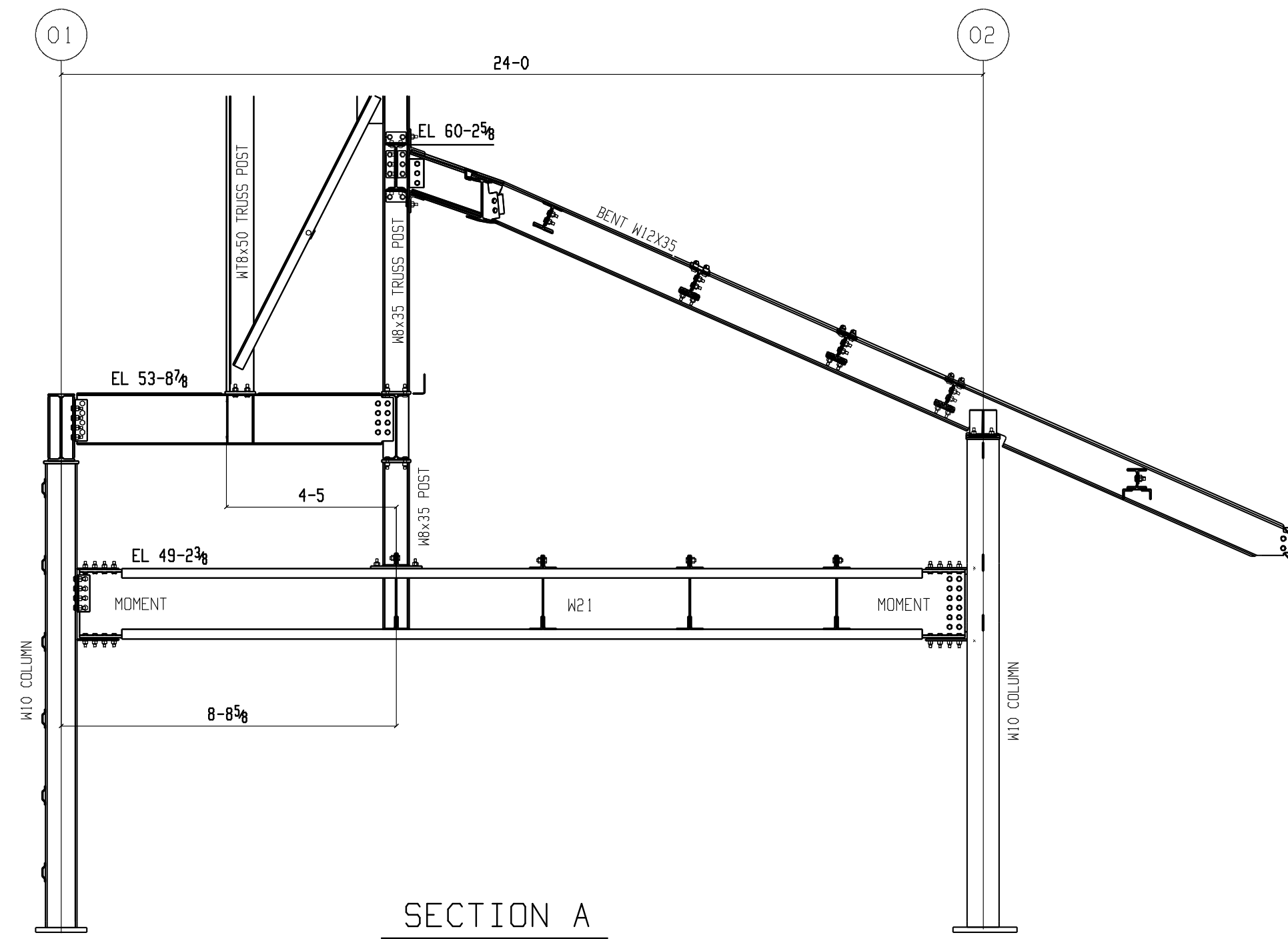
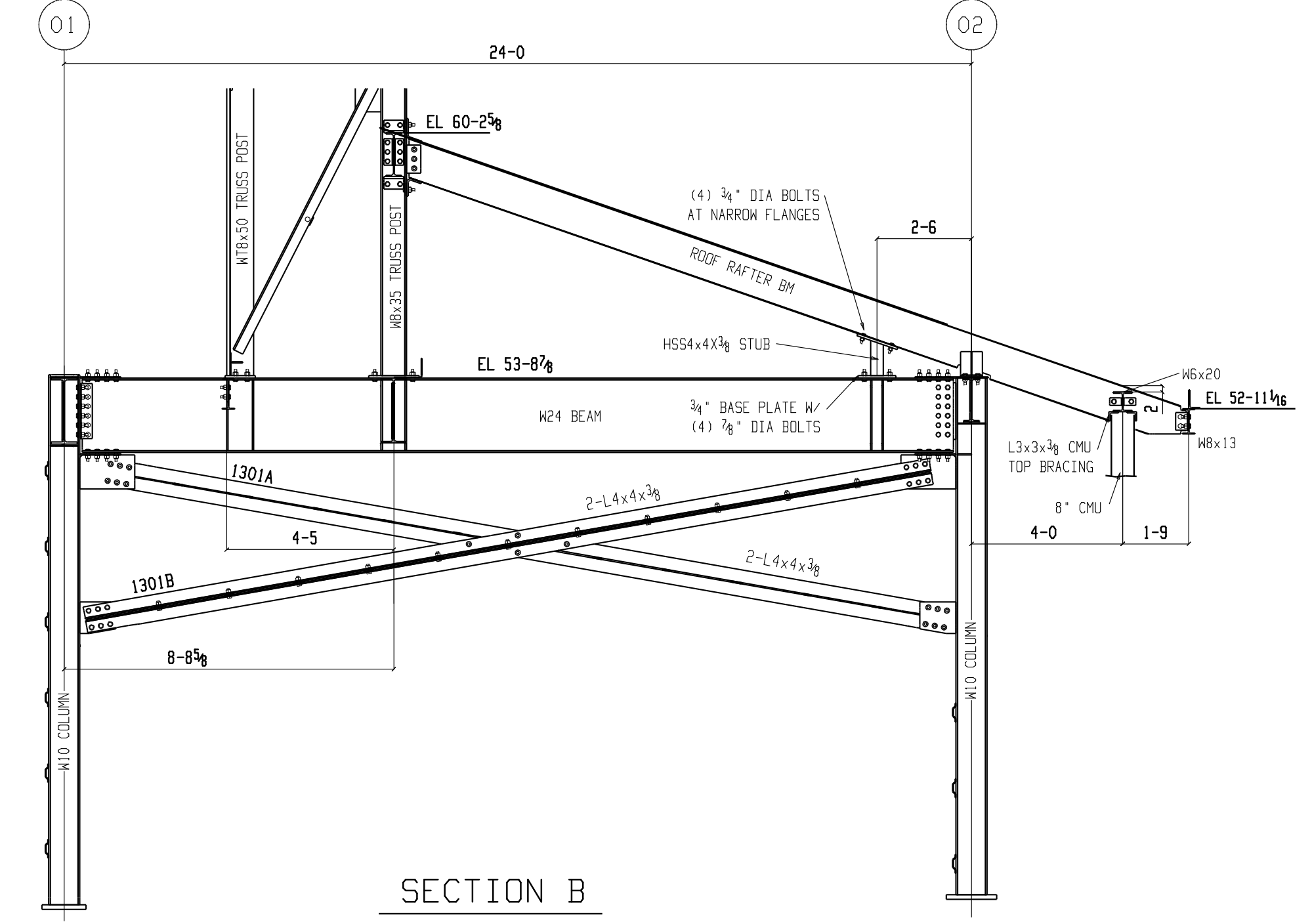


**2ND FLOOR PART PLAN**

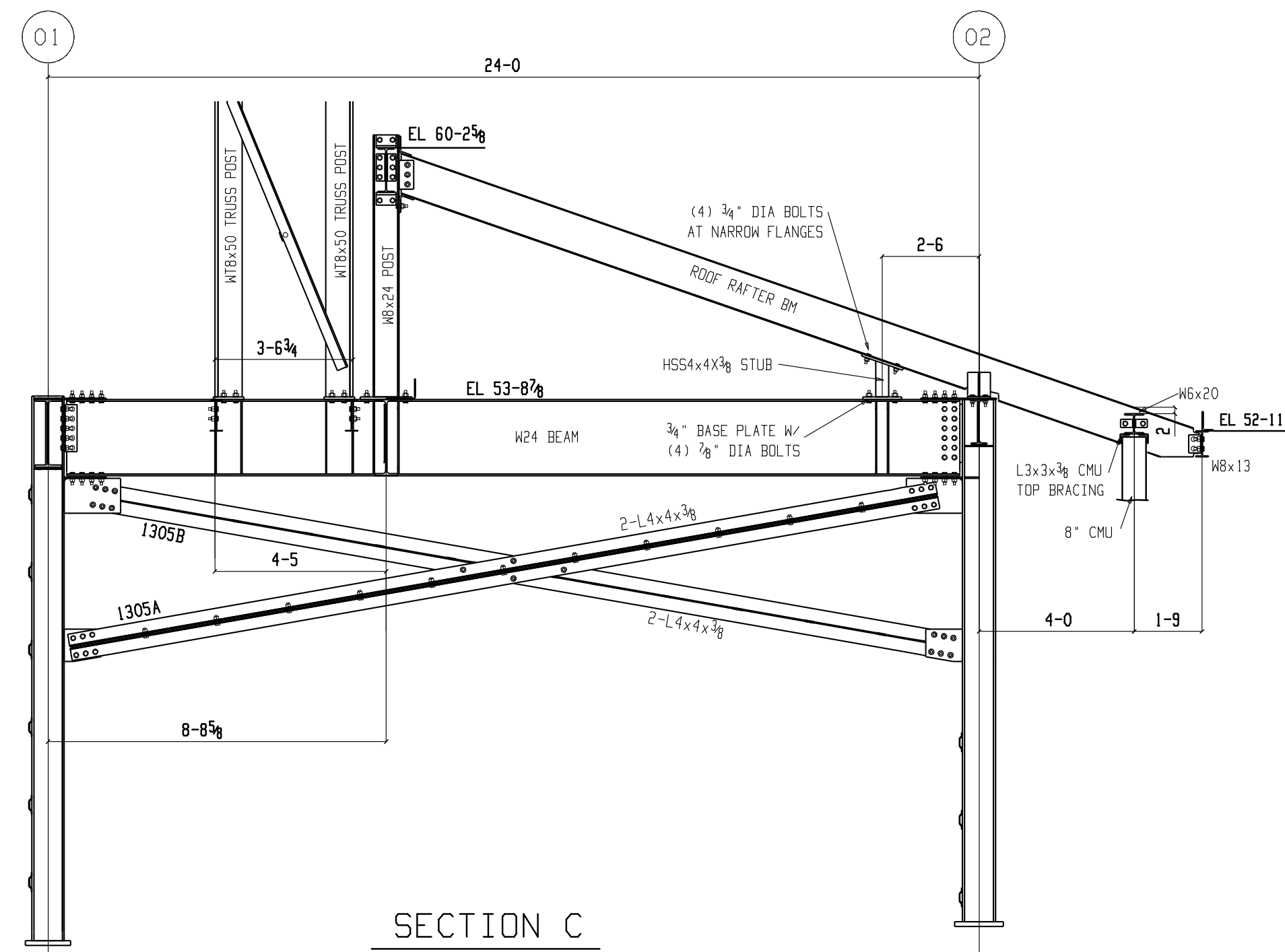
T.O.S. EL. 53'-8 7/8 U.N.O  
 \*\* - DENOTES 3/4" A325 FIELD BOLTS  
 7/8" DIA A325 FIELD BOLTS TYP UNO



SECTION A



SECTION B



SECTION C

**ORANGE COUNTY IRONWORKS LLC**  
 27 STONE CASTLE ROAD ROCK TAVERN N.Y. 12575  
 845-564-8421

PRINT RECORD			STRUCTURE 839 6TH AVE.				
QUANTITY	DATE	COPY	LOCATION NEW YORK, NEW YORK				
			CONTRACTOR M.D. CARLISLE CONSTRUCTION CORP.				
			OWNER CARLISLE 839 LLC				
Conns	A36	Unless Noted	ENG. OR ARCH'T PERKINS EASTMAN				
Holes	15/16	Unless Noted	REV	DATE	DESCRIPTION	PROJ NO.	SHEET NO.
Surf.	Prep		1	11-12-09	RELEASED FOR APPROVAL	9062	2E1
Paint			2	01-16-10	RELEASED FOR FIELD		
Made	JL	Date 11-06-09	3	2-6-10	RELEASED FOR FIELD		
Chk'd	AC	Date 11-11-09	4				

SEE 2E6 FOR SECTIONS UNO