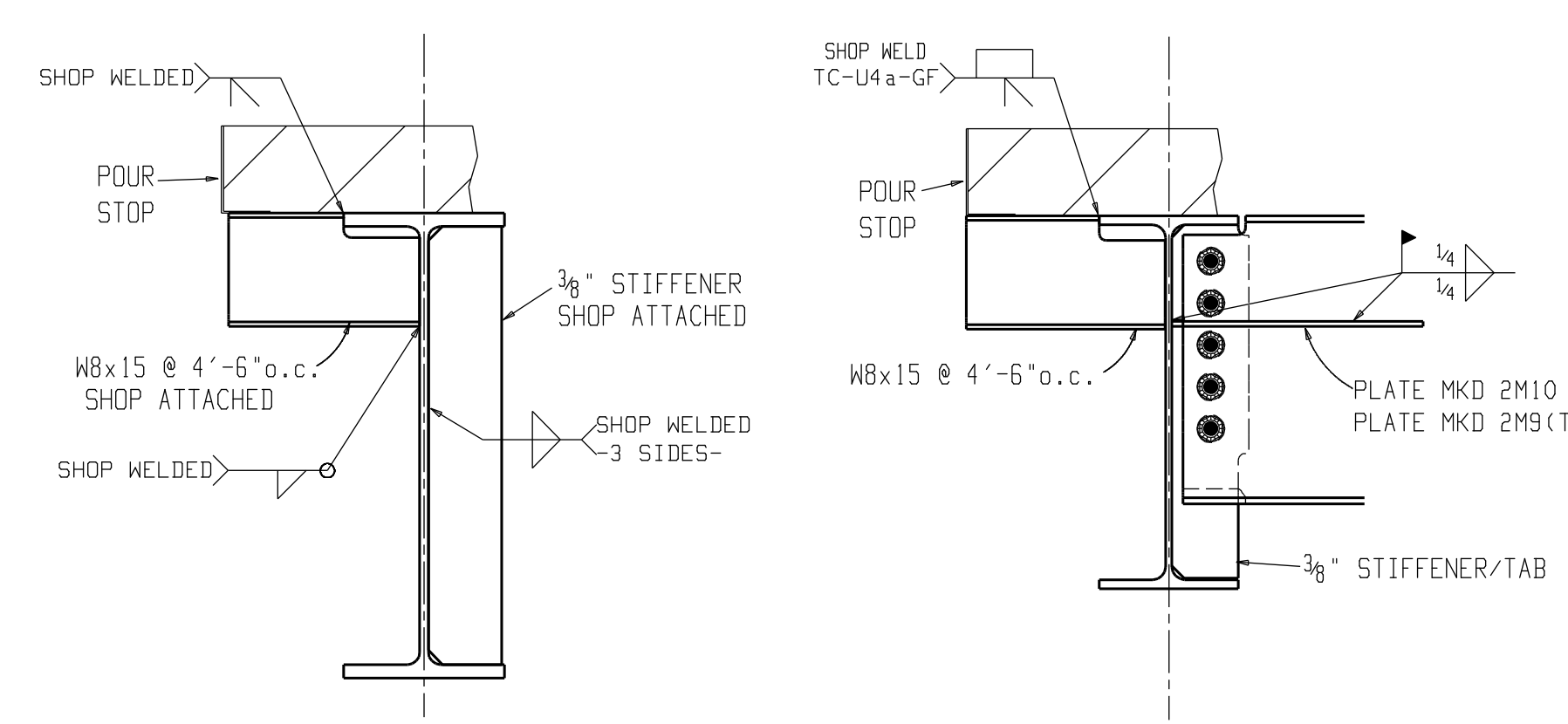
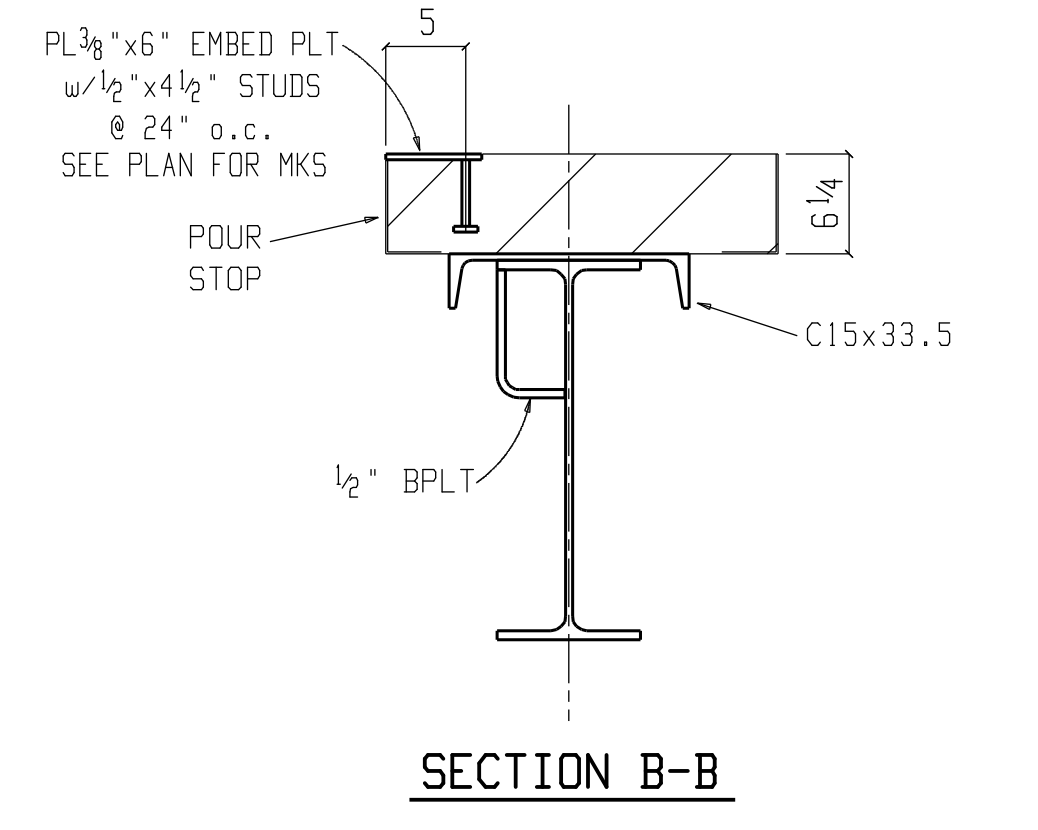


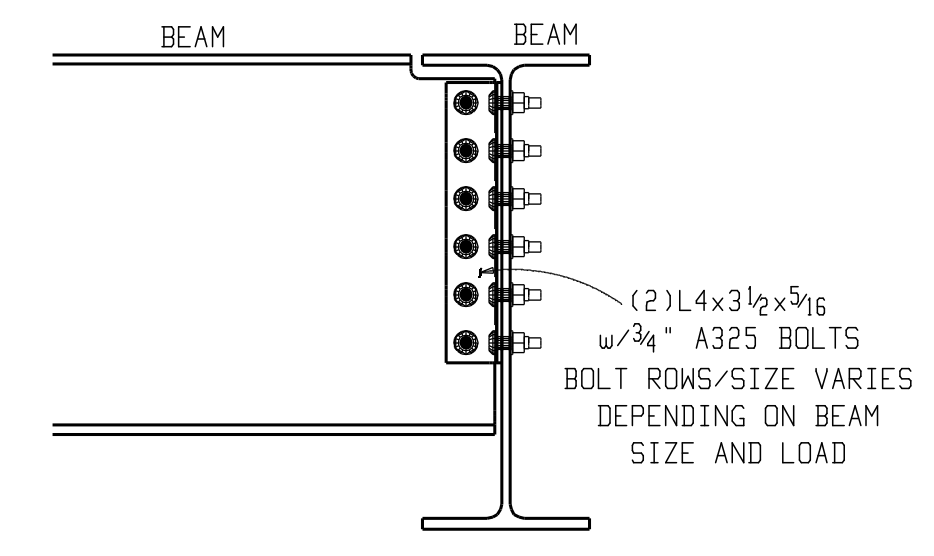
**2nd FLOOR**  
 Elevation: 64'-5 3/4" (U.N.)  
 \* ~DENOTES 1" Dia BOLTS



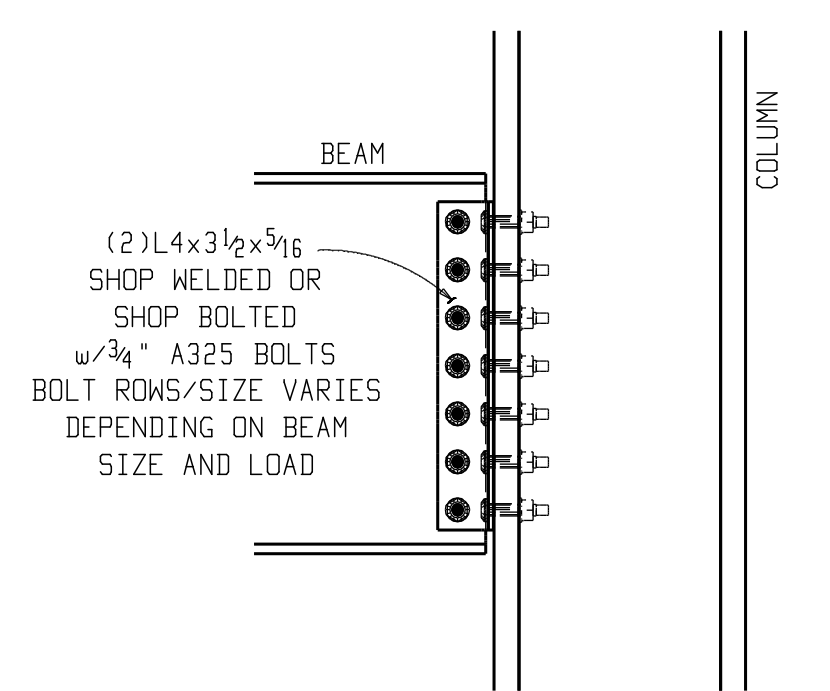
**SECTION A-A**  
 @ BEAM CONNECTION



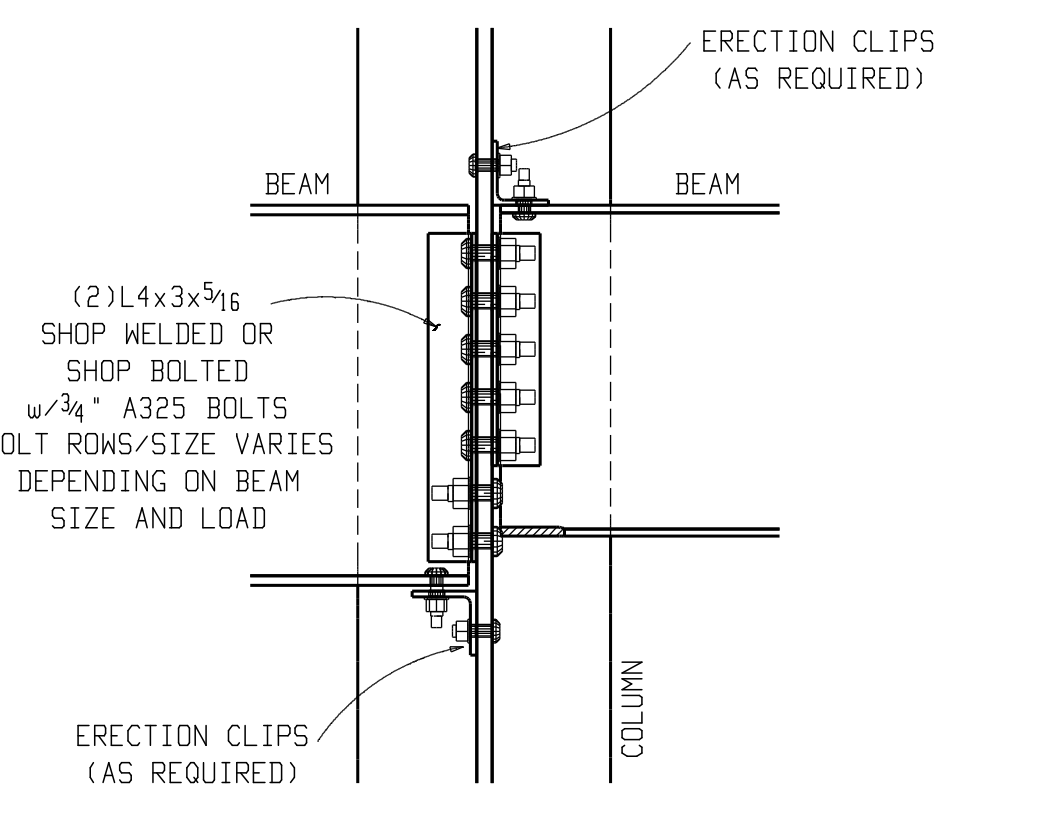
**SECTION B-B**



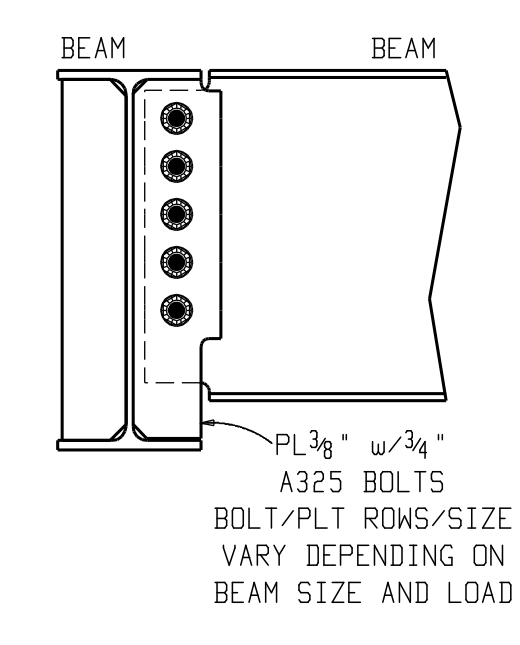
**TYPICAL BEAM TO BEAM**



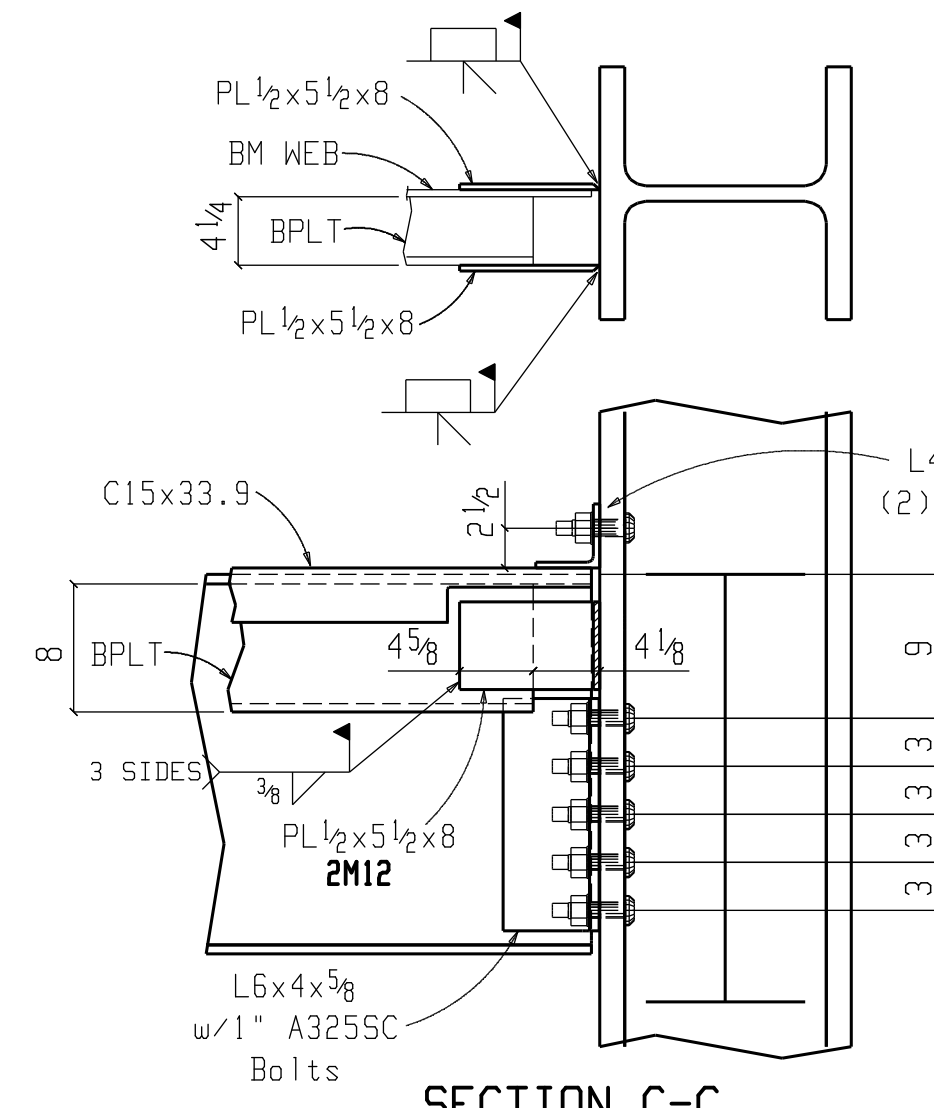
**TYPICAL BEAM TO COLUMN**



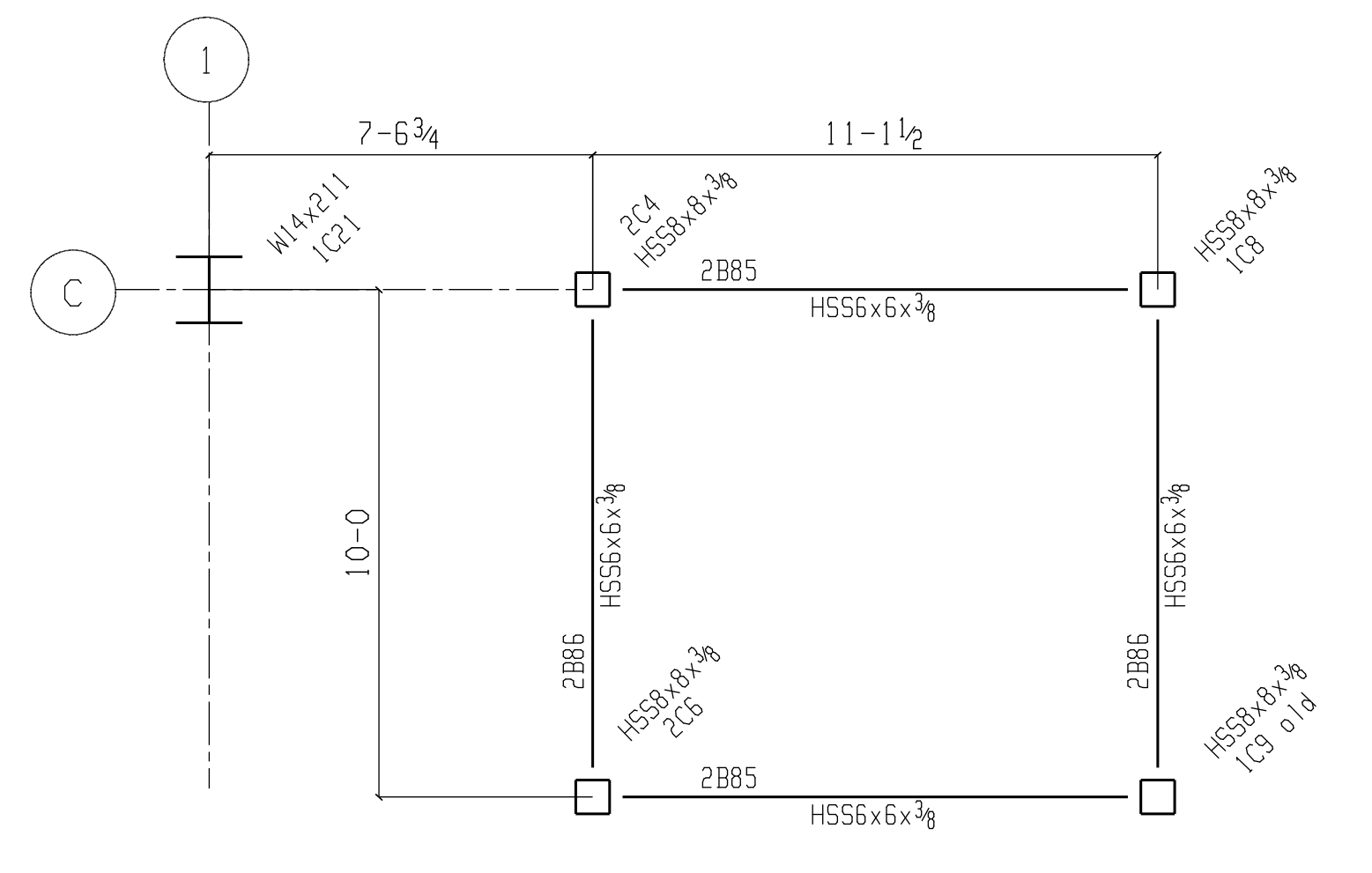
**TYPICAL BEAM TO COLUMN**



**TYPICAL BEAM TO BEAM**  
 @ STIFFENER



**SECTION C-C**



**HSS ELEVATION**  
 Elevation: 55'-6 7/8" (U.N.)

SINGLE ROW OF 4 HOLES IN COLUMNS ARE FOR SAFETY CABLE INSTALLATION ONLY

CLOUDED HOLES ON DETAIL DRAWINGS ARE FOR SHOP CLARITY ONLY

2	10-28-10	FOR FIELD	STEEL FABRICATOR	<b>BARONE STEEL FABRICATORS</b>
1	08-28-10	FOR APPROVAL		271 40TH STREET BROOKLYN, NY 11222
0	08-01-10	FOR APPROVAL		
REV.	DATE	DESCRIPTION	BY	
HOLE: 1 3/16" DIA. UNO			DETAILER <b>KENNEBEC VALLEY DETAILERS, LLC</b>	
BOLTS: 3/4" DIA. A325TC UNO			PHONE: (207) 622-2255 FAX: (207) 512-2327	
PAINT: NO PAINT UNO			PROJECT <b>CITY POINT</b>	
MATERIAL: SHAPES - STEEL A992 GR. 50 - UNO.			DESIGNED BY <b>LRH</b>	
TUBES - STEEL A500 GR. B - UNO.			DATE <b>07-08-10</b>	
CHANNELS, ANGLES AND PLATES - A36 GR 36.			ENGINEER	
ARCHITECT <b>NIEDO ASSOCIATES ARCHITECTS/PLANNERS</b>			CHECKED BY <b>2E1</b>	