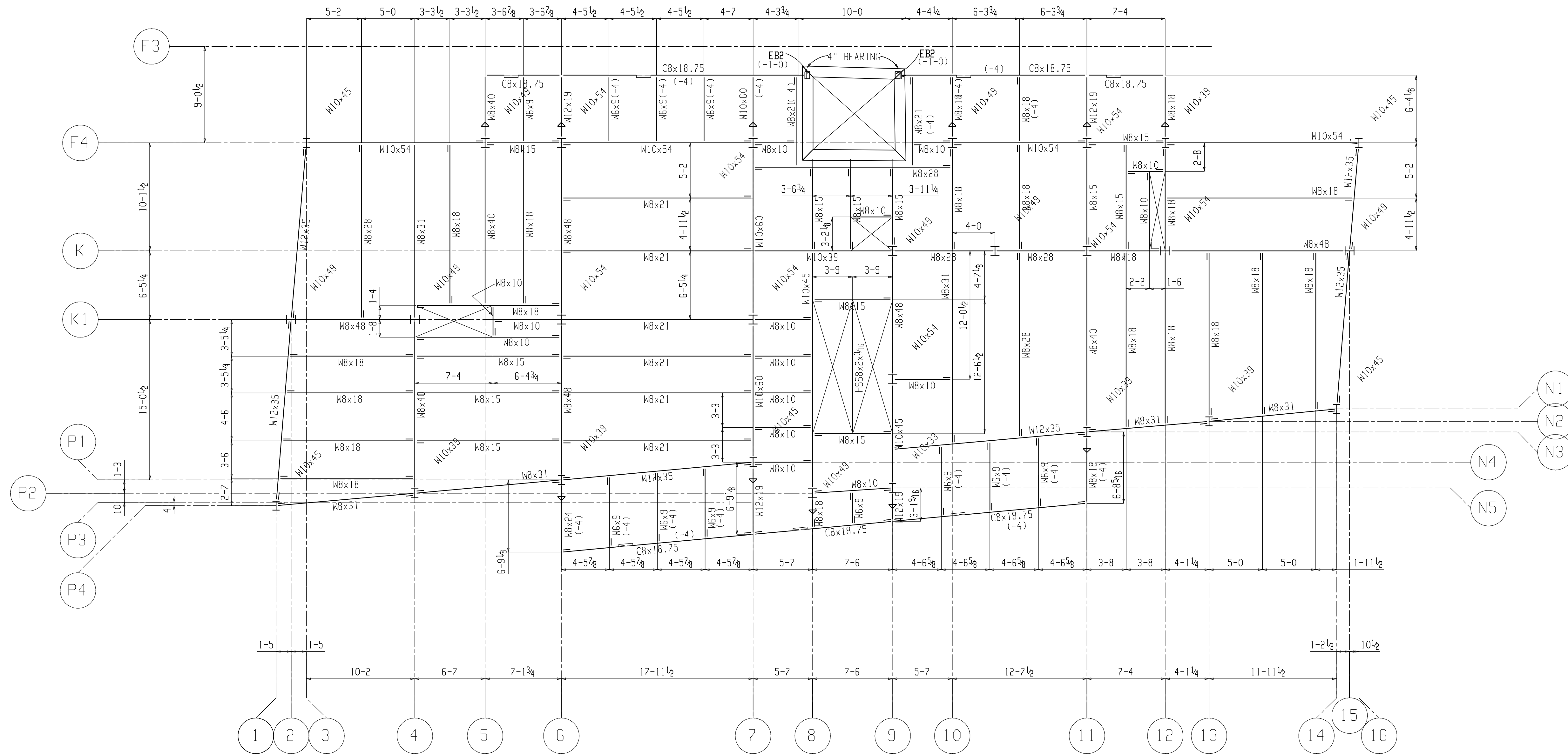


PLAN KEY



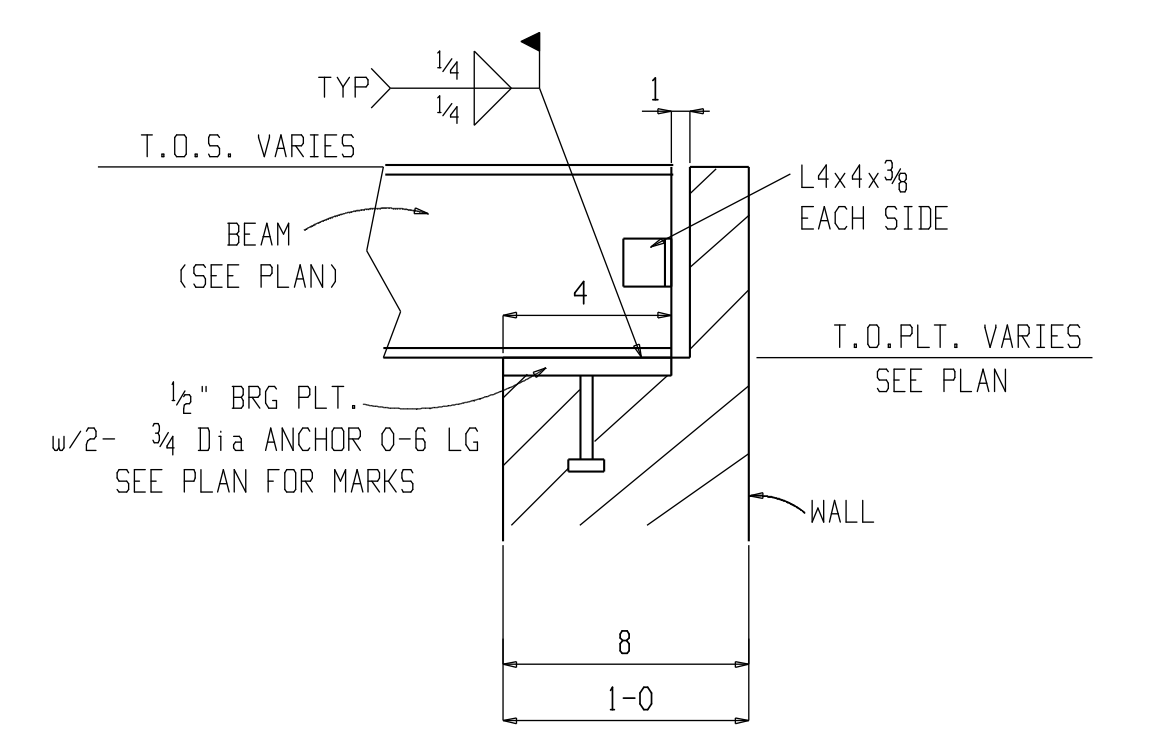
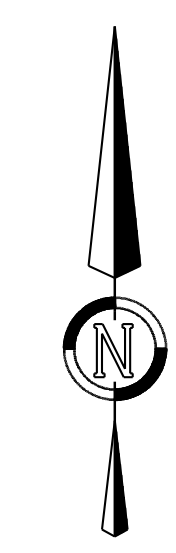
SEQUENCE ~2

3RD FLOOR EMBED PLAN BUILDING SECTION "B"

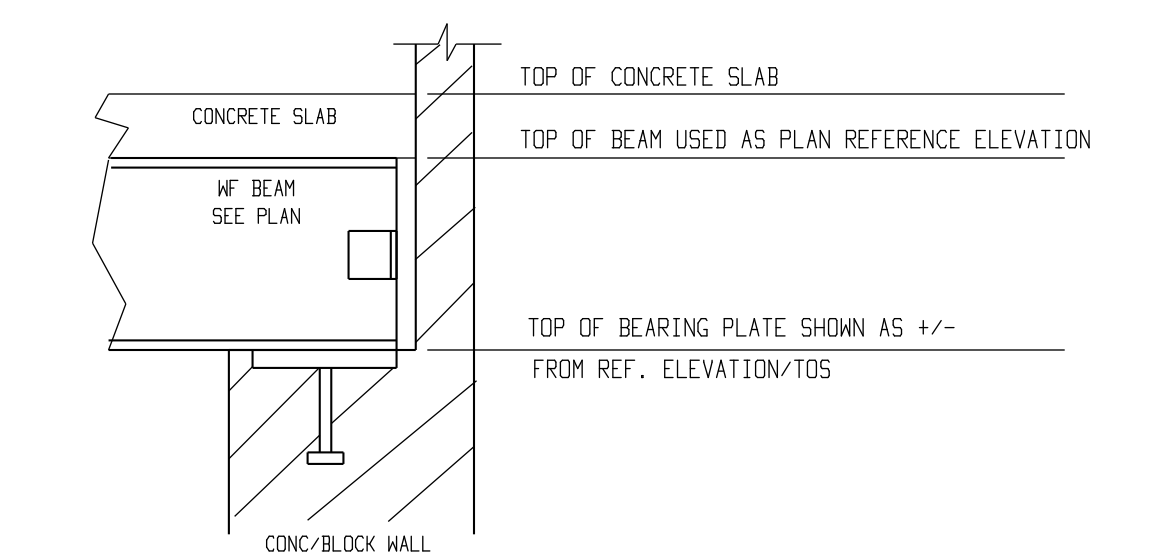
TOS Elevation: 19-8 (U.N.)

BEARING PLATES CENTERED ON BEAMS

▶ INDICATES MOMENT CONNECTION.



TYP BEAM BEARING DETAIL



TYP BEARING PLATE ELEVATION

EX. TOP OF 4" CONCRETE = 20-0
 TOP OF 8" BEAM = 19-8
 TOP OF BEARING PLT = 19-0
 THEREFORE OUR REFERENCE ELEVATION WOULD BE TOS 19'-8"
 THE PLAN VIEW WOULD SHOW MINUS (-8") FOR TOP OF BEARING PLT

ORANGE COUNTY IRONWORKS LLC			
27 STONE CASTLE ROAD ROCK TAVERN N.Y. 12575 845-564-8421			
PRINT RECORD		STRUCTURE 50 NORTH 1st STREET	
QUANTITY	DATE	DESCRIPTION	LOCATION BROOKLYN, NY
			CONTRACTOR WTC CONSTRUCTION
			OWNER
Conns	Unless Noted	ENG. OR ARCH'T	ALAN PATRICK BRUTON
Holes	13/16 Unless Noted	REV	DATE DESCRIPTION
Paint	NO PAINT	1	03-03-08 RELEASED FOR APPROVAL
Made	LRH Date 03-03-08	2	05-01-08 REVISED & RELEASED FOR FIELD
Chk'd	JPT Date 03-08-08	3	
		4	
			PROJ NO. 8011 SHEET NO. 2E2