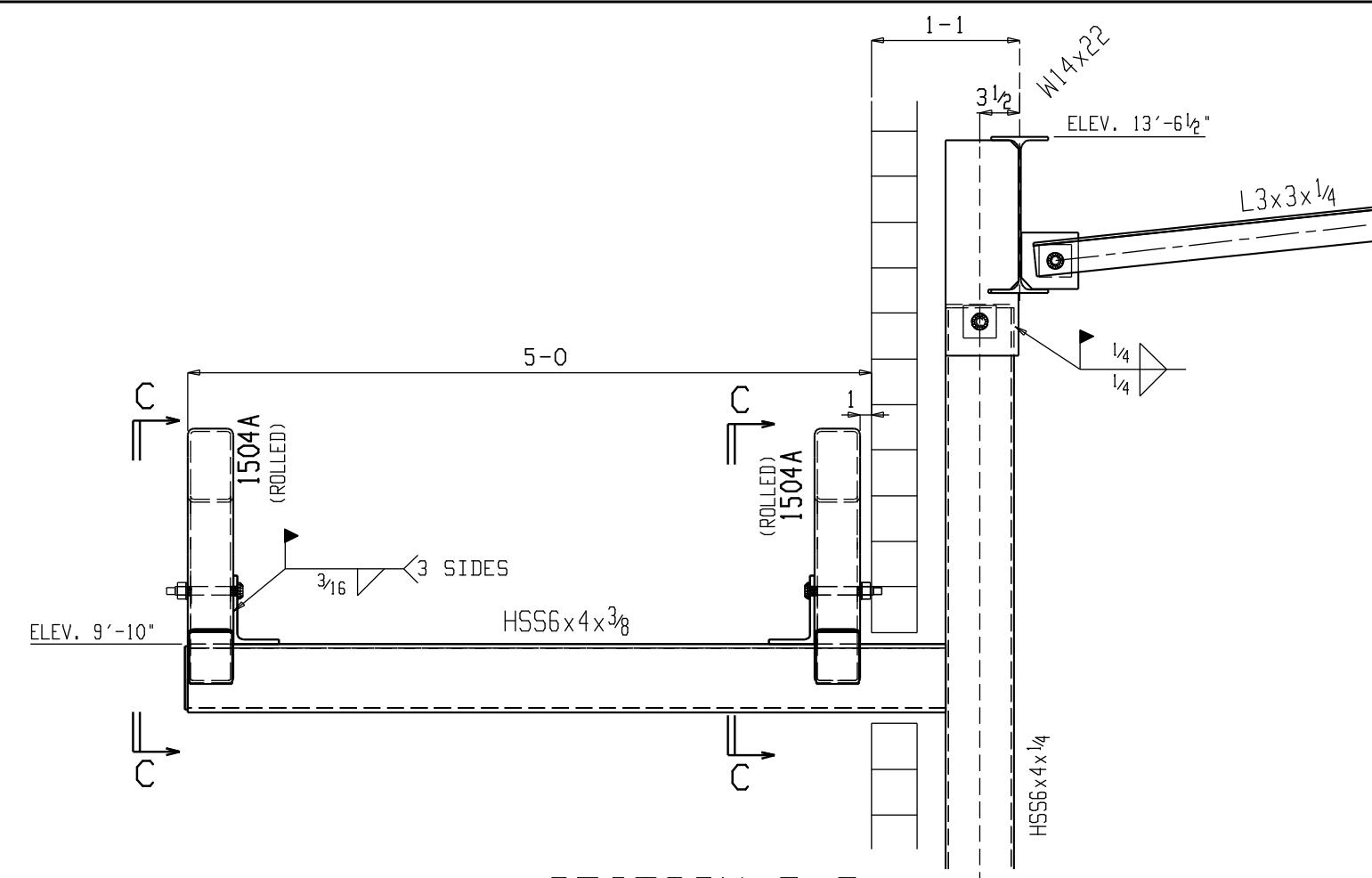
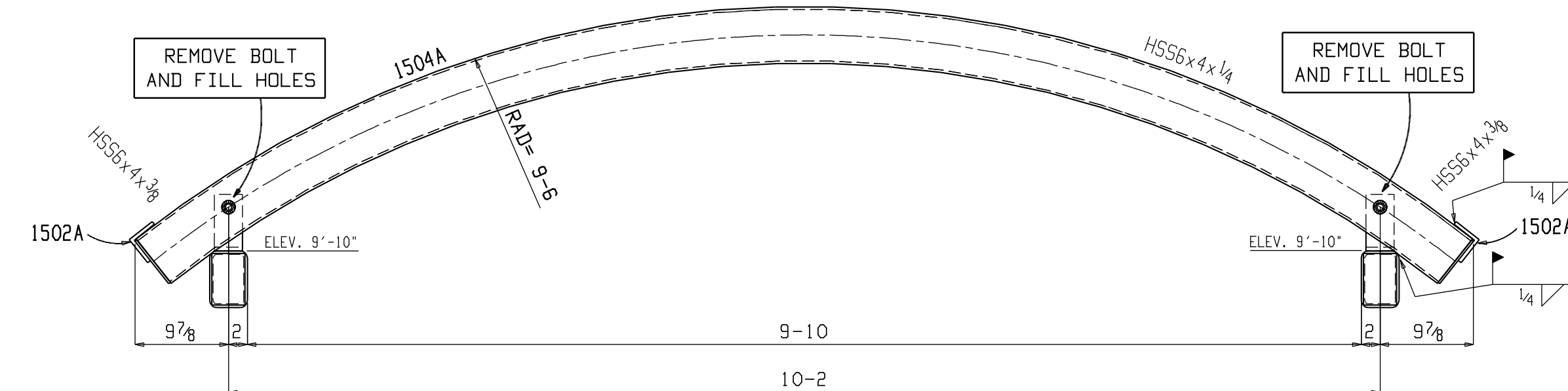


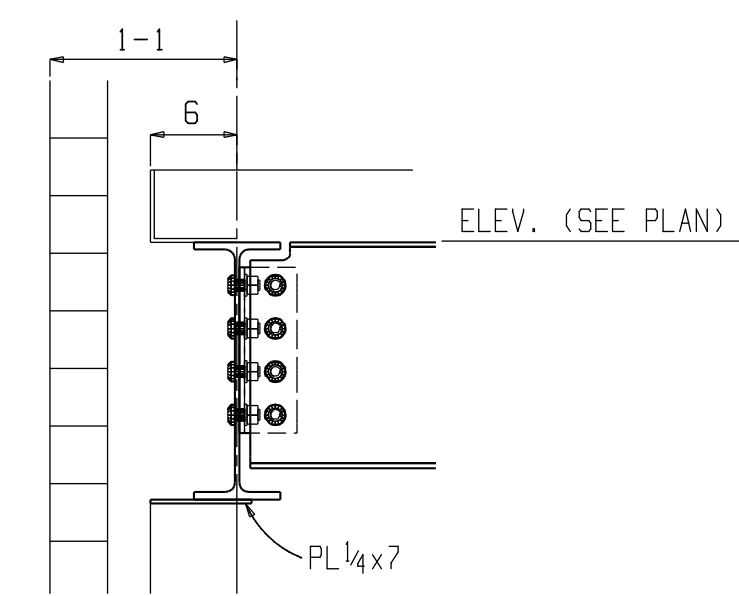
SECTION A-A



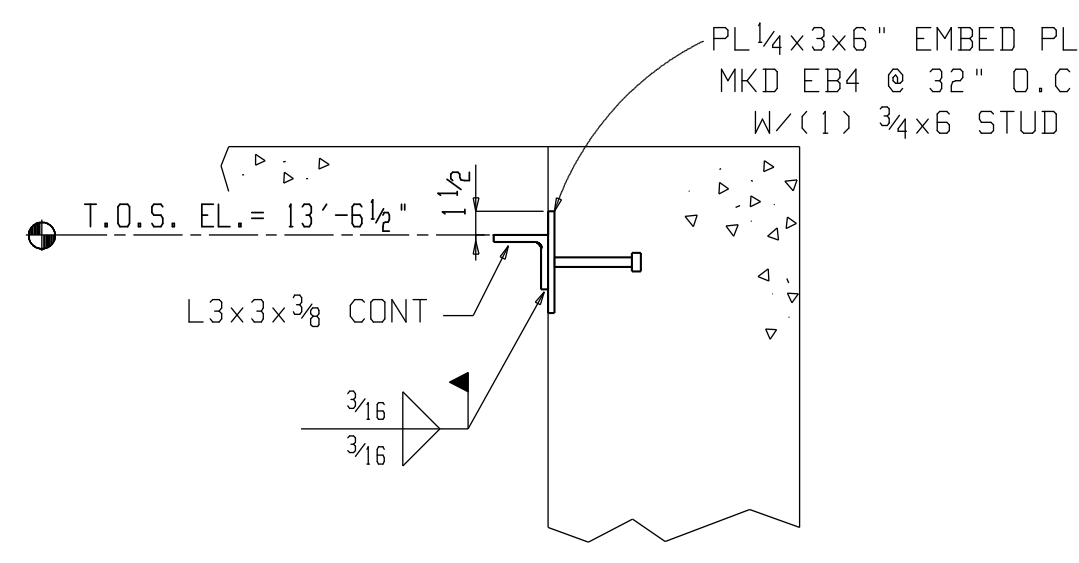
SECTION B-B



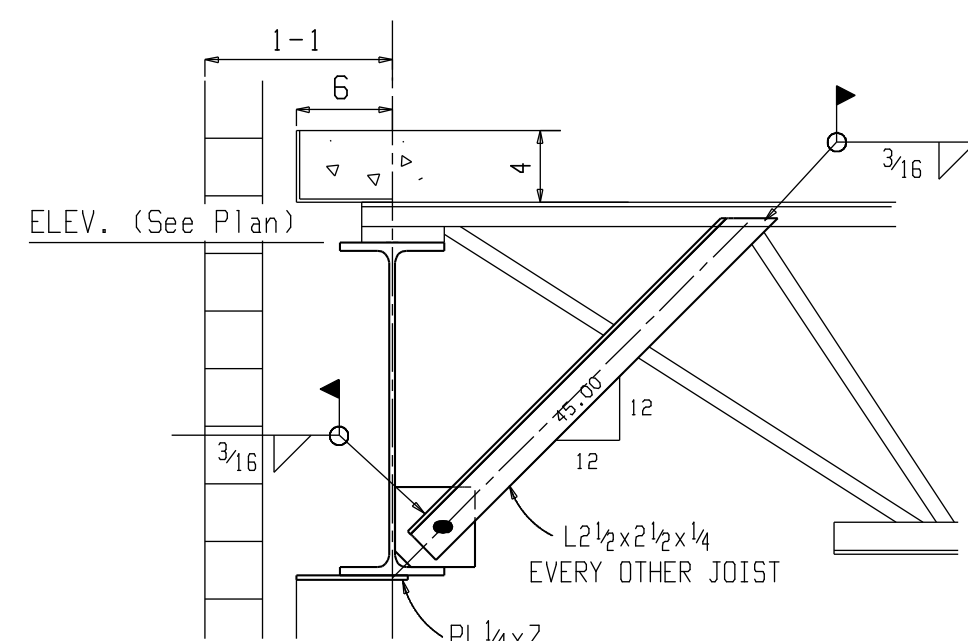
SECTION C-C



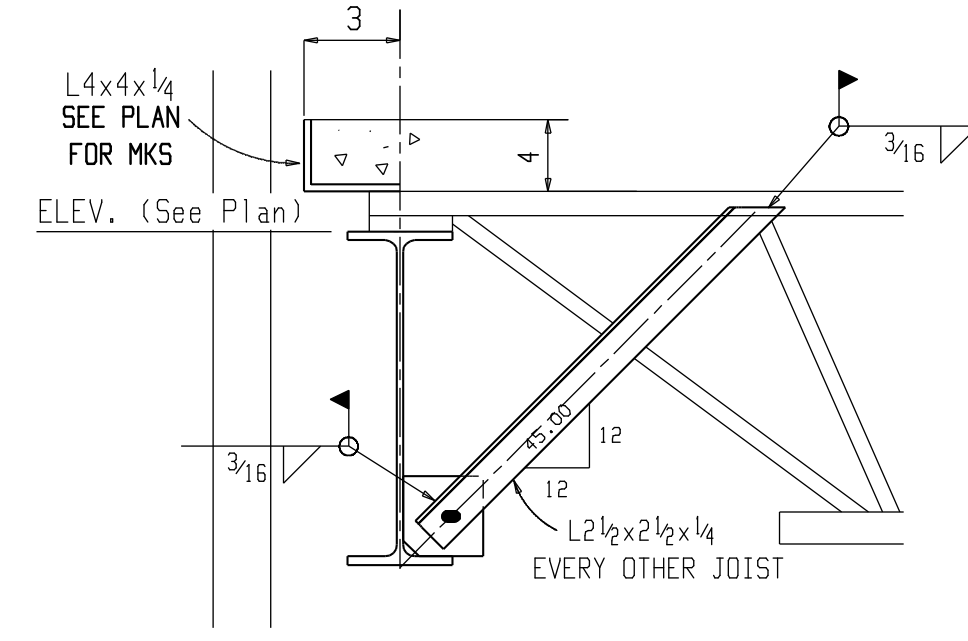
SECTION D-D



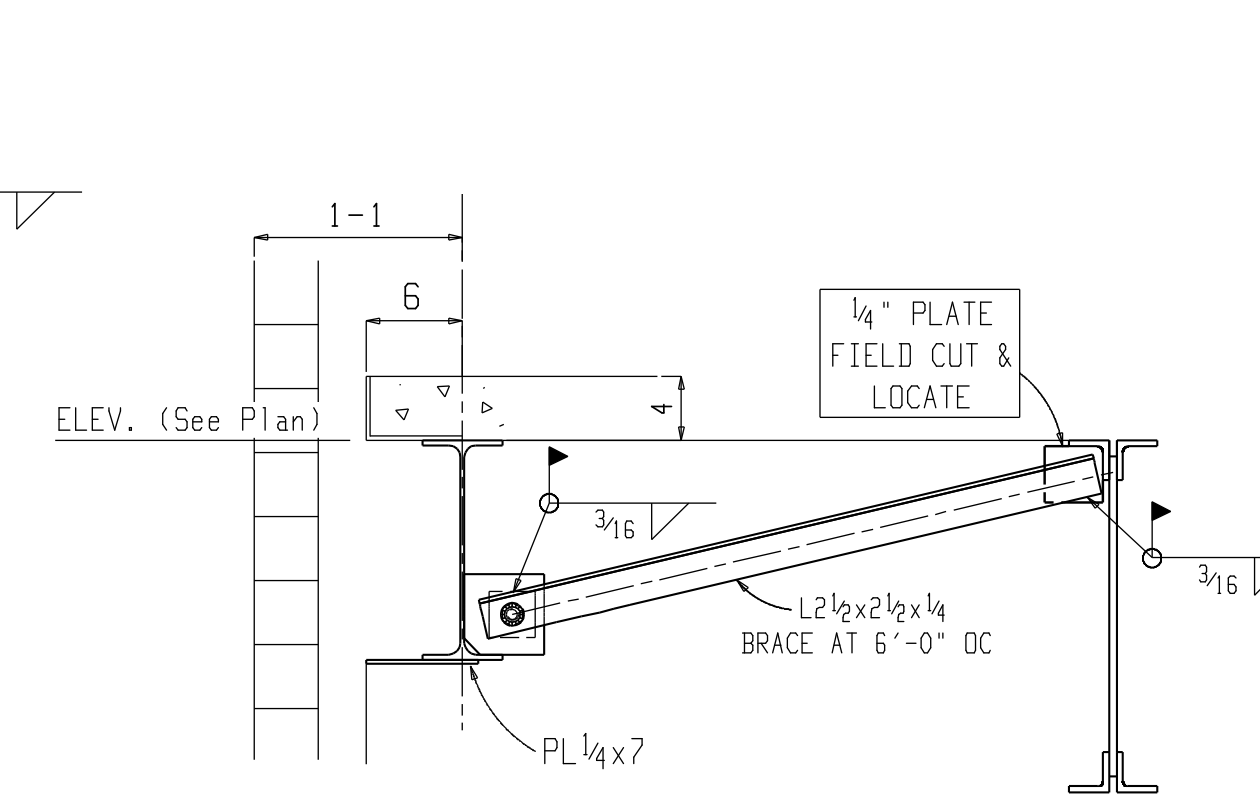
SECTION E-E



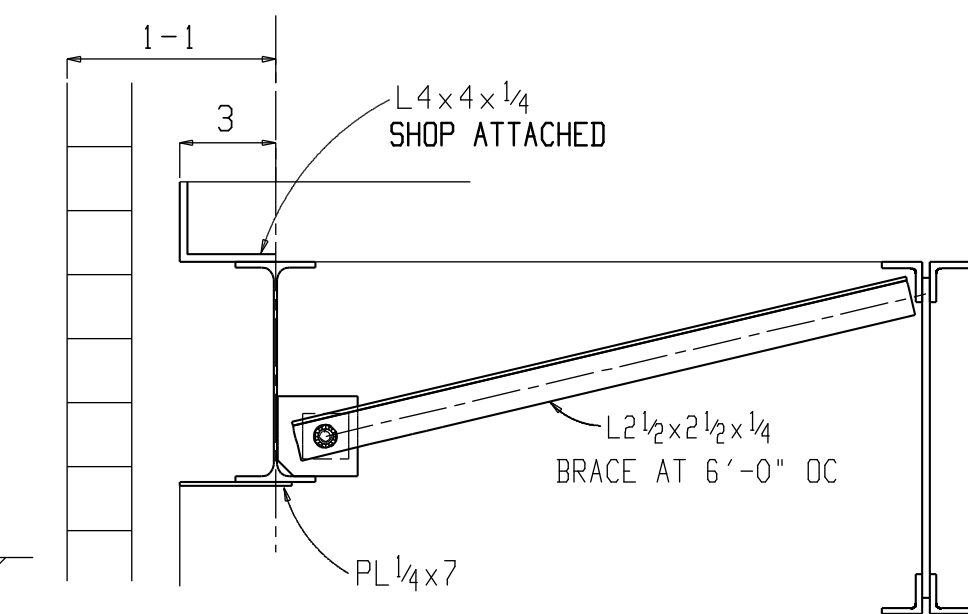
SECTION F-F



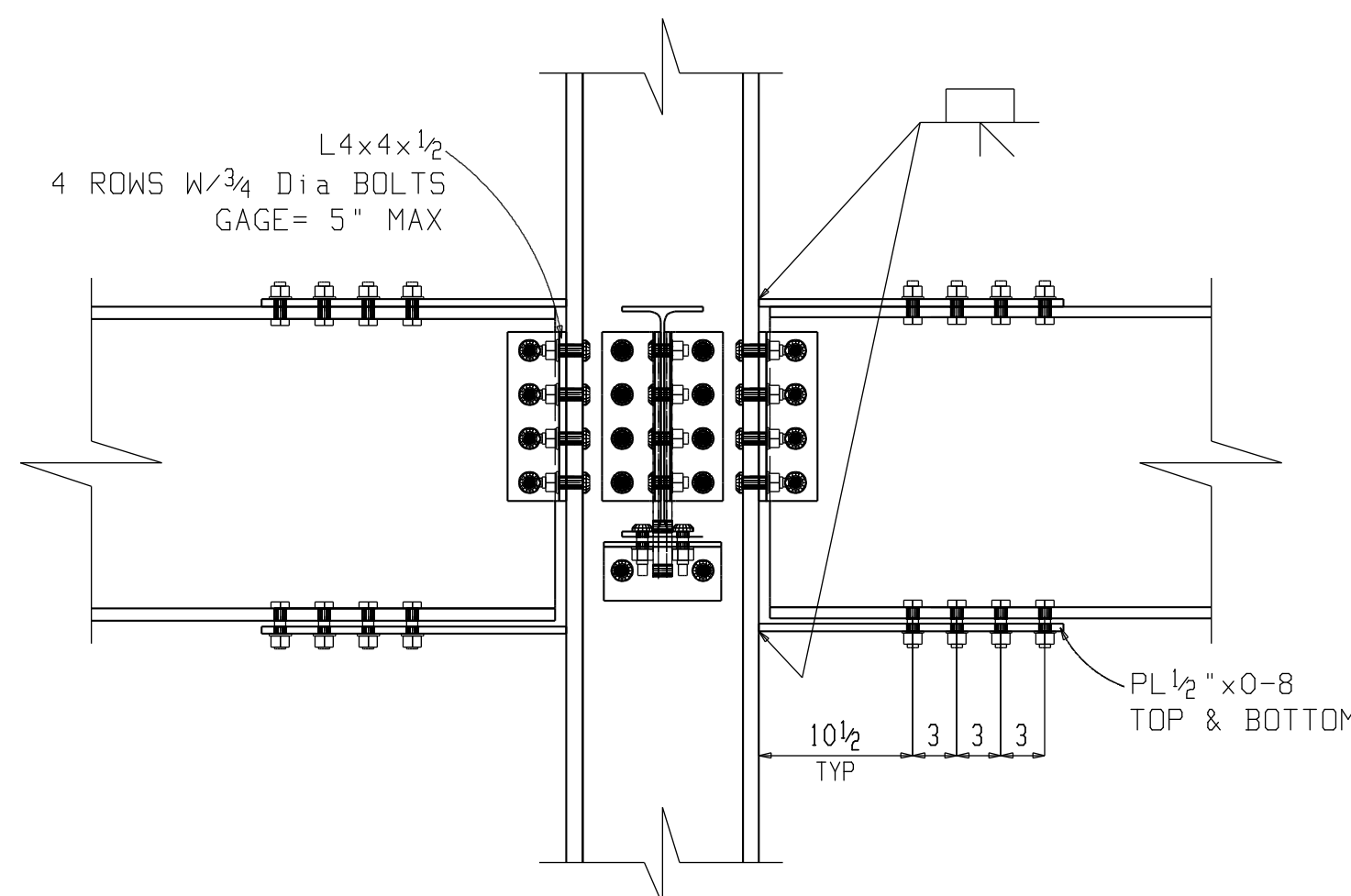
SECTION G-G



SECTION H-H

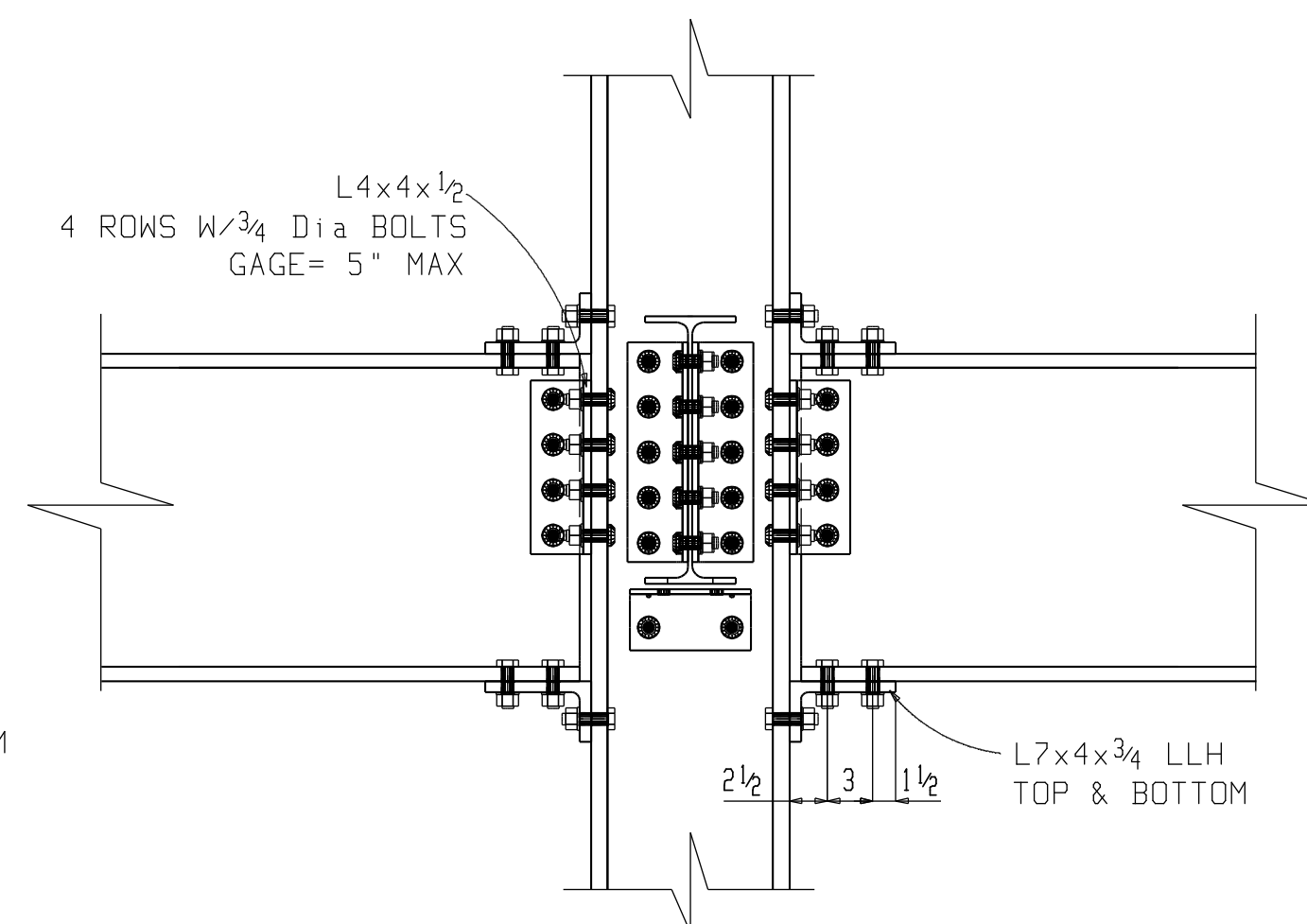


SECTION I-I



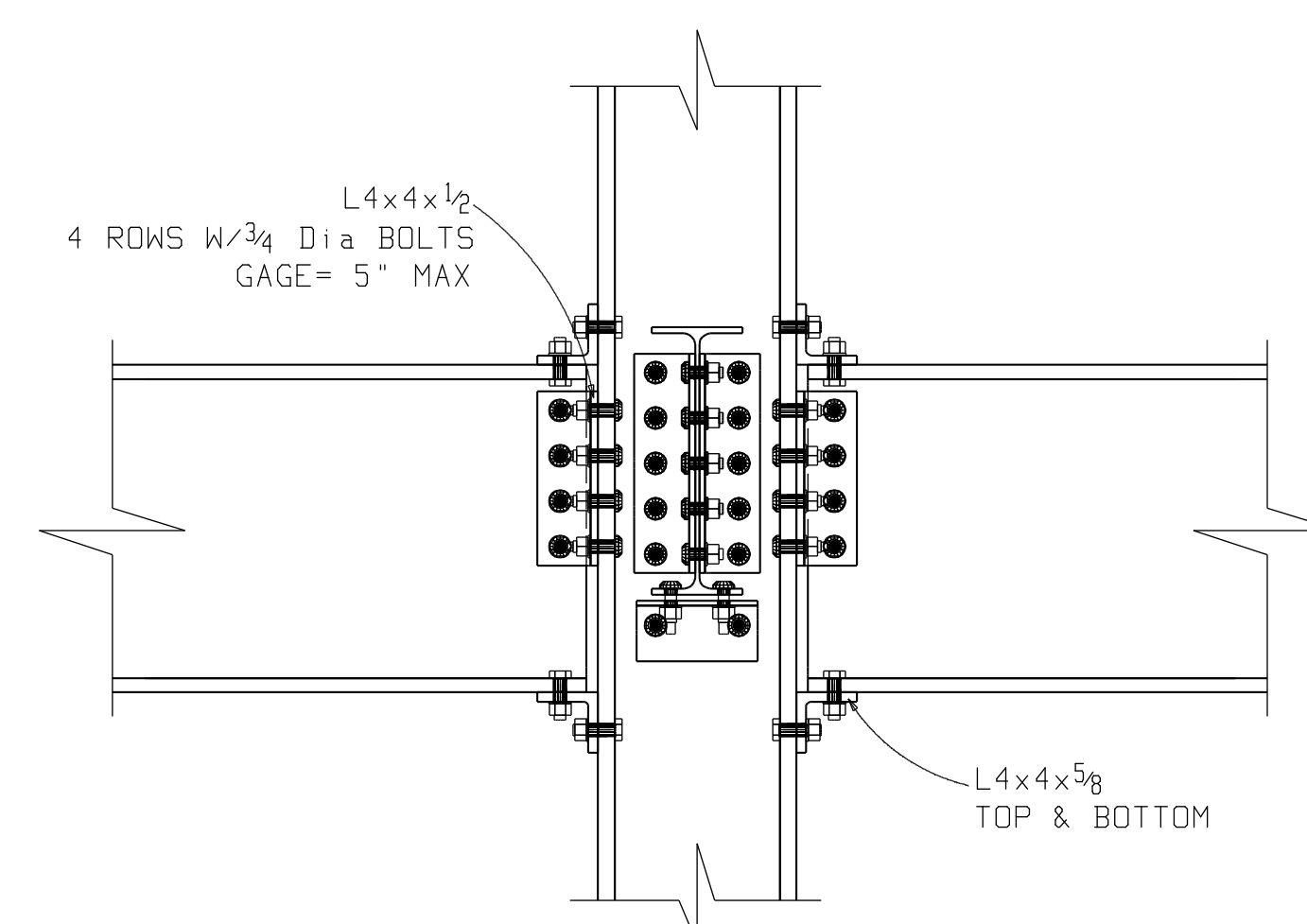
TYP MOMENT CONNECTION @ 2ND FLR

REF: S503



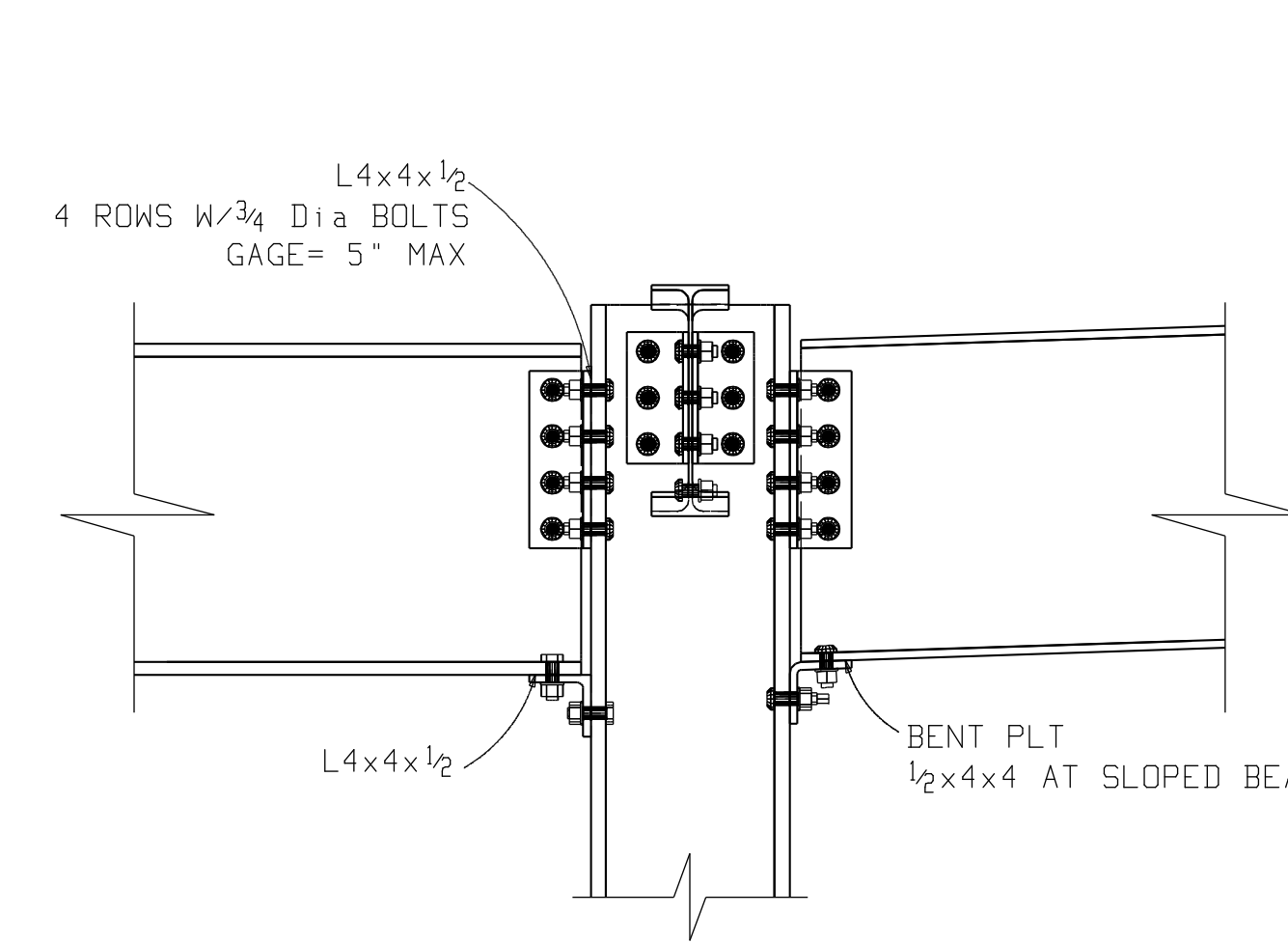
TYP MOMENT CONNECTION @ 3RD FLR

REF: S503



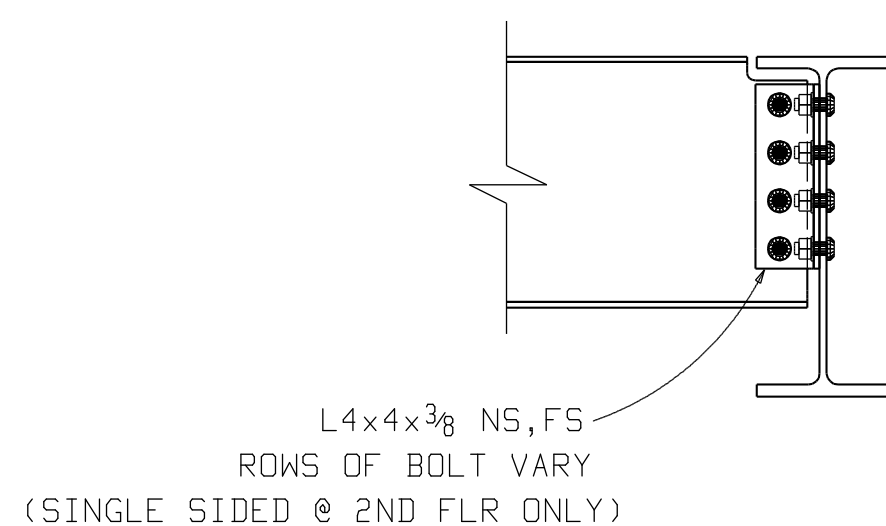
TYP MOMENT CONNECTION @ 4TH FLR

REF: S503



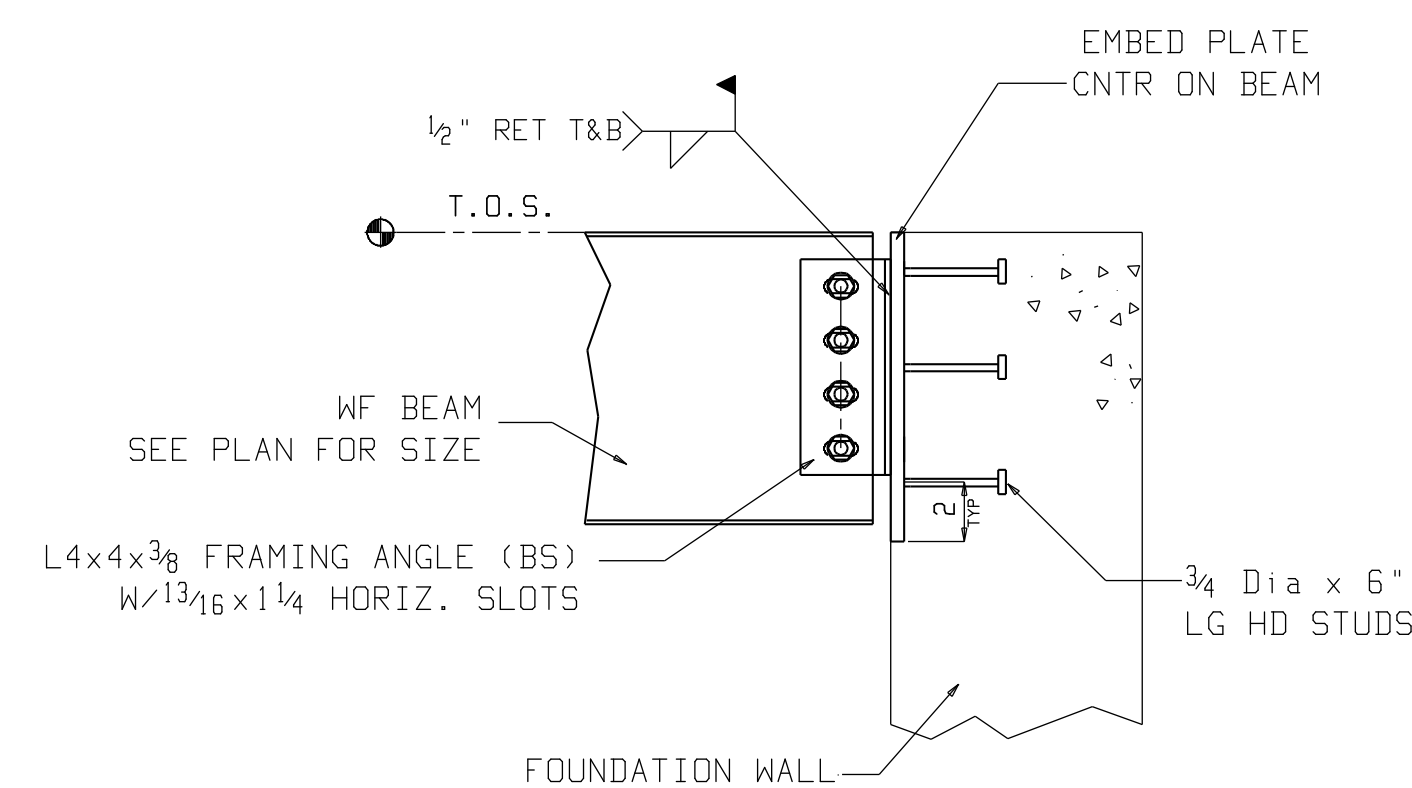
TYP MOMENT CONNECTION @ ROOF

REF: S503



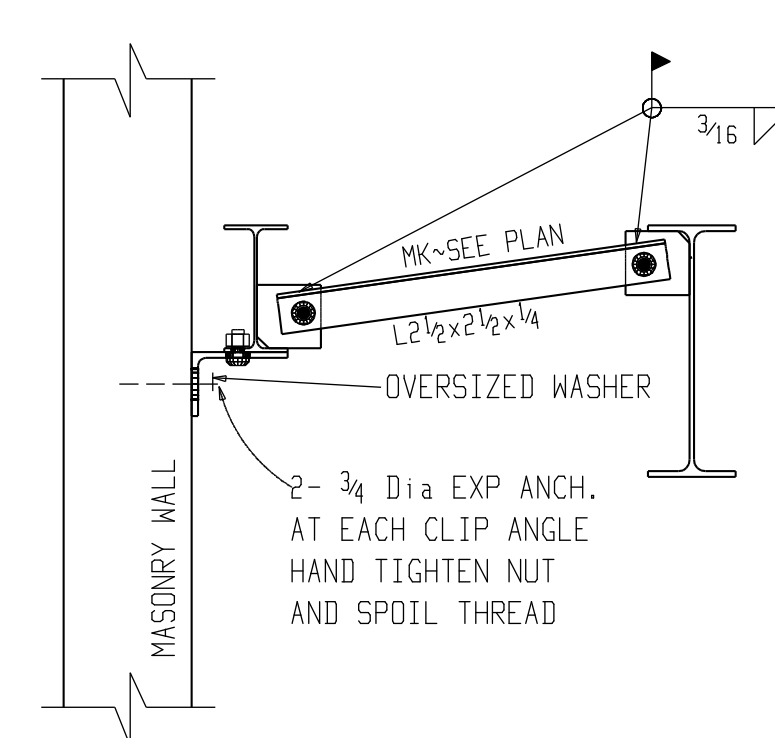
TYP BEAM TO BEAM CONNECTION

REF: STRUCTURAL NOTE 2 S001



TYP EMBED CONNECTION

REF: 1-S302



TYP CMU WALL BRACE SECTION

REF: S504

**ORANGE COUNTY IRONWORKS LLC**  
 27 STONE CASTLE ROAD ROCK TAVERN N.Y. 12575  
 845-564-8421

PRINT RECORD			STRUCTURE CRYSTAL RUN HEALTHCARE				
QUANTITY	DATE	COPY	LOCATION WALLKILL, NY				
			CONTRACTOR BBL CONSTRUCTION SERVICES				
			OWNER BBL MEDICAL FACILITIES				
Conns Unless Noted			ENG. OR ARCH'T HCP ARCHITECTS				
Holes 1 3/16	Unless Noted		REV	DATE	DESCRIPTION	PROJ NO.	SHEET NO.
Paint	NO PAINT UND		1	05-08-08	RELEASED FOR APPROVAL	8037	2E2
Made	LRH Date 04-27-08		2	07-09-08	RELEASED FOR FABRICATION		
Chk'd	JPT Date 05-06-08		3	07-16-08	RE-RELEASED FOR FAB		
			4				