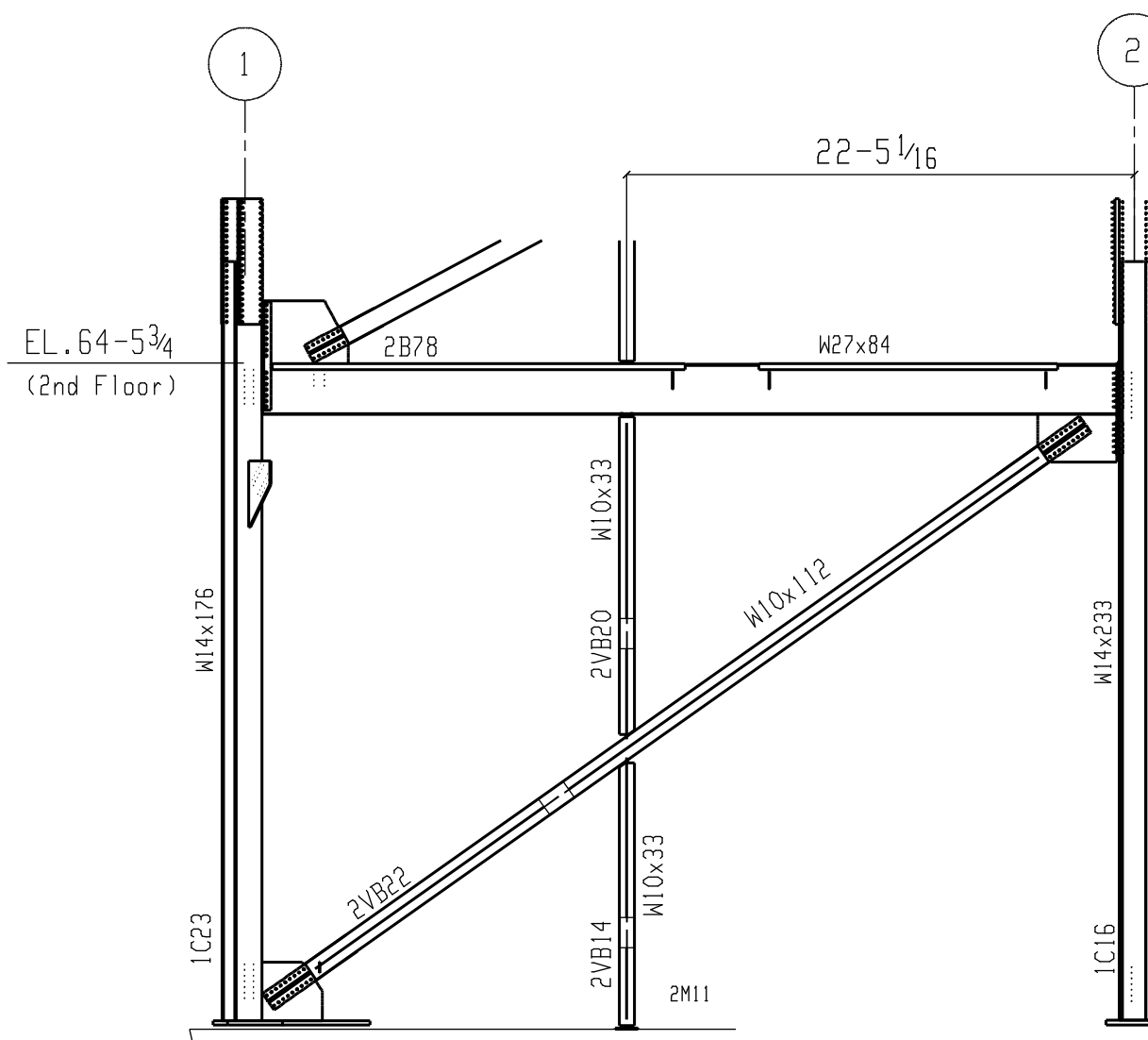
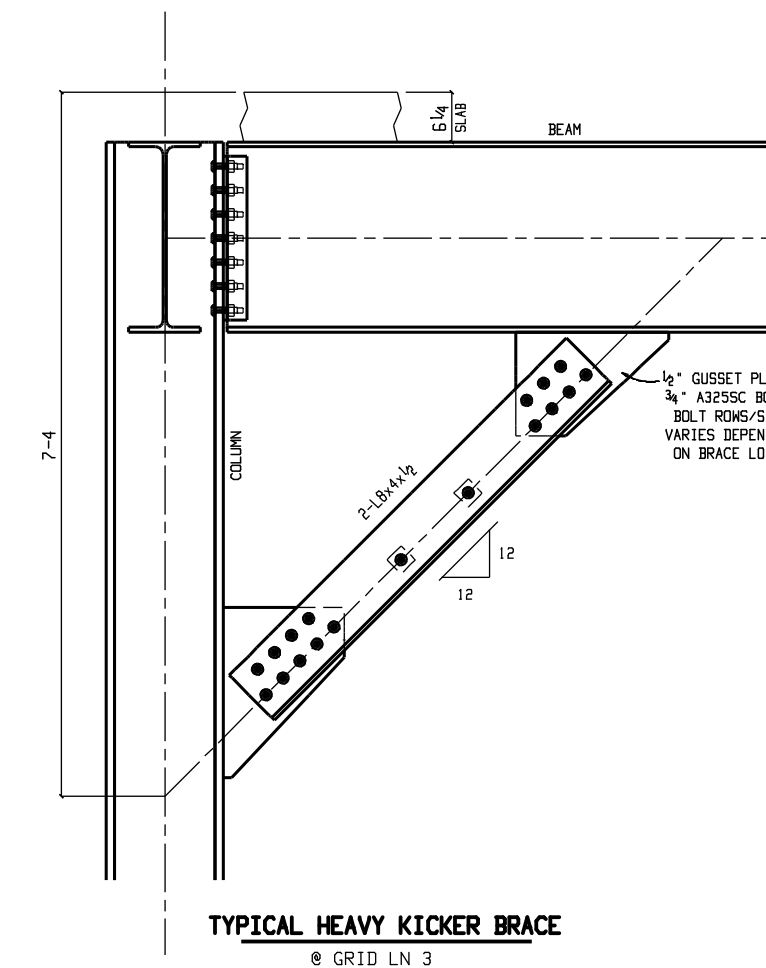


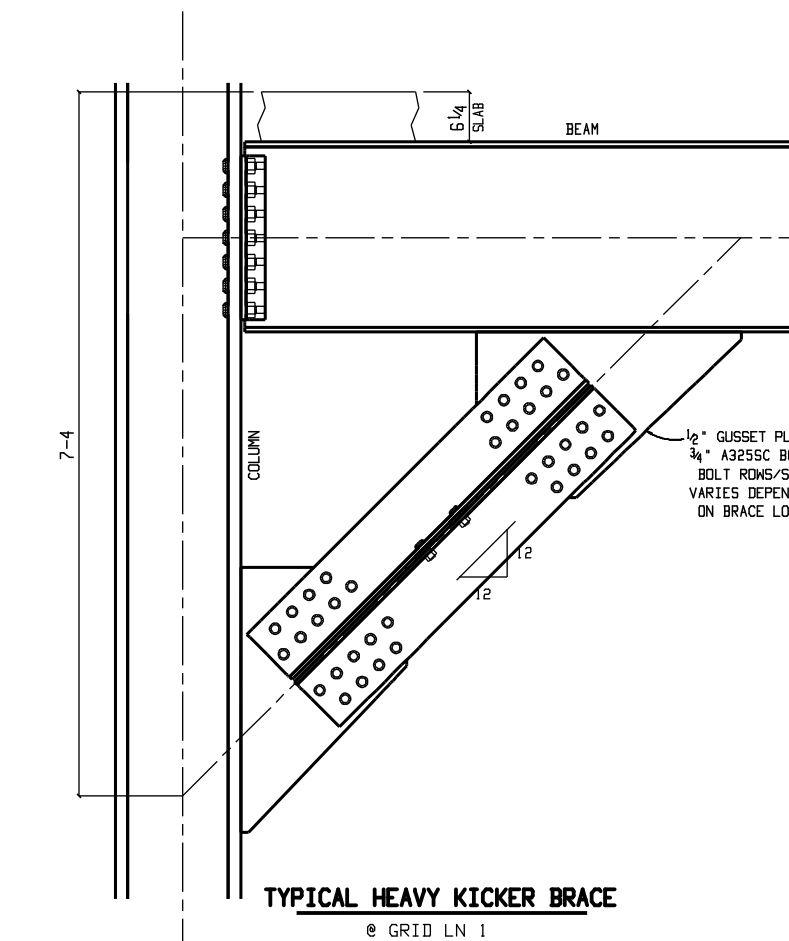
BRACE FRAME - LN A



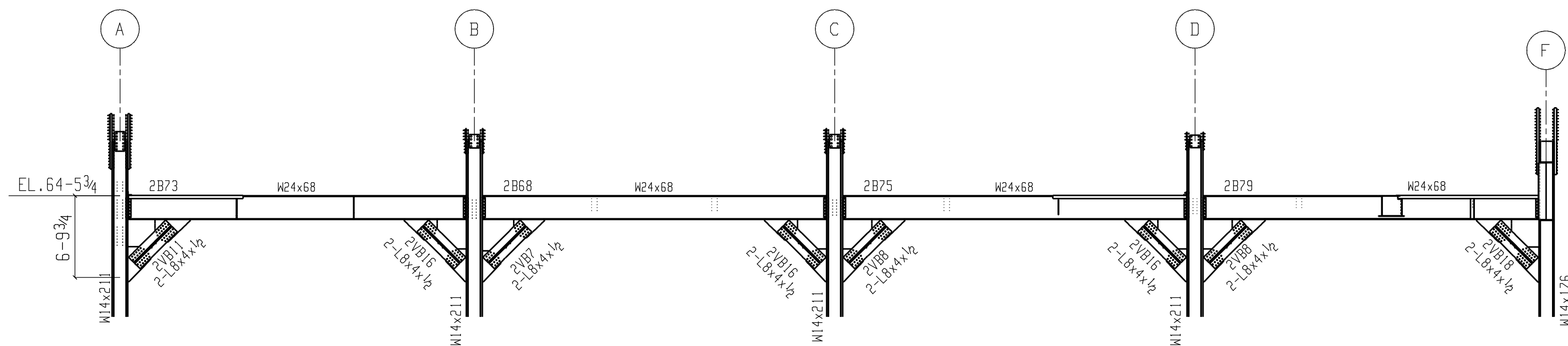
BRACE FRAME - LN F



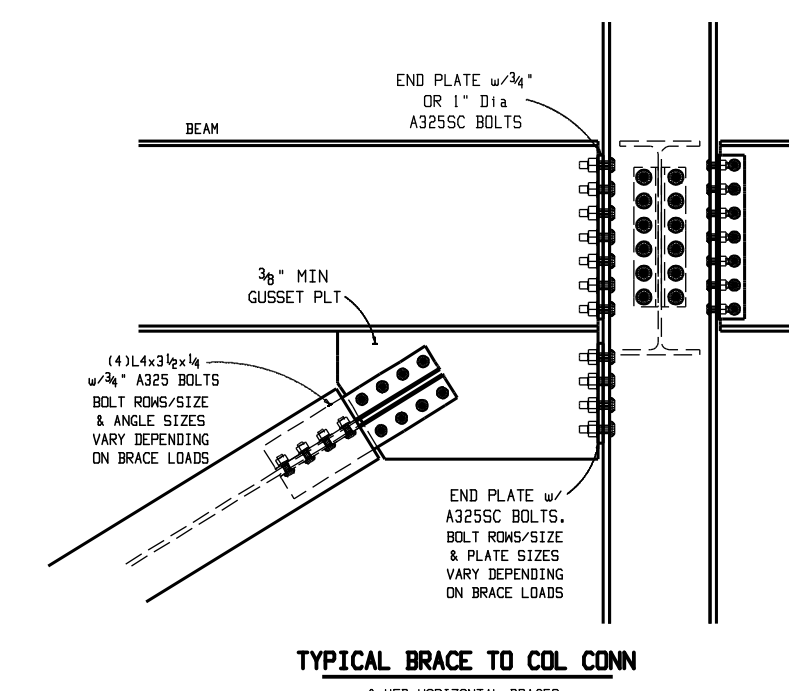
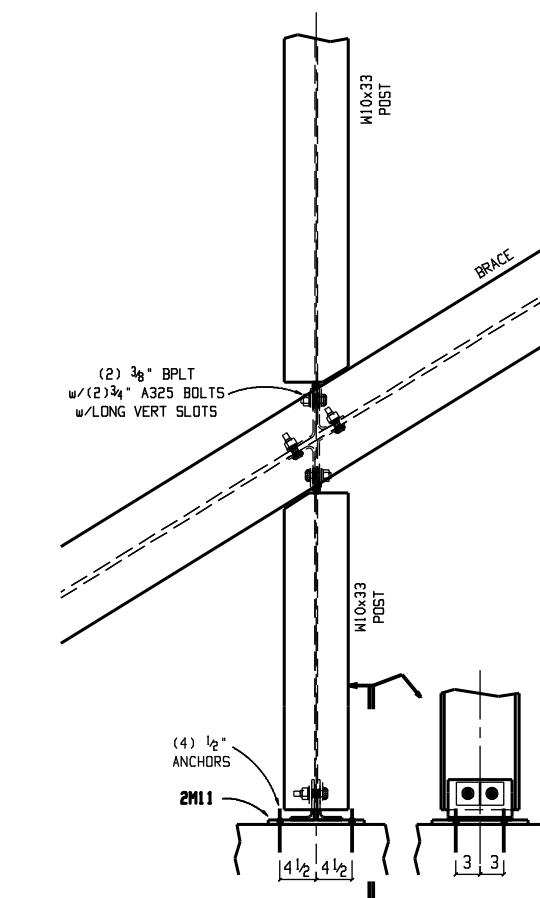
TYPICAL HEAVY KICKER BRACE  
@ GRID LN 3



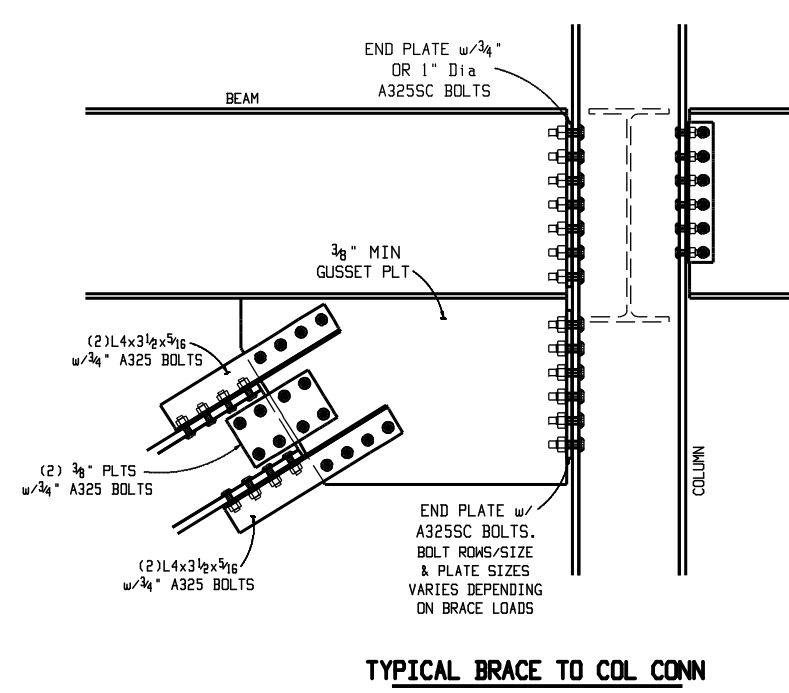
TYPICAL HEAVY KICKER BRACE  
@ GRID LN 1



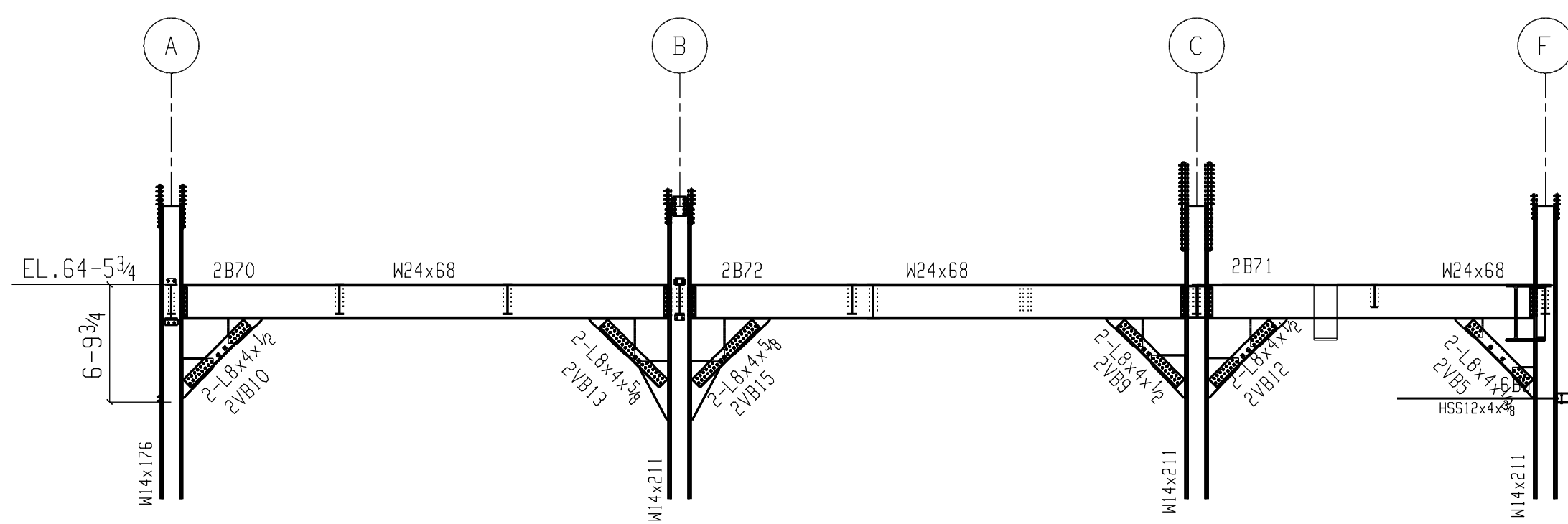
BRACE FRAME - LN 1



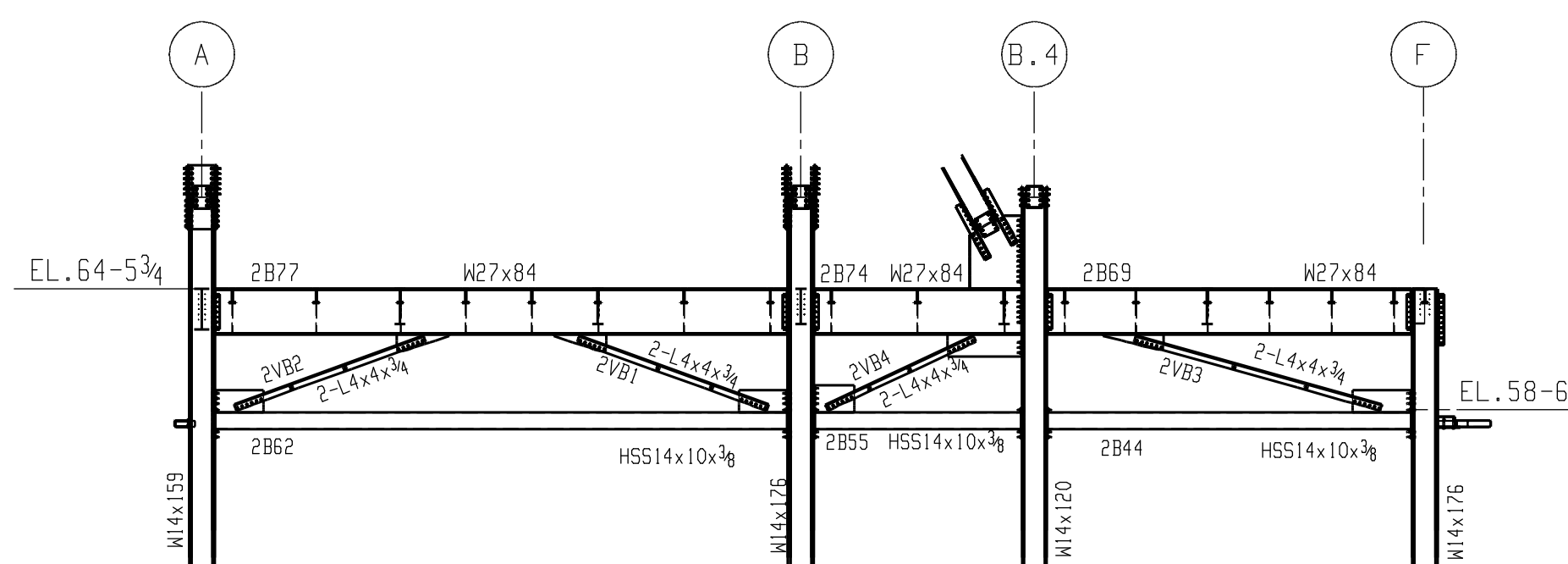
TYPICAL BRACE TO COL CONN  
@ HEB HORIZONTAL BRACES



TYPICAL BRACE TO COL CONN  
@ HEB VERTICAL BRACES



BRACE FRAME - LN 3



BRACE FRAME - LN 4

CLOUDED HOLES ON DETAIL DRAWINGS ARE FOR SHOP CLARITY ONLY

2	10-28-10	FOR FIELD	STEEL FABRICATOR	BARONE STEEL FABRICATORS
1	08-29-10	FOR APPROVAL	DETAILER	KENNEBEC VALLEY DETAILERS, LLC
0		DESCRIPTION	BY	PHONE: (207) 622-2255 FAX: (207) 512-2327
HOLE: 1 3/16" DIA. UNO			PROJECT	
BOLTS: 3/4" DIA. A325C UNO			CITY POINT	
PAINT: NO PAINT UNO			DATE: 07-08-10	
MATERIAL: SHAPES - STEEL A992 GR.50 - UNO.			ENGINEER	
TUBES - STEEL A500 GR. B - UNO.			ARCHITECT	
CHANNELS, ANGLES AND PLATES - A36 GR 36.			NIEDO ASSOCIATES ARCHITECTS/PLANNERS	
4		ADDENDUM	BY	
3	11-19-10	ADDENDUM	JPT	