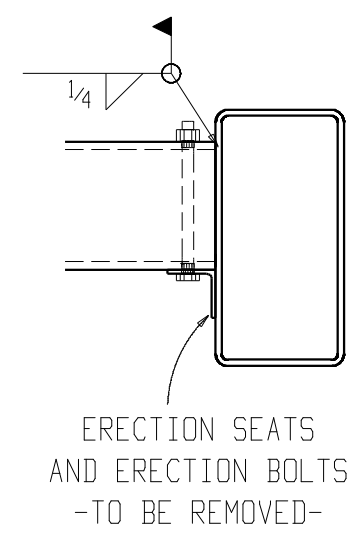
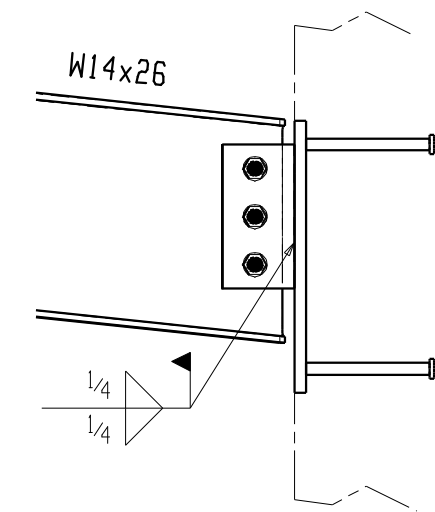


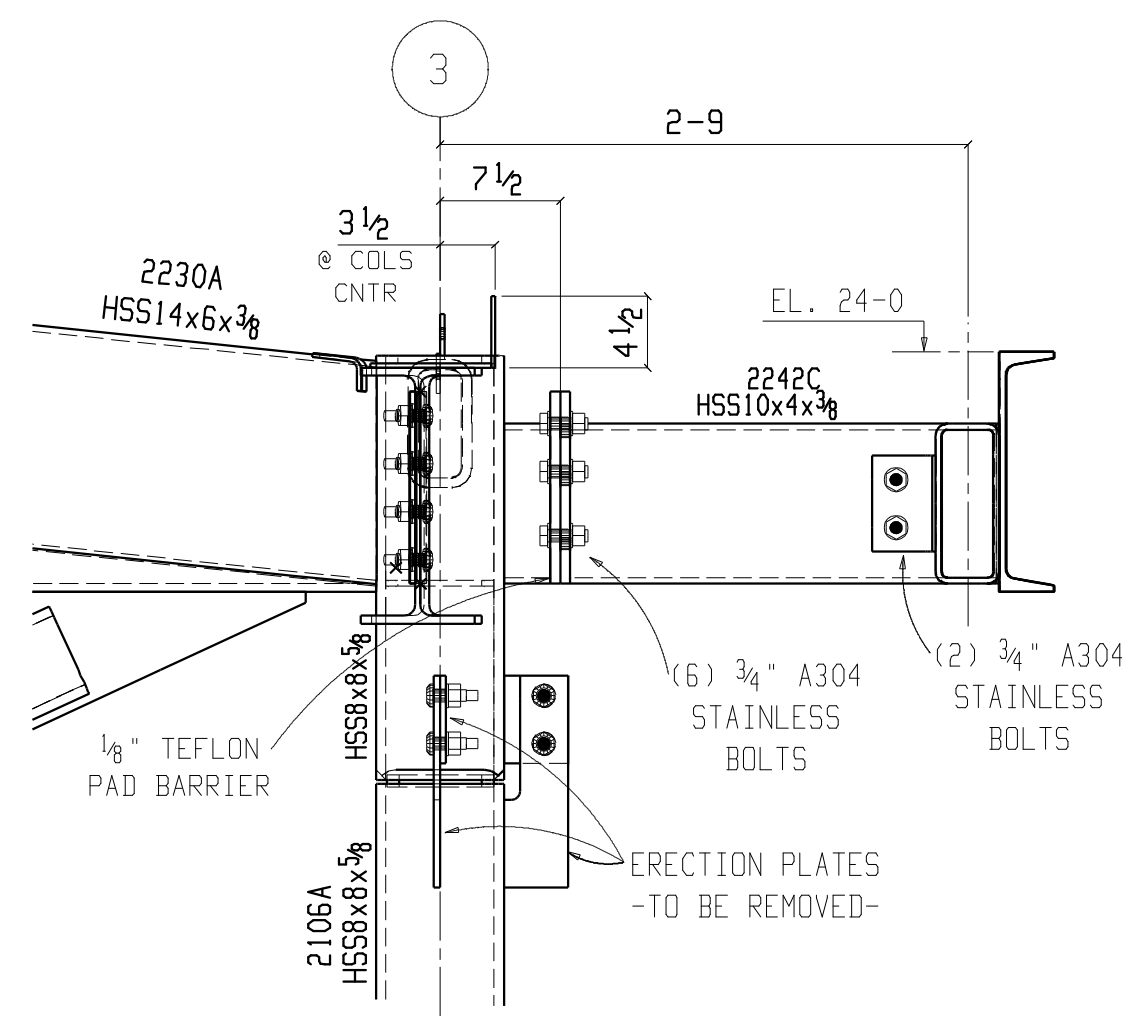
TYP HSS MOMENT CONNECTION



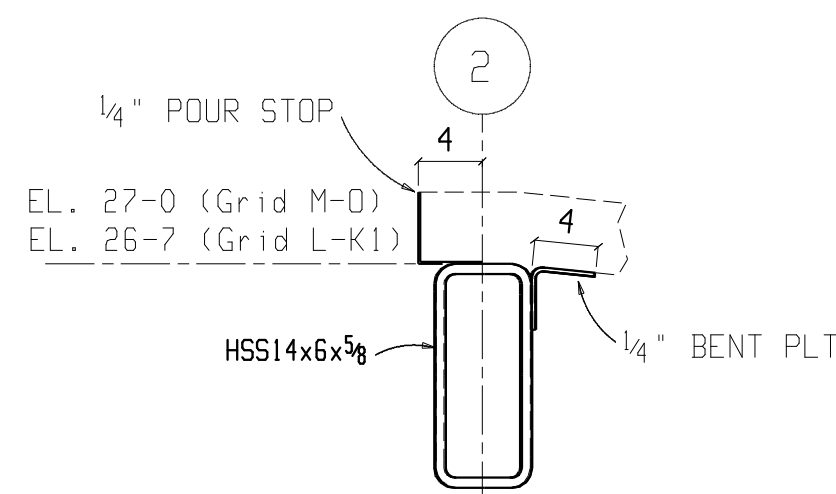
TYP HSS TO HSS CONNECTION



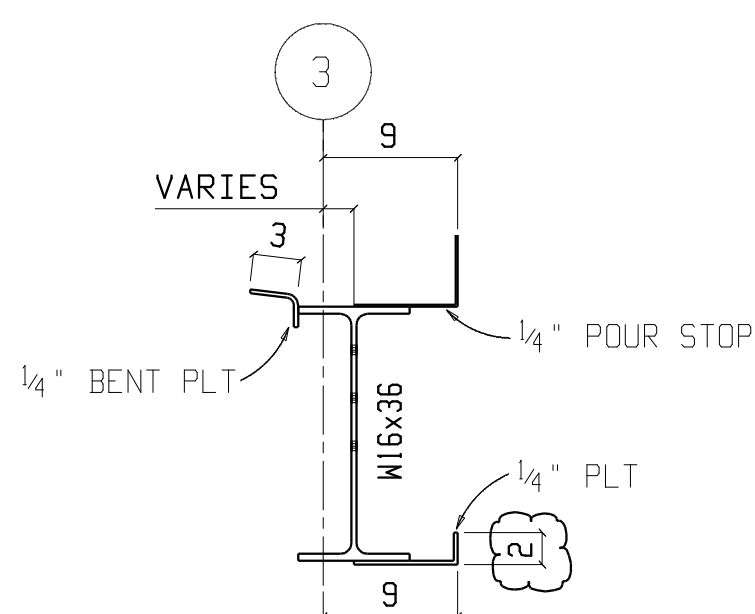
TYPICAL EMBED CONN



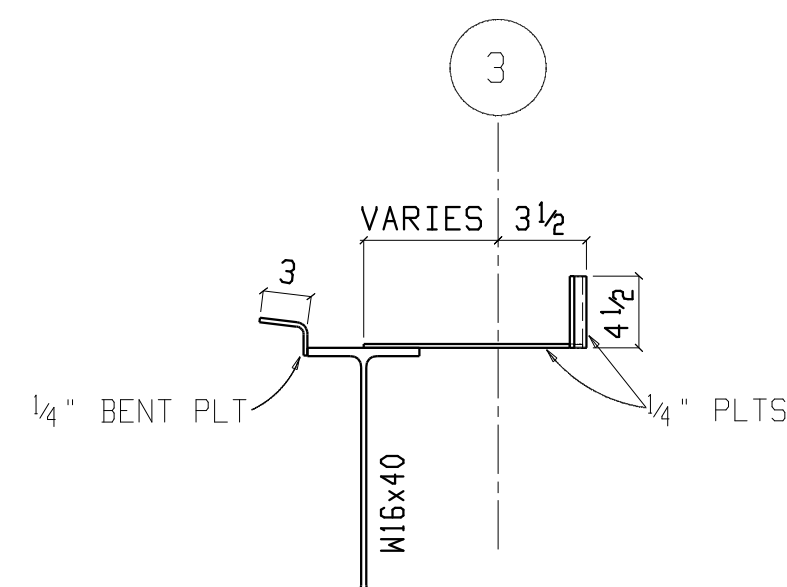
SECTION 4



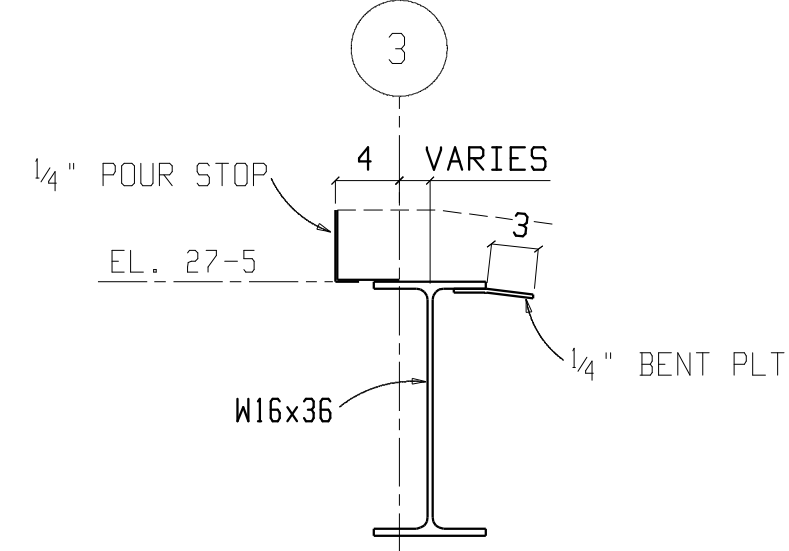
SECTION 10



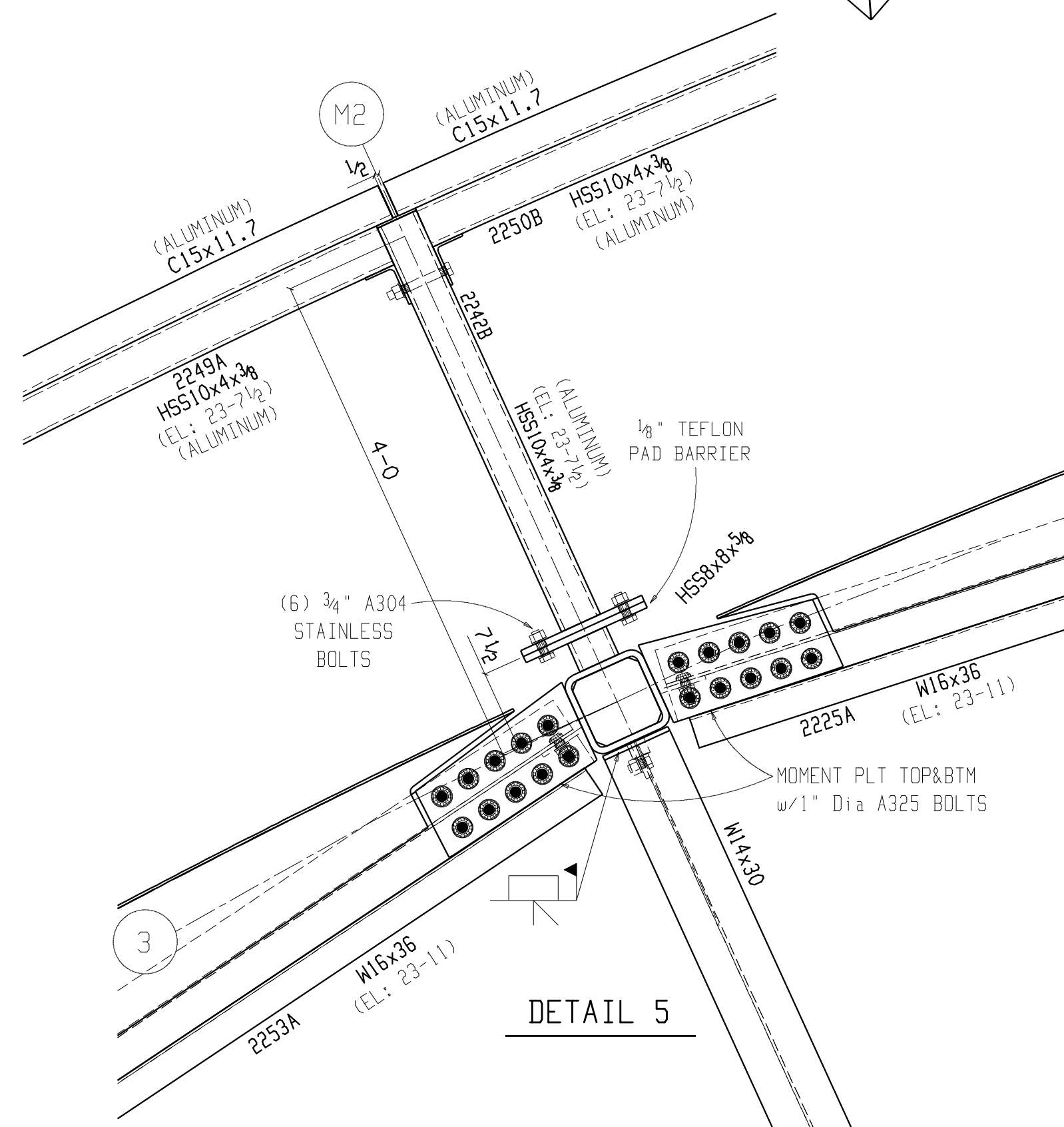
SECTION 12



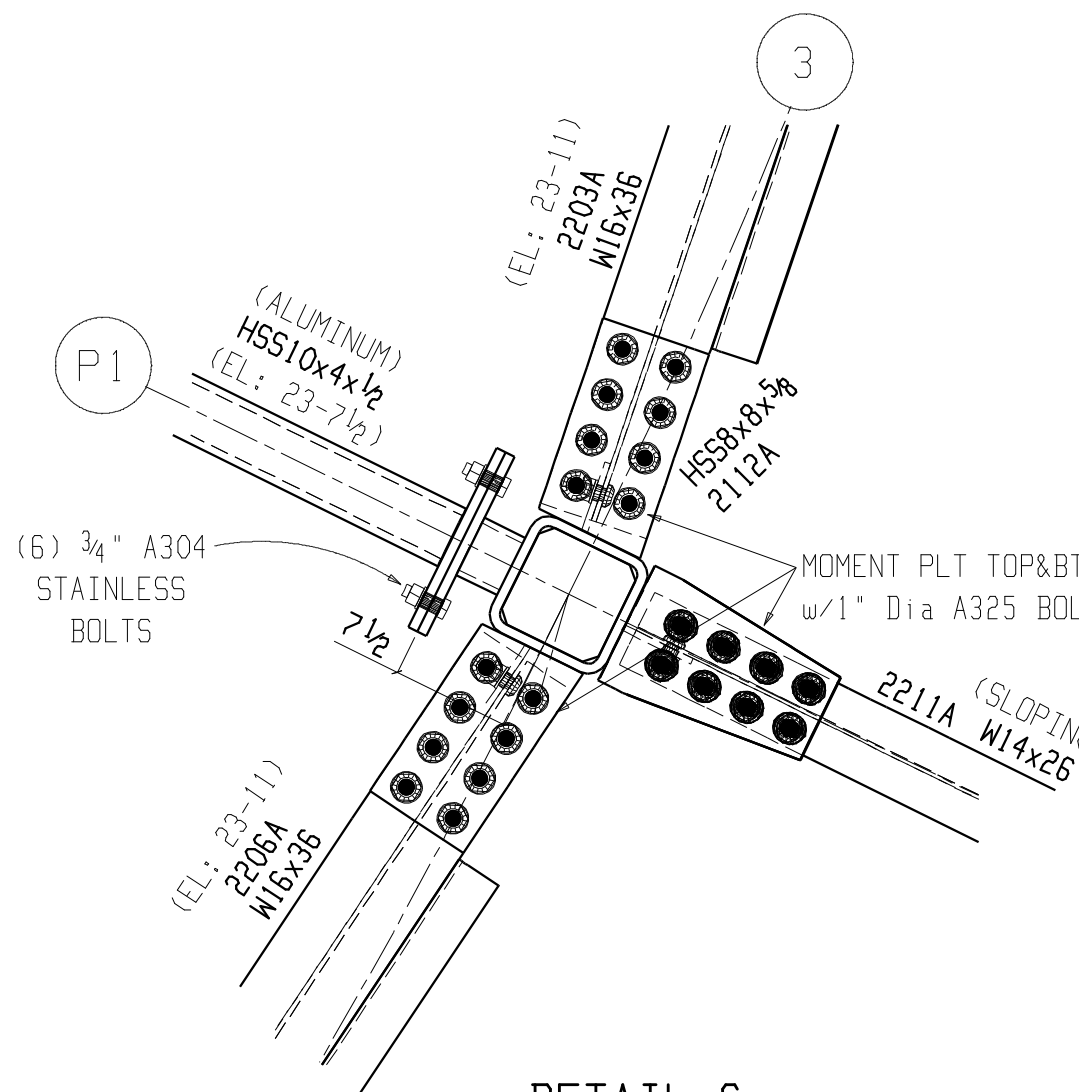
SECTION 11



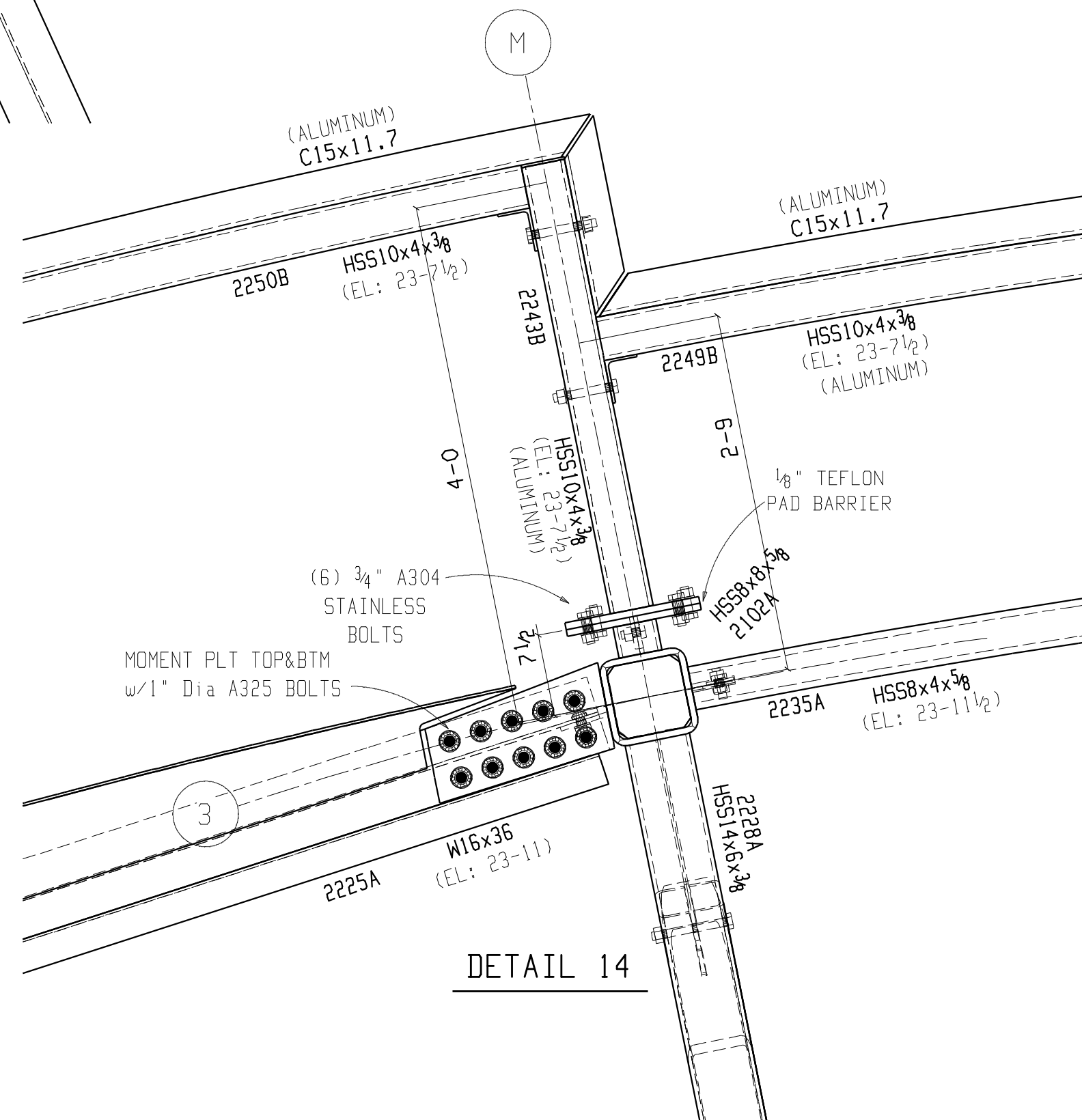
SECTION 13



DETAIL 5

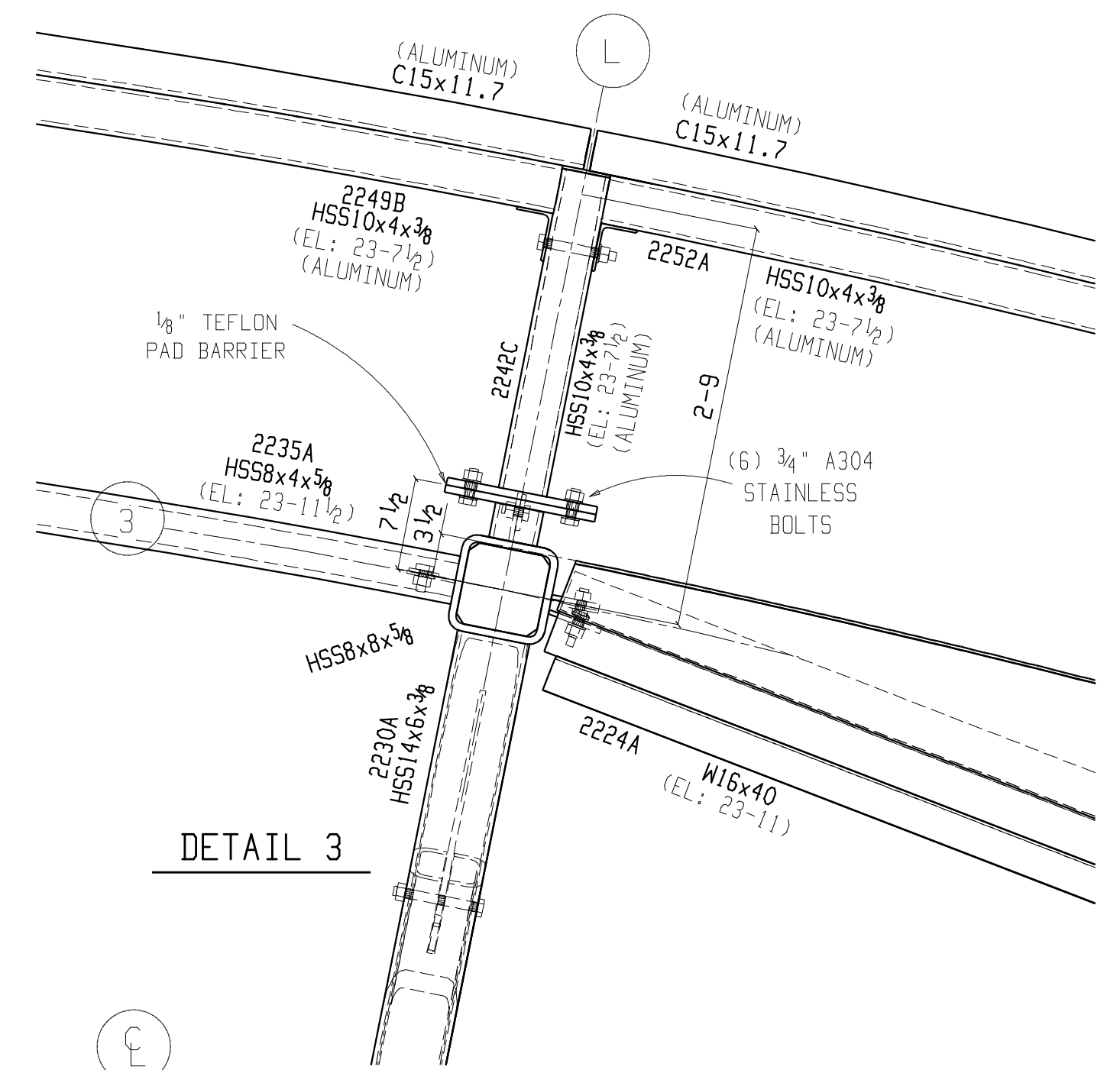


DETAIL 6

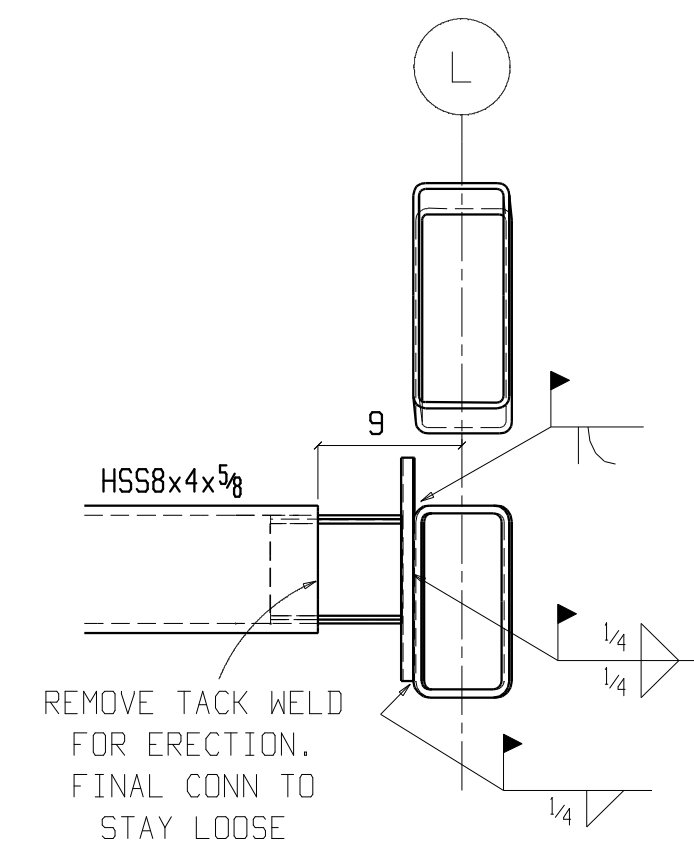


DETAIL 14

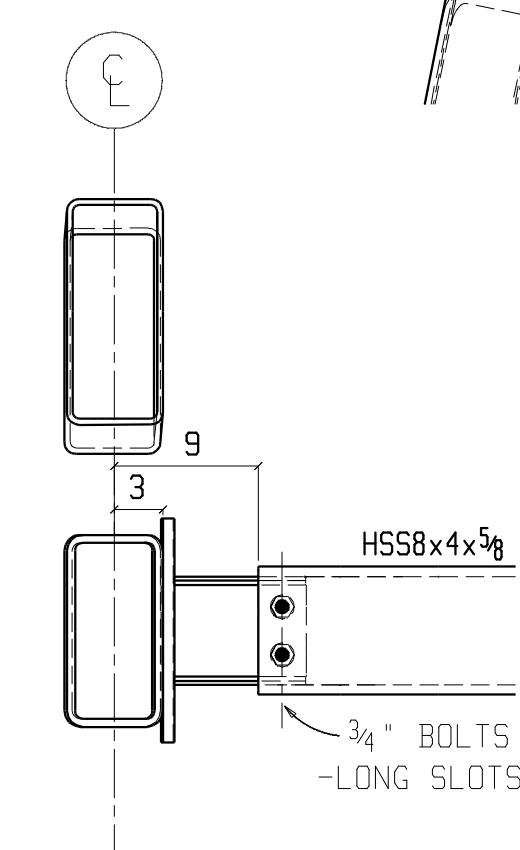
DETAIL 2



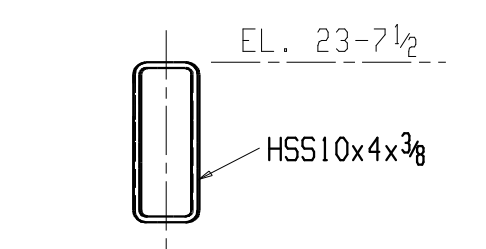
DETAIL 3



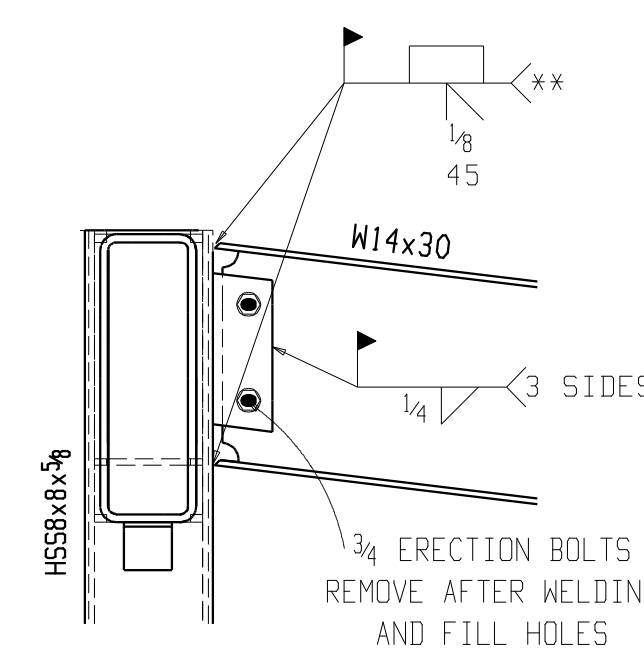
SECTION 7



SECTION 8

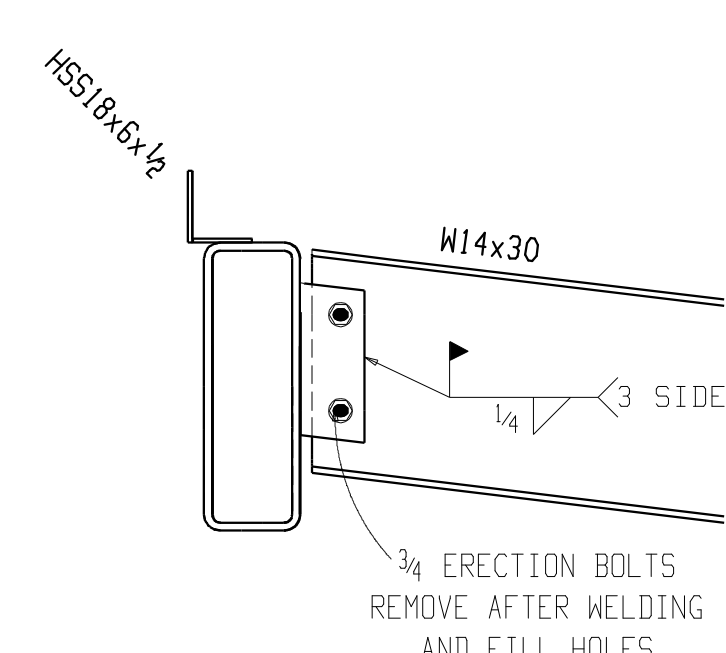


SECTION 9

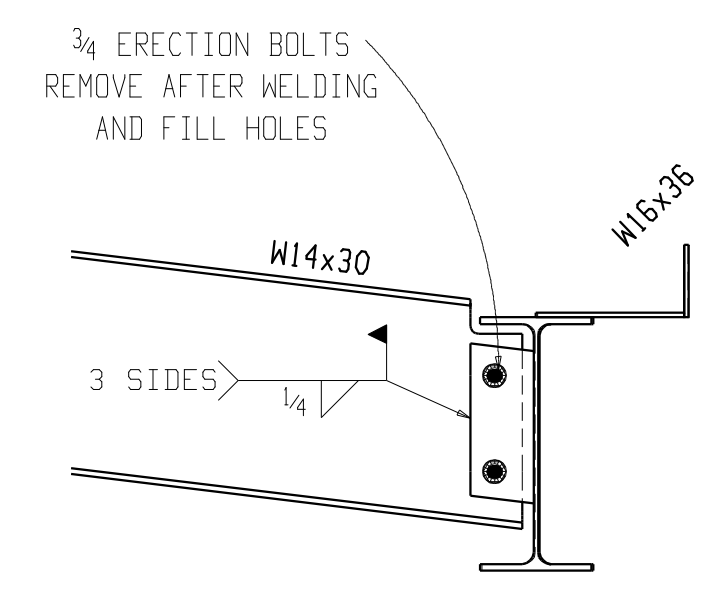


SECTION 15

\*\*ERECTOR NOTE:  
USE PORCELAIN BACKING BAR



SECTION 16



SECTION 17

PRINT RECORD				STRUCTURE CONEY ISLAND STEEPLCHASE			
QUANTITY	DATE	COPY		LOCATION	BROOKLYN, NEW YORK		
				CONTRACTOR HUNTER ROBERTS CONSTRUCTION GROUP			
				OWNER CITY OF NEW YORK PARKS & RECREATION			
Conns	A36	Unless Noted		ENG. OR ARCHT ROCKWELLGROUP			
Holes	13/16	Unless Noted		REV	DATE	DESCRIPTION	PROJ NO.
Surf. Prep				1	02-16-12	RELEASED FOR APPROVAL	11101
Paint				2	04-05-12	RELEASED FOR FIELD USE	2E2
Made	JPT	Date 12-15-11		3			
Chk'd	KVD	Date 01-12-12		4			