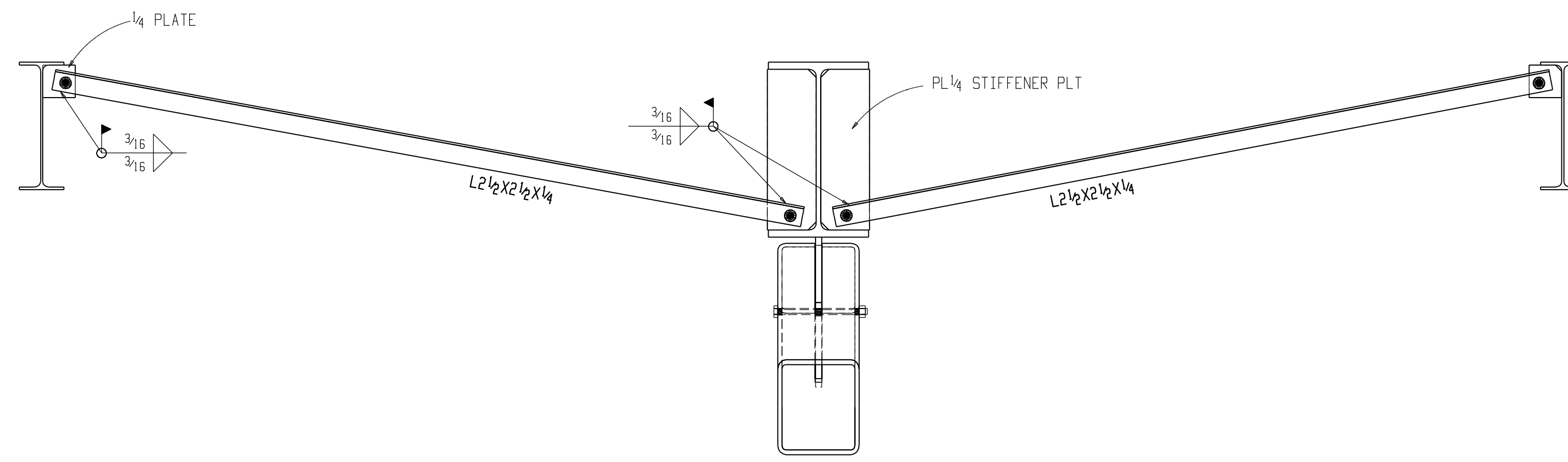
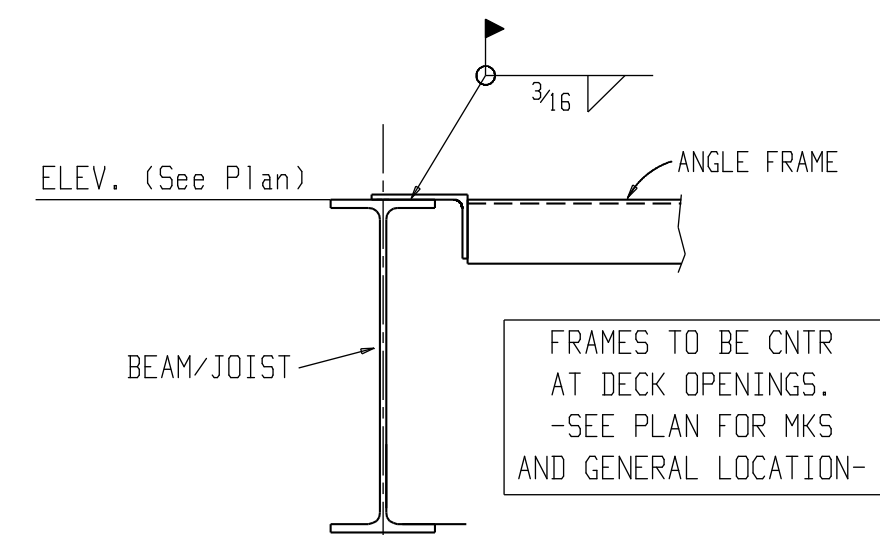


SECTION K-K

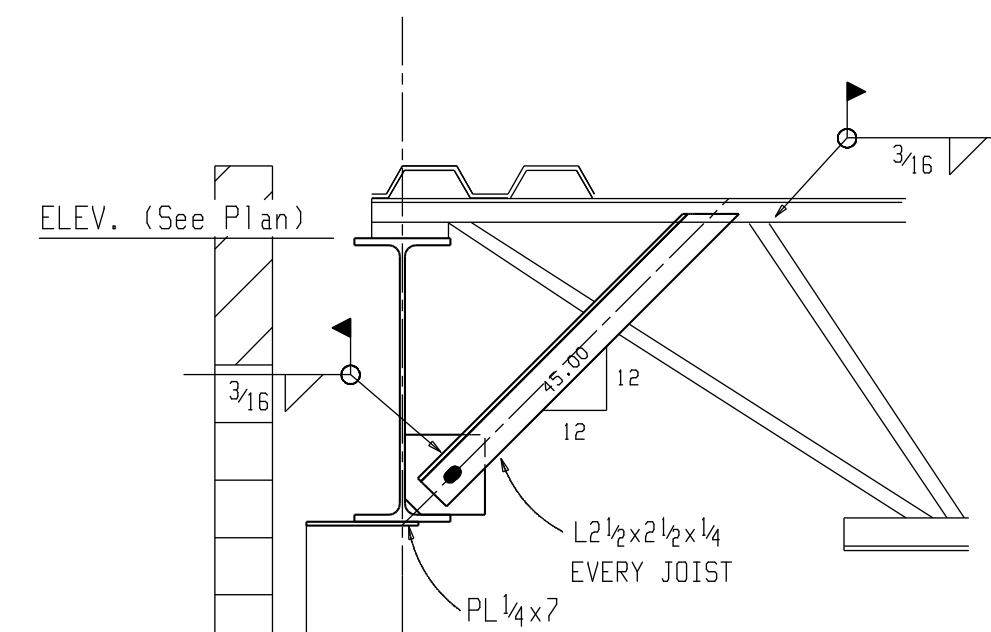


SECTION L-L

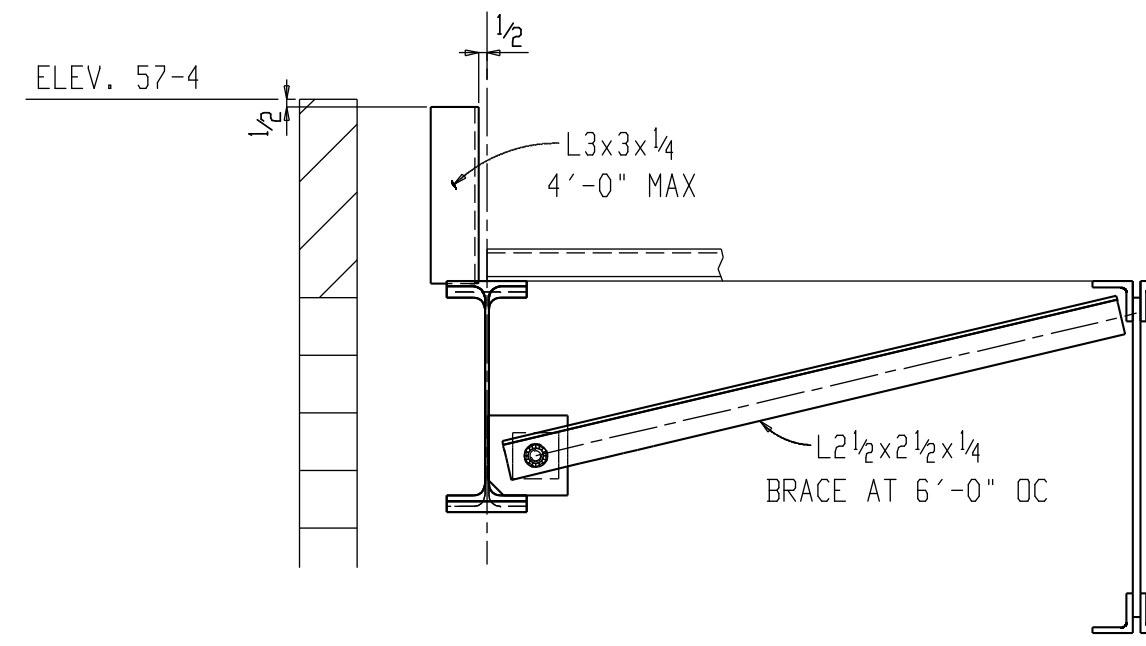


TYP SEATED ANGLE FRAME

FRAMES TO BE CNTR
AT DECK OPENINGS.
SEE PLAN FOR MKS
AND GENERAL LOCATION-



SECTION M-M



SECTION N-N

ORANGE COUNTY IRONWORKS LLC				
27 STONE CASTLE ROAD ROCK TAVERN N.Y. 12575 845-564-8421				
PRINT RECORD		STRUCTURE CRYSTAL RUN HEALTHCARE		
QUANTITY	DATE	COPY	LOCATION WALLKILL, NY	
			CONTRACTOR BBL CONSTRUCTION SERVICES	
			OWNER BBL MEDICAL FACILITIES	
Conns	Unless Noted	ENG. OR ARCH'T HCP ARCHITECTS		
Holes	13/16 Unless Noted	REV	DATE	DESCRIPTION
Paint	NO PAINT UND	1	05-08-08	RELEASED FOR APPROVAL
Made	LRH Date 04-27-08	2	07-09-08	RELEASED FOR FABRICATION
Chk'd	JPT Date 05-06-08	3	07-16-08	RE-RELEASED FOR FAB
		4		
				8037
				2E3