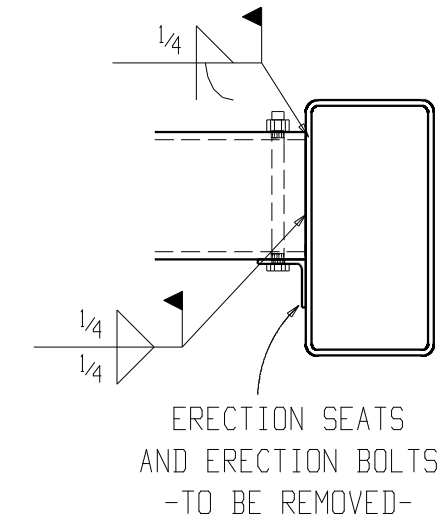
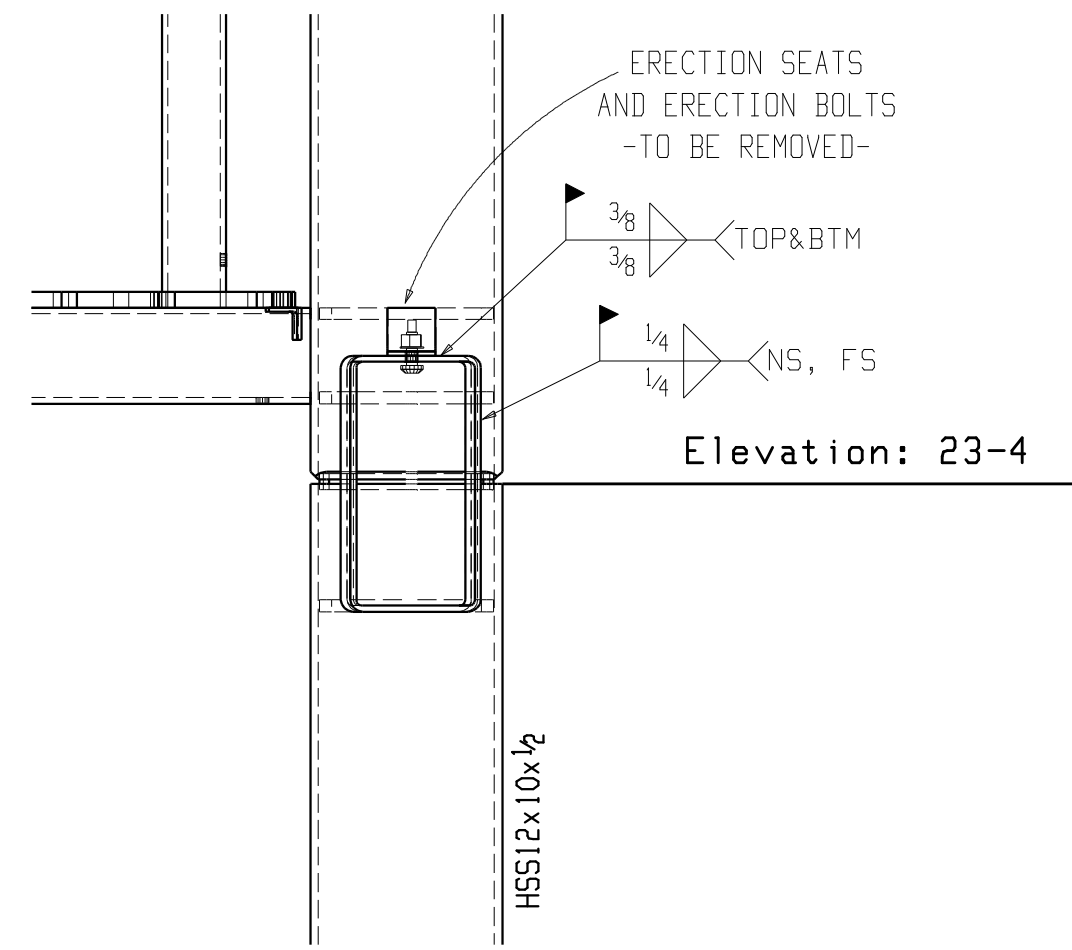


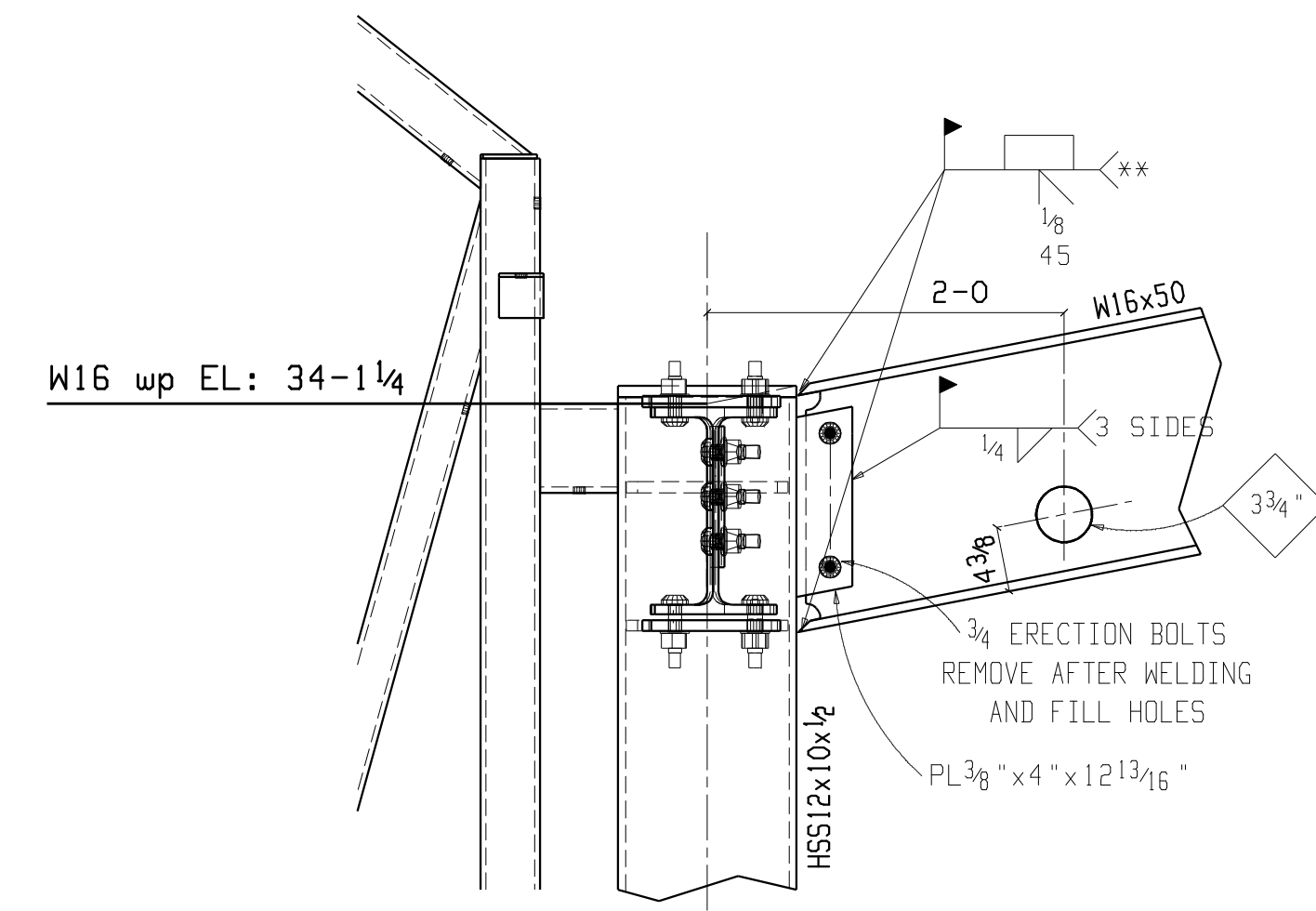
TYP HSS MOMENT CONNECTION



TYP HSS TO HSS CONNECTION

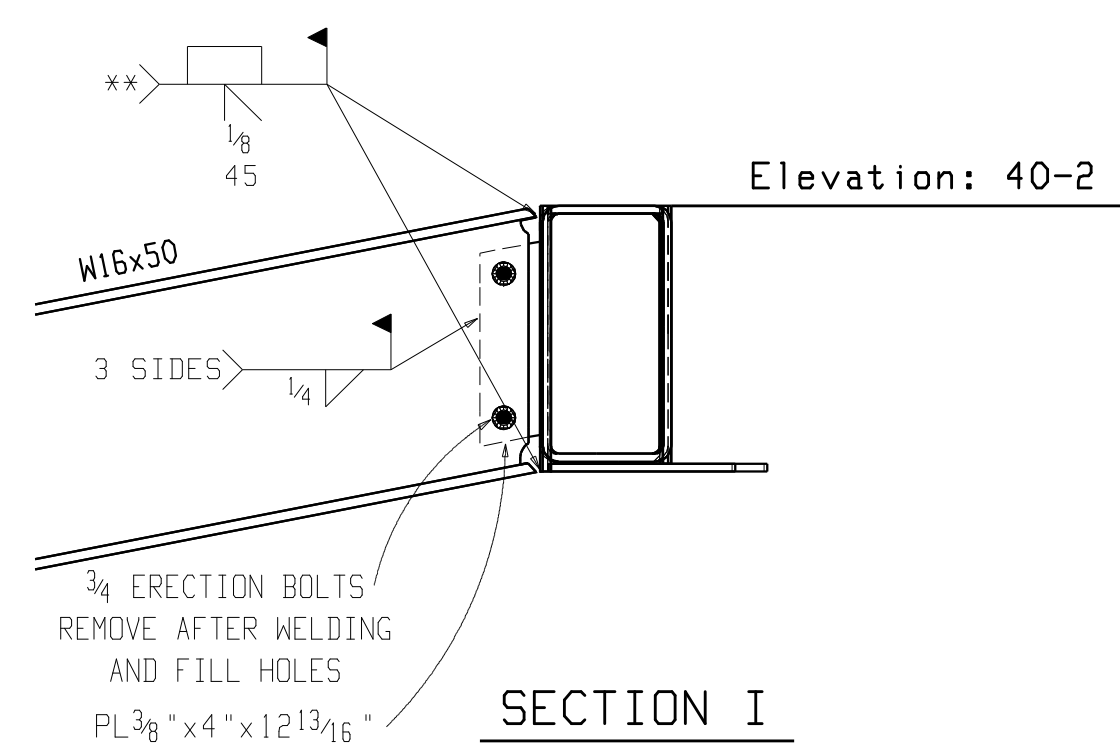


TYPICAL COLUMN CONN



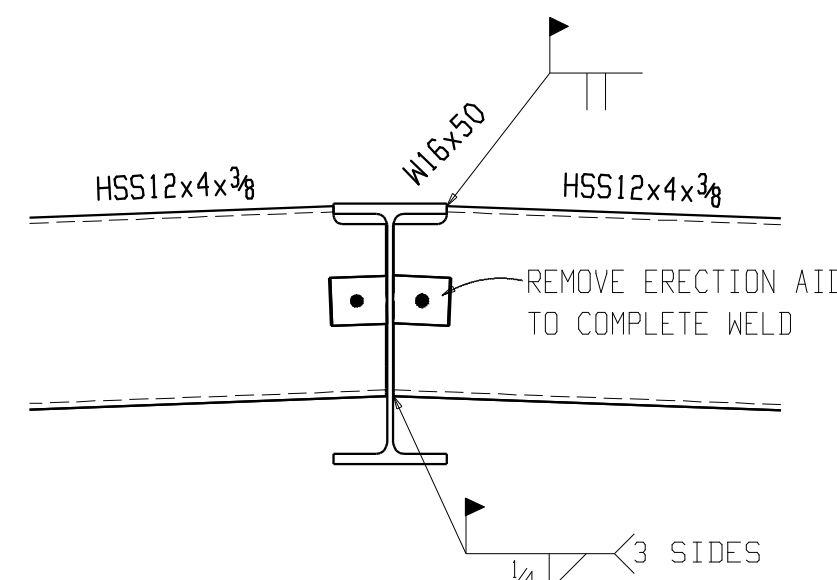
SECTION H

(REF: ORIGINAL SECT. H/3E3)
 TYPICAL @ TOP OF TRUSS COLUMNS
 -GRID A/1 THRU GRID P/1-
 **ERECTOR NOTE:
 USE PORCELAIN BACKING BAR

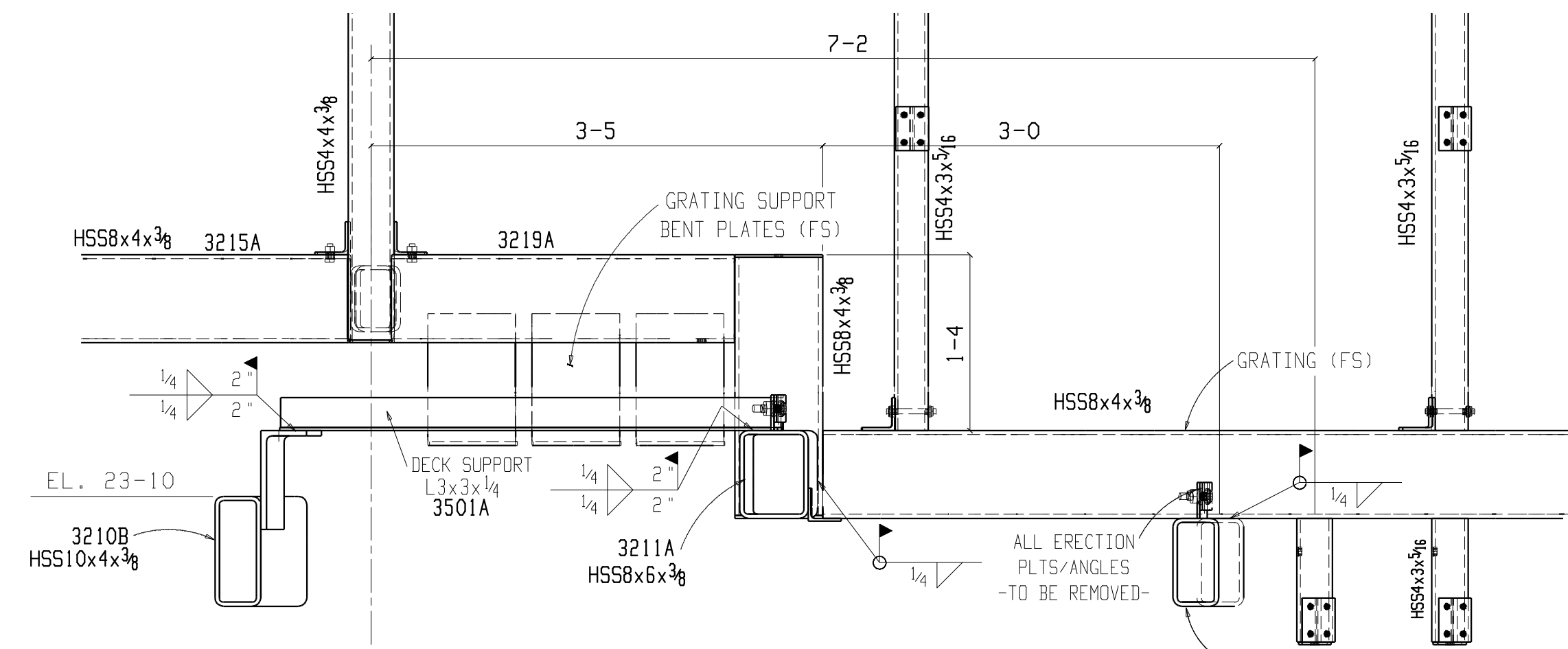


SECTION I

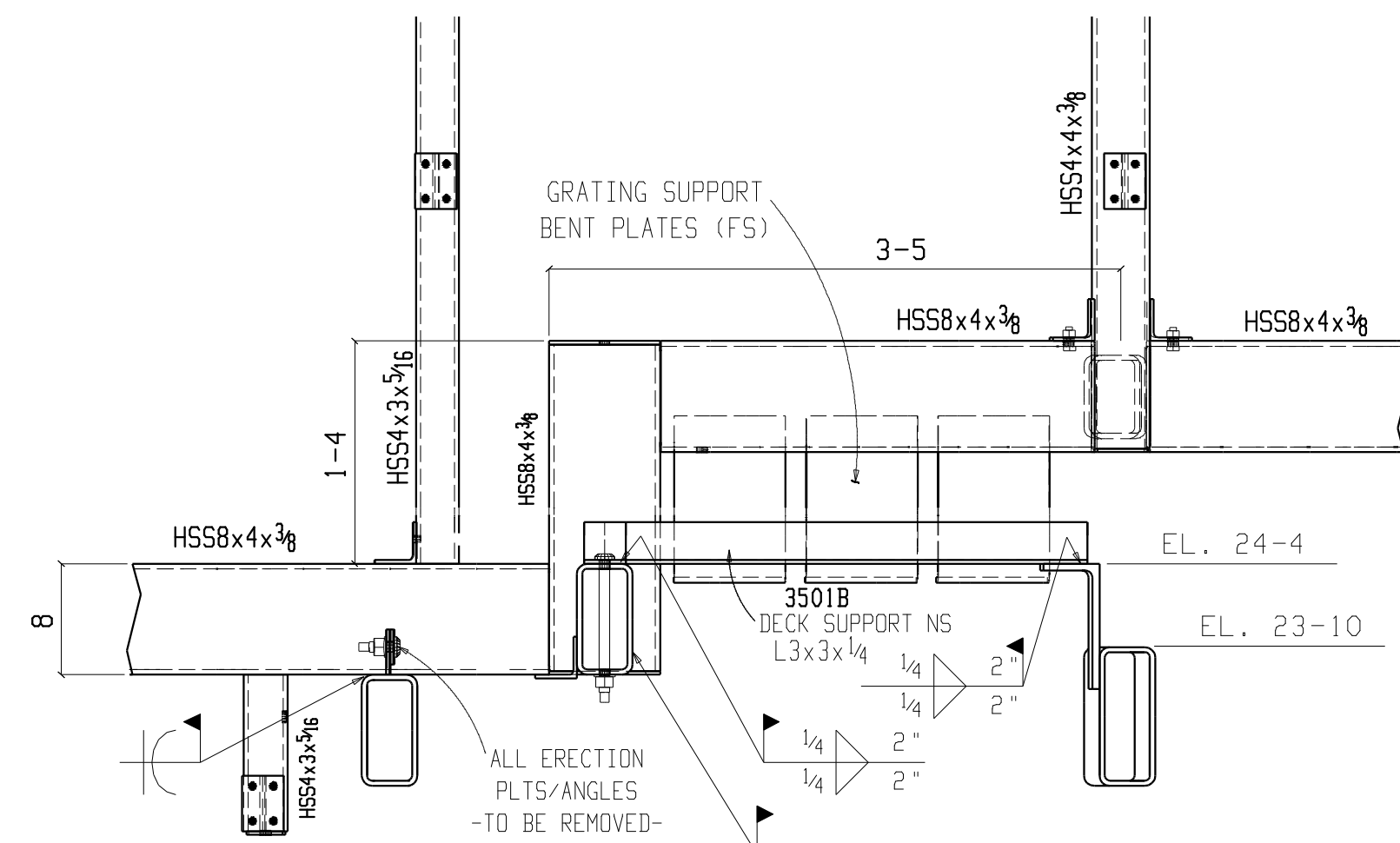
**ERECTOR NOTE:
 USE PORCELAIN BACKING BAR



SECTION J

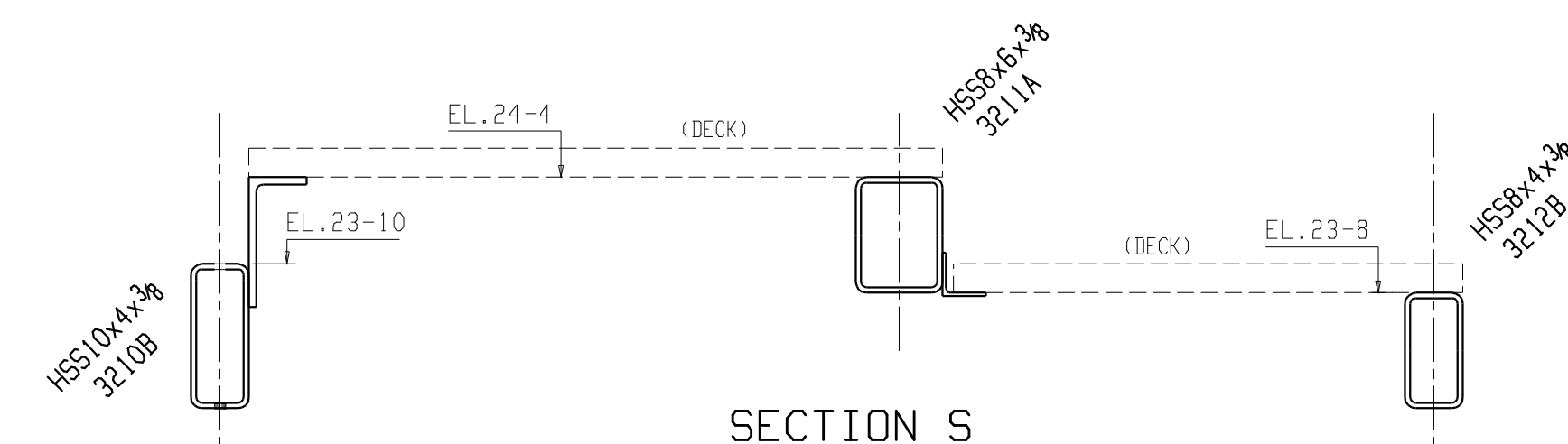


SECTION K

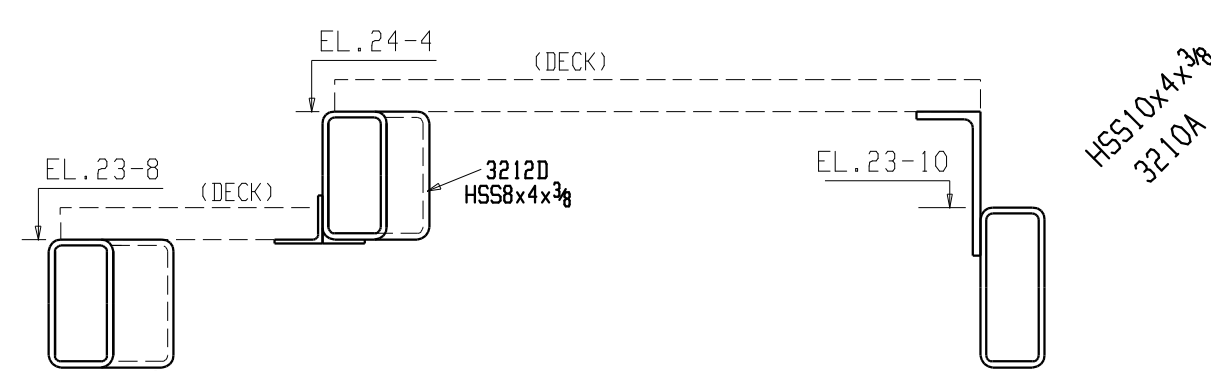


SECTION M

CUT @ RAISED GRATING BETWEEN
 GRID K & J ON LAYOUT PLAN SK-4



SECTION S



SECTION T

GENERAL NOTES:
 1. ANY EXPOSED STEEL MUST HAVE TEMPORARY ERECTION HOLES AND ANGLES REMOVED AND THE STEEL RESTORED TO ITS INTENDED CONDITION.
 2. DRAIN HOLES AND VENT HOLES MUST BE FILLED AFTER WELDING IS FINISHED.

ORANGE COUNTY IRONWORKS LLC
 36 MAYBROOK ROAD MONTGOMERY N.Y. 12549
 845-769-3000

PRINT RECORD			STRUCTURE CONEY ISLAND STEEPLCHASE	
QUANTITY	DATE	COPY	LOCATION BROOKLYN, NEW YORK	
			CONTRACTOR HUNTER ROBERTS CONSTRUCTION GROUP	
			OWNER CITY OF NEW YORK PARKS & RECREATION	
Conns	A36	Unless Noted	ENG. OR ARCH'T ROCKWELL GROUP	
Holes	13/16	Unless Noted	REV	DATE DESCRIPTION
Surf. Prep			1	01-12-12 RELEASED FOR APPROVAL
Paint			2	03-25-12 RELEASED FOR FIELD USE
Made	JPT	Date 12-11-11	3	
Chk'd	KVD	Date 01-12-12	4	
			PROJ NO.	SHEET NO.
			11101	3E3