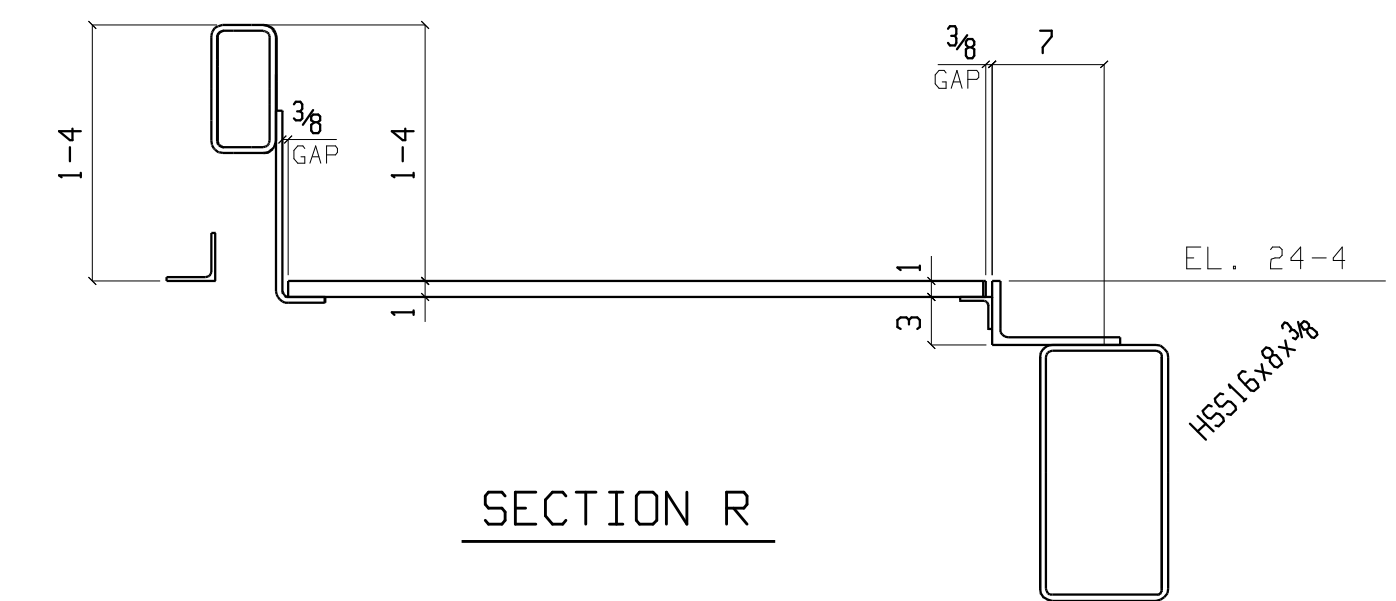


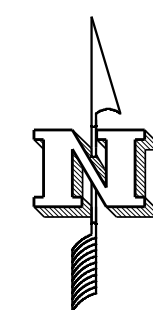
SECTION Q



SECTION R

GRATING PART PLAN

NOTES:
1. TOP OF GRATING ELEVATION = 24'-4"



ORANGE COUNTY IRONWORKS LLC
36 MAYBROOK ROAD MONTGOMERY N.Y. 12549
845-769-3000

PRINT RECORD			STRUCTURE CONEY ISLAND STEEPLCHASE	
QUANTITY	DATE	COPY	LOCATION BROOKLYN, NEW YORK	
			CONTRACTOR HUNTER ROBERTS CONSTRUCTION GROUP	
			OWNER CITY OF NEW YORK PARKS & RECREATION	

Conns. A36 Unless Noted		ENG. OR ARCH'T ROCKWELLGROUP		PROJ. NO.	SHEET NO.
Holes 13/16 Unless Noted	Surf. Prep	REV	DATE		
Paint	JPT	1	01-12-12	RELEASED FOR APPROVAL	11101 3E4
Made	KVD	2	03-25-12	RELEASED FOR FIELD USE	
Chk'd		3			
		4			