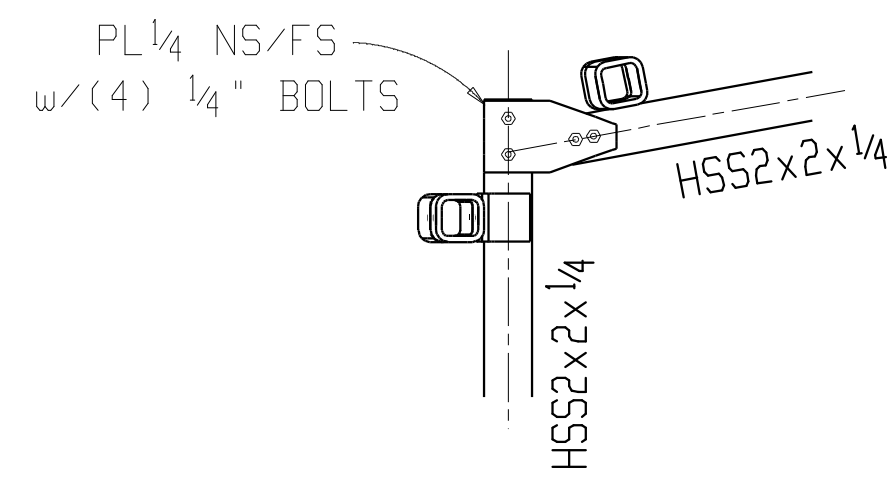
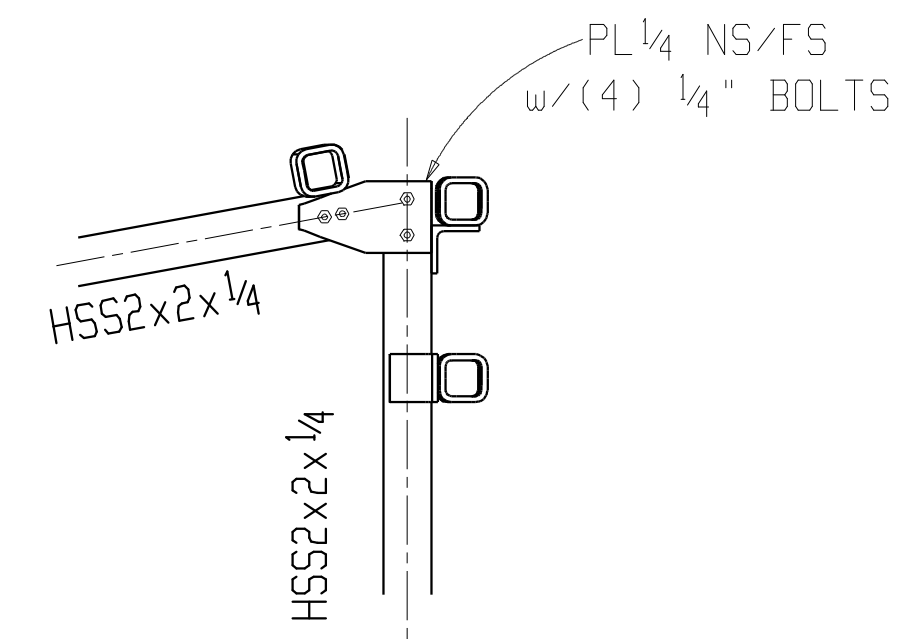


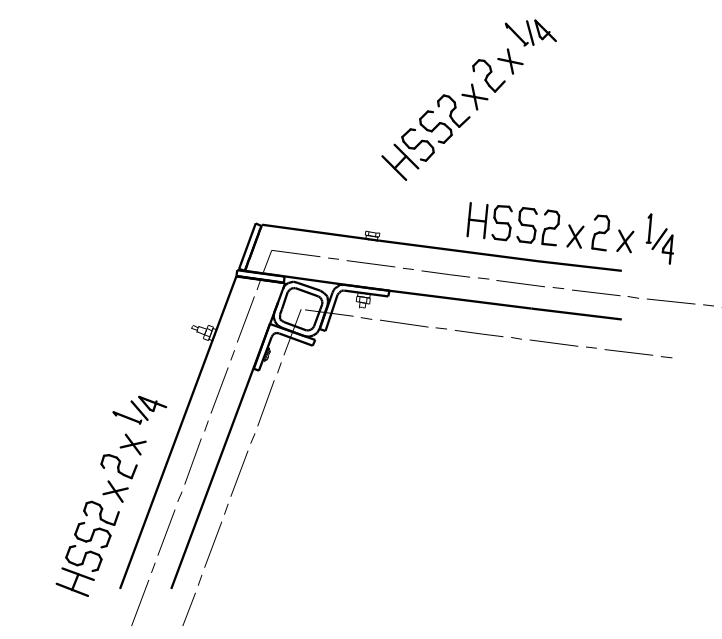
TYPICAL POST/PLATE TO WALL



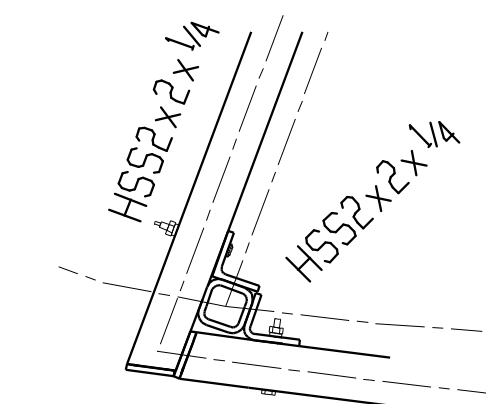
TYPICAL TOP OF COLUMN @ LOW RIDGE



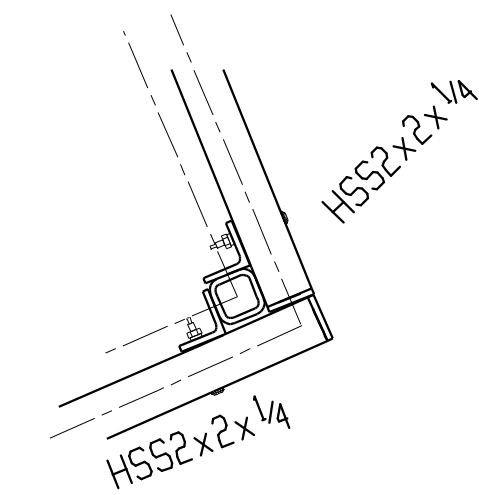
TYPICAL TOP OF COLUMN @ HIGH RIDGE



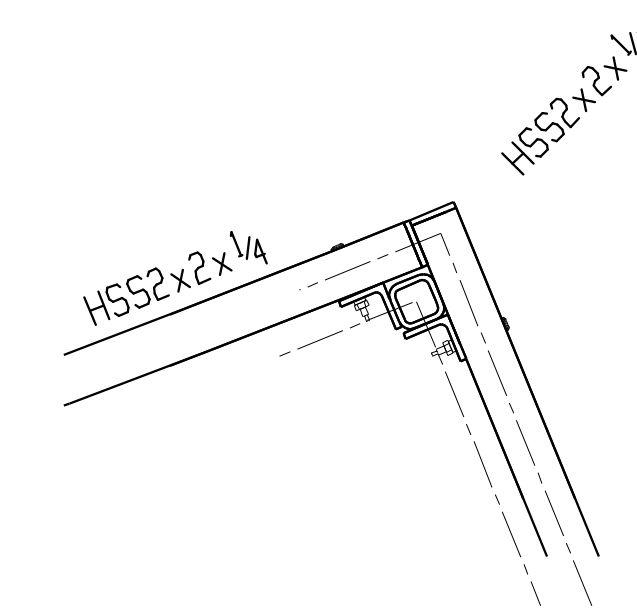
TYPICAL CORNER 2



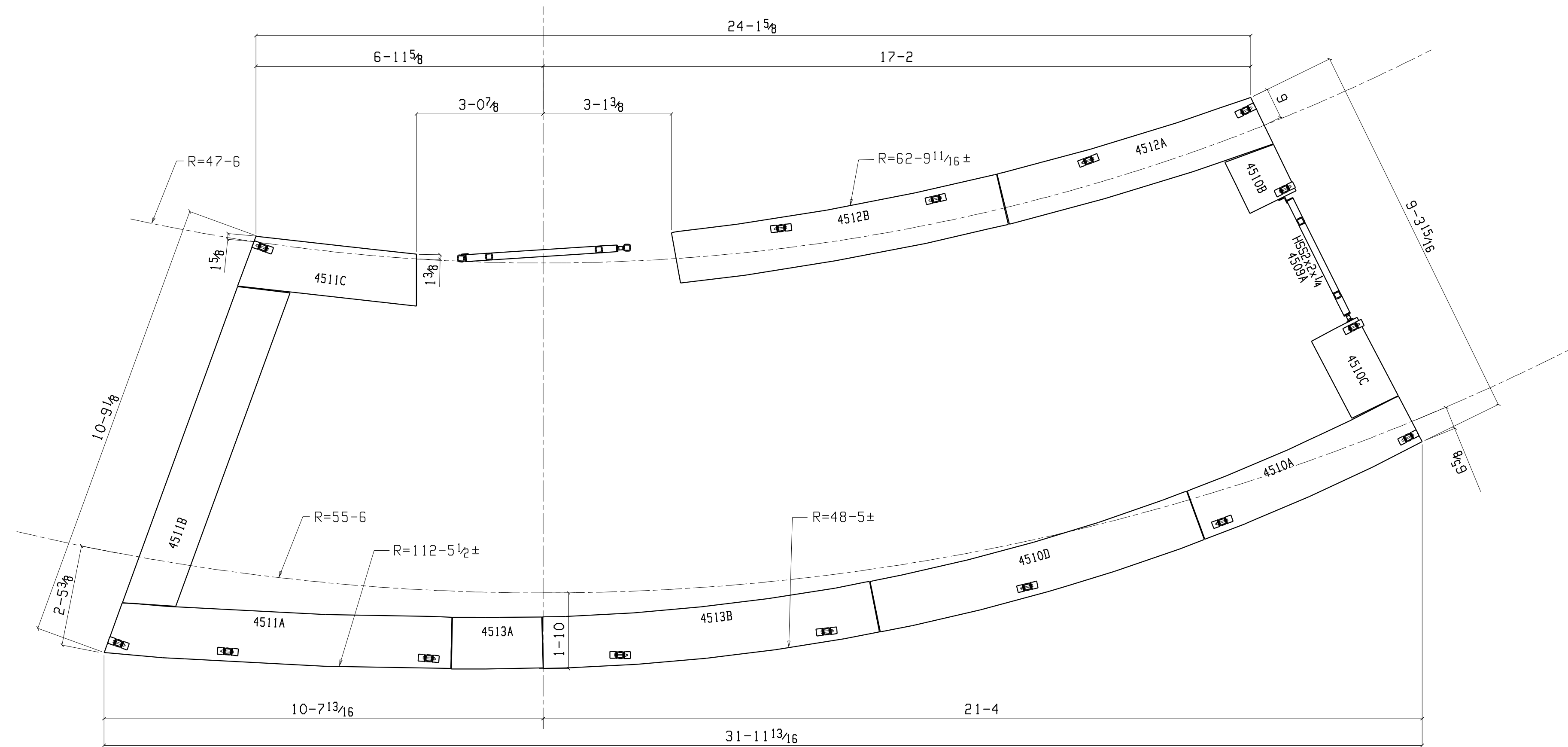
TYPICAL CORNER 1



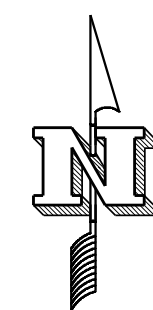
TYPICAL CORNER 3



TYPICAL CORNER 3



ELECTRICAL SHED PLATE FRAMING PLAN



ORANGE COUNTY IRONWORKS LLC					
36 MAYBROOK ROAD MONTGOMERY N.Y. 12549					
845-769-3000					
PRINT RECORD			STRUCTURE CONEY ISLAND STEEPLCHASE		
QUANTITY	DATE	COPY	LOCATION BROOKLYN, NEW YORK		
			CONTRACTOR HUNTER ROBERTS CONSTRUCTION GROUP		
			OWNER CITY OF NEW YORK PARKS & RECREATION		
Conns. A36 Unless Noted			ENG. OR ARCH'T ROCKWELL GROUP		
Holes 13/16 Unless Noted	REV	DATE	DESCRIPTION	PROJ NO.	SHEET NO.
Surf. Prep	1	03-22-12	RELEASED FOR APPROVAL	11101	4E2
Paint	2	11-01-12	RELEASED FOR FIELD		
Made JPT Date 12-15-11	3				
Chk'd JLD Date 03-08-12	4				