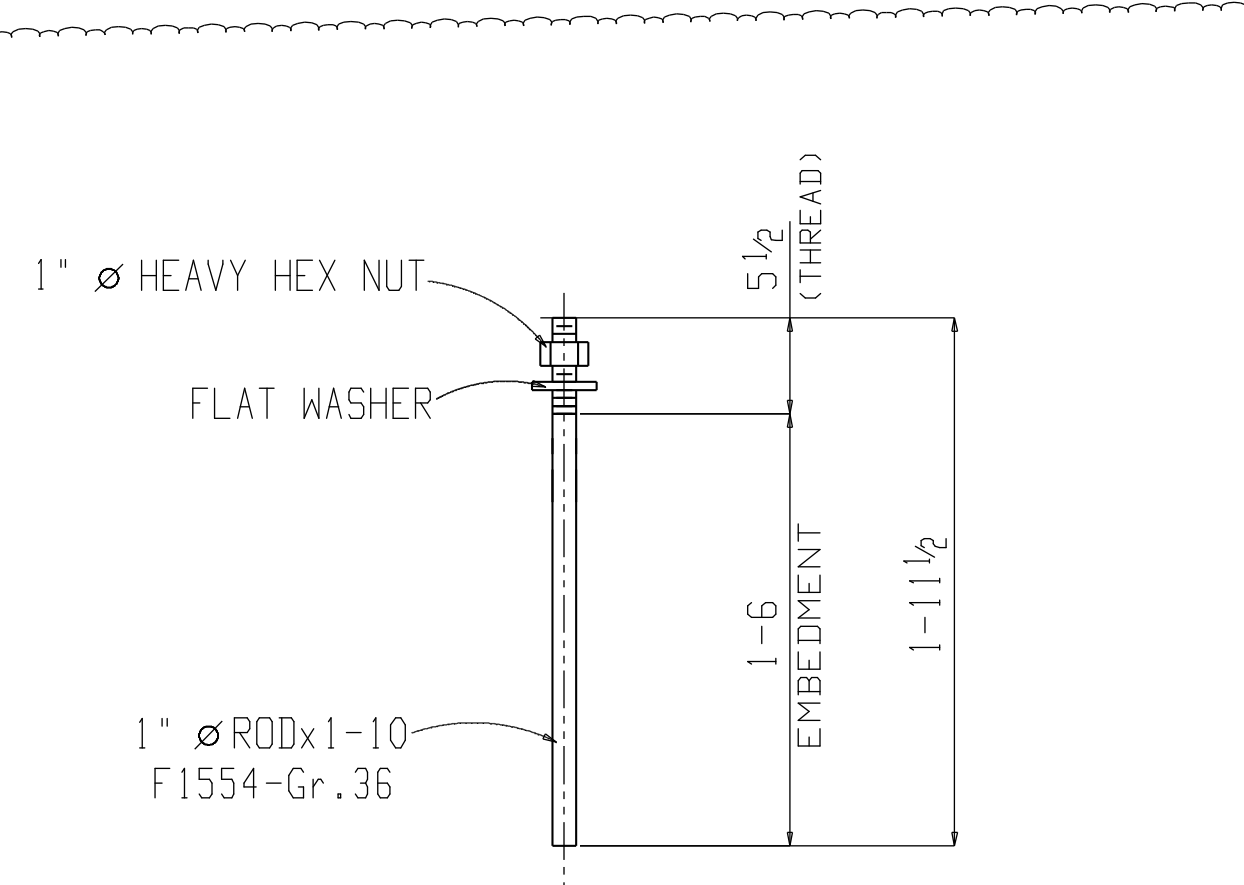


196 ANCHOR BOLTS-AB1

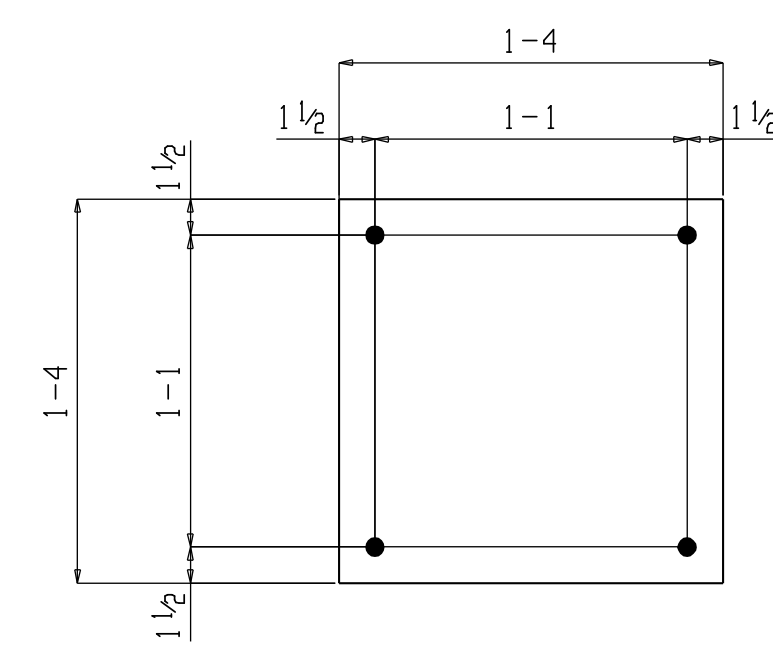
49 SETTINGS W/4 BOLTS



8 ANCHOR BOLTS-AB2

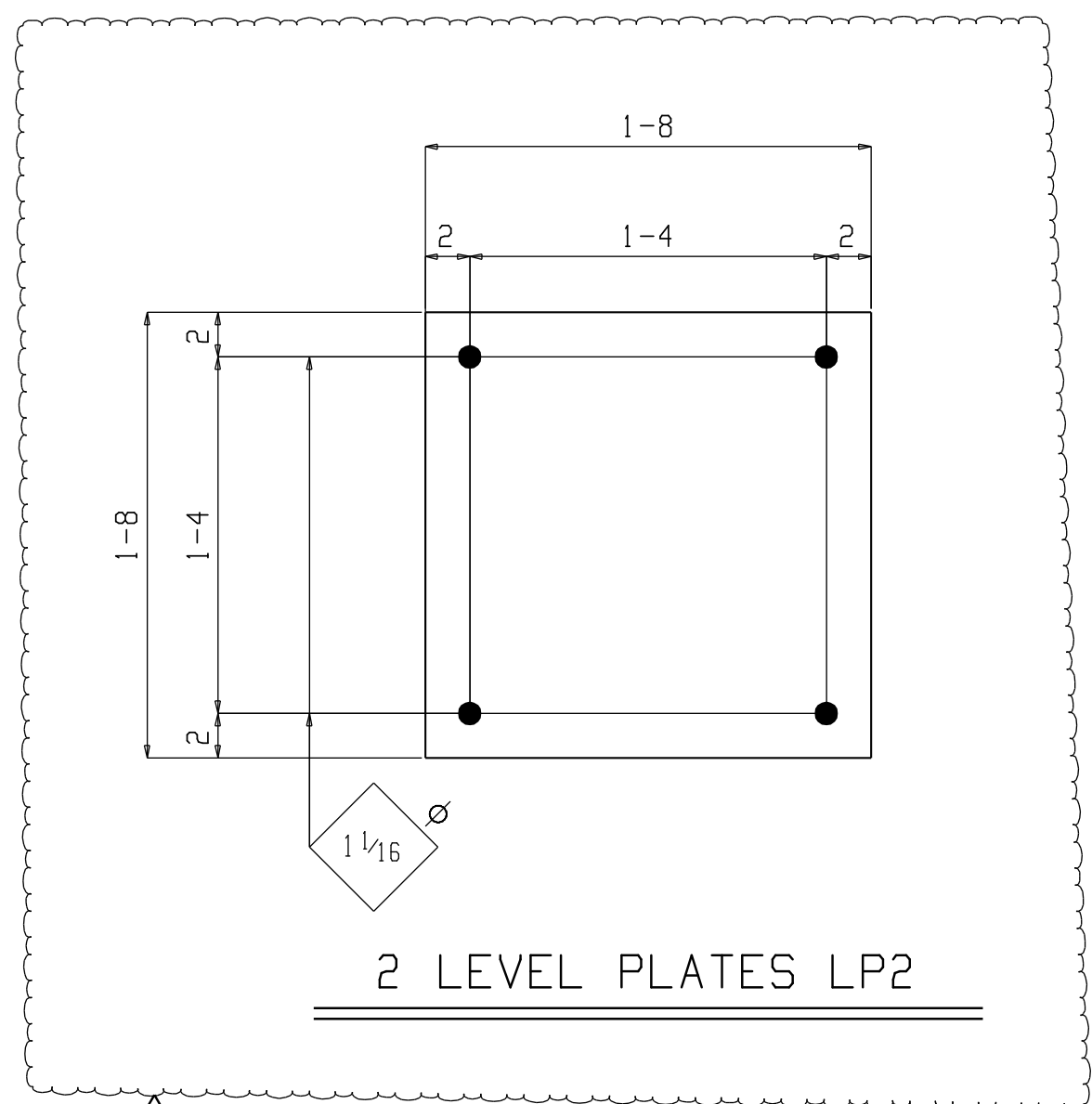
2 SETTINGS W/4 BOLTS

5



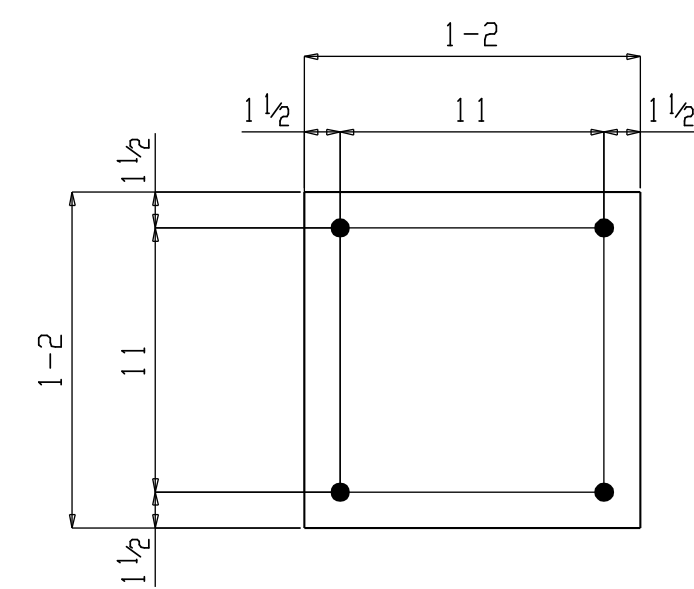
45 LEVELING PLATES LP1

4



2 LEVEL PLATES LP2

5



5 LEVELING PLATES LP3

BILL OF MATERIAL

Quantity	Unit	Description	Mark	Length	Weight	Weight	Remarks	Minor	Steel
Unit	Total				Unit	Total		Mark	Grade
196	ANCHOR BOLT	AB1							
1	196	3/4 Dia THRD ROD		1	11 1/2				F1554-Gr.36
45	LEVELING PLATE	LP1			18	810			
1	45	PL 4x16		1	4	18	810	LP1	A36
2	LEVEL PLATE	LP2			28	56			
1	2	PL 4x20		1	8	28	56	LP2	A36
5	LEVELING PLATE	LP3			14	70			
1	5	PL 4x14		1	2	14	70	LP3	A36
8	ANCHOR BOLT	AB2							
1	8	1 Dia THRD ROD		1	11 1/2				F1554-Gr.36

1. ACCUMULATIVE DIMENSIONS ARE TAKEN FROM THE \odot LINE
2. ALL GAS RE-ENTRANT CUTS WILL HAVE A RADIUS OF $\frac{1}{2}$ " U.N.O.
3. ALL CONN. MAT. A36 (U.N.), PIPE A53, TUBE A500 Gr.B
4. TOLERANCES-AISC UNLESS NOTED
5. DEBURRING OF HOLES IS REQUIRED IF BURR EXCEEDS $\frac{1}{16}$ "
6. \otimes INDICATES SIDE OF PLATE SHOP IS TO PAINT A SPOT ON FOR ERECTION PURPOSES.

ORANGE COUNTY IRONWORKS LLC
 27 STONE CASTLE ROAD ROCK TAVERN N.Y. 12575
 845-564-8421

PRINT RECORD			STRUCTURE 50 NORTH 1st STREET		
QUANTITY	DATE	COPY	LOCATION BROOKLYN, NY		
			CONTRACTOR WTC CONSTRUCTION		
			OWNER		
Conns	Unless Noted	ENG. OR ARCH'T	ALAN PATRICK BRUTON		
Holes	$\frac{1}{16}$ Unless Noted	REV	DATE	DESCRIPTION	PROJ NO. SHEET NO.
Paint	NO PAINT	1	03-03-08	RELEASED FOR APPROVAL	8011 AB2
Made	LRH Date 03-03-08	2	03-14-08	RELEASED FOR FIELD	
Chk'd	JPT Date 03-08-08	3	05-01-08	REVISED & RELEASED FOR FAB	
		4	06-02-08	ADDED 1 LP1	